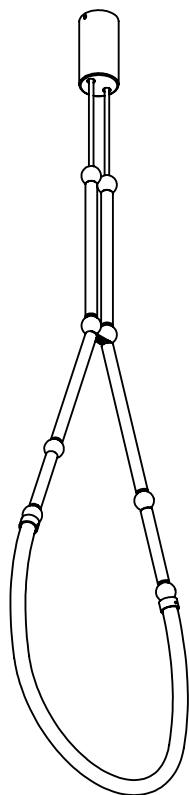
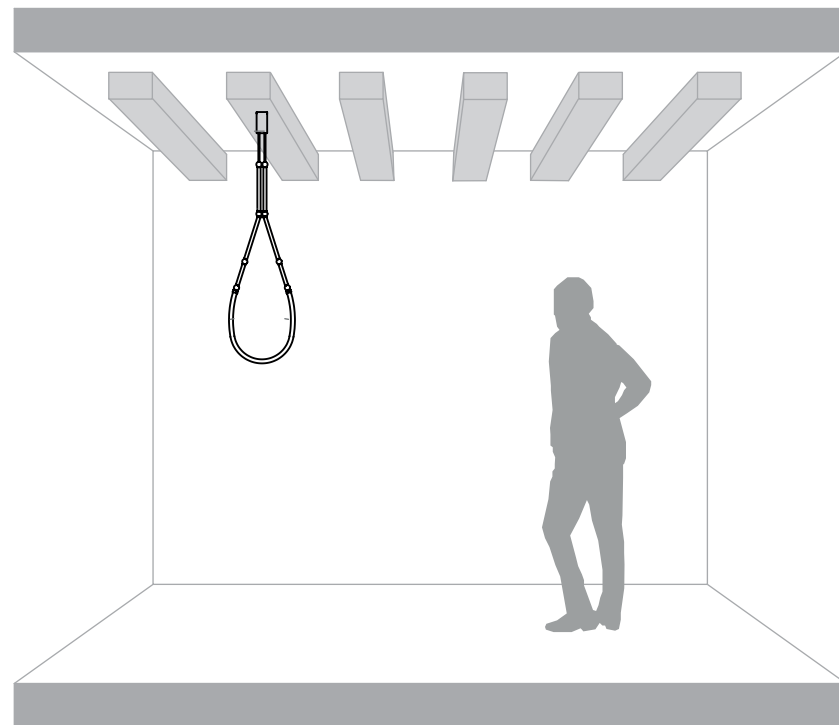


# Leda



# KARMAN

SE293 AN V11  
SE293 AO V11



Karman srl

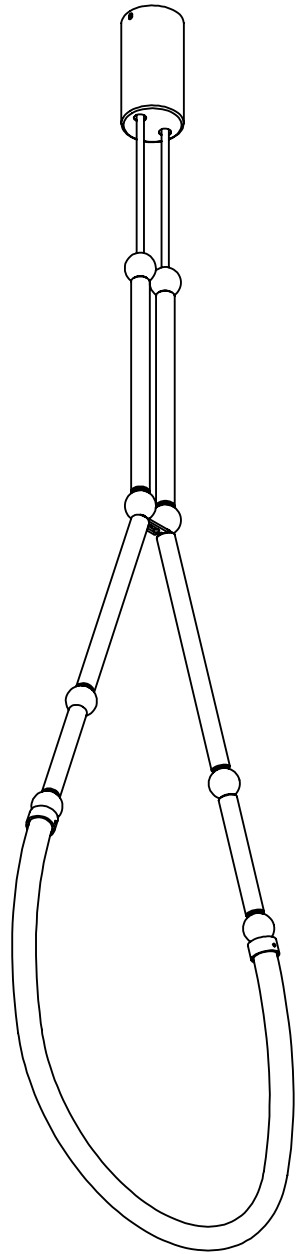
Via A. Grandi, San Martino del piano, 61034 Fossombrone (PU), Italy  
p.iva 02175640412 tel +39 0721 71 5042 r.a fax +39 0721 716640 - [www.karmanitalia.it](http://www.karmanitalia.it)

**110-120 V.**  
**LED 24V 14,4W**  
**3000 K°**

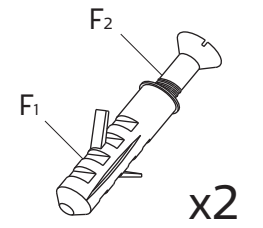
**DRY LOCATION**



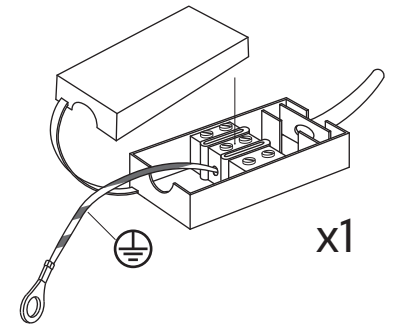
# C - 01



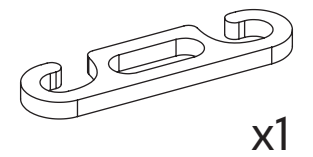
F



M



G



# Junction Box

