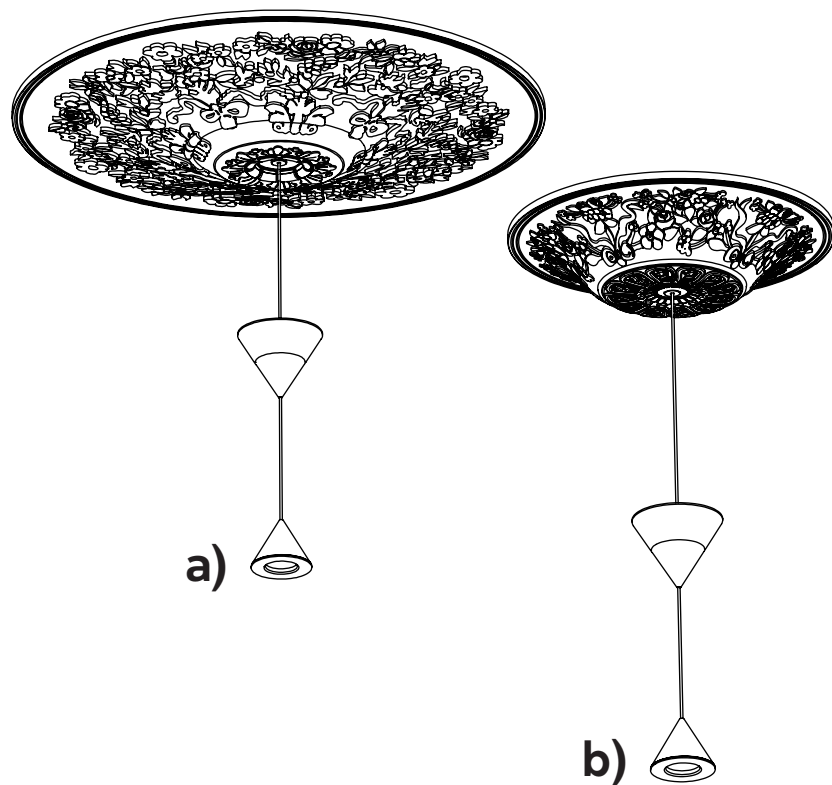


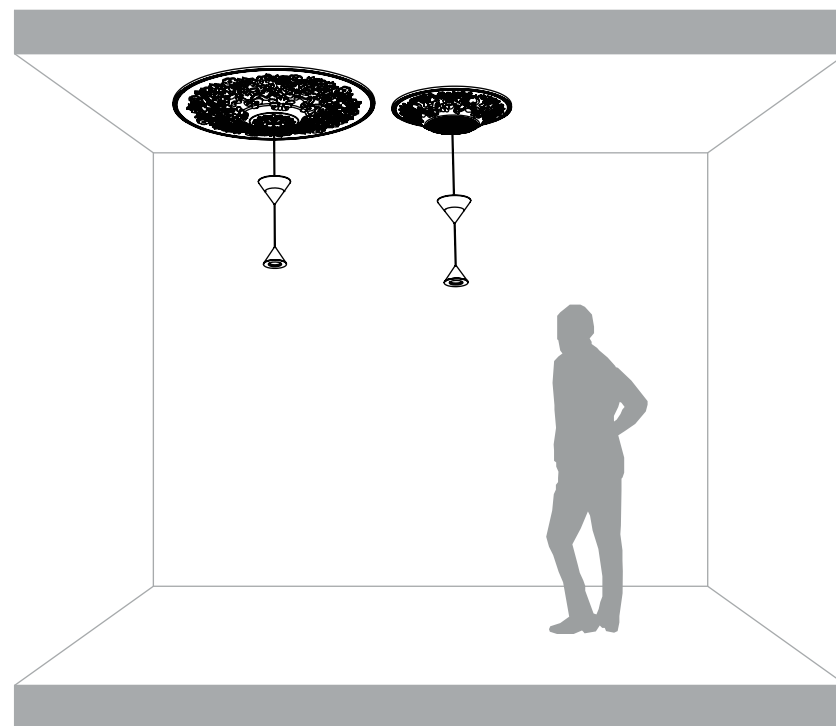
Moonbloom



KARMAN

SE256 1B V11
SE256 2B V11
SE256 3B V11
SE256 4B V11

SE256 5B V11
SE256 6B V11
SE256 7B V11
SE256 8B V11



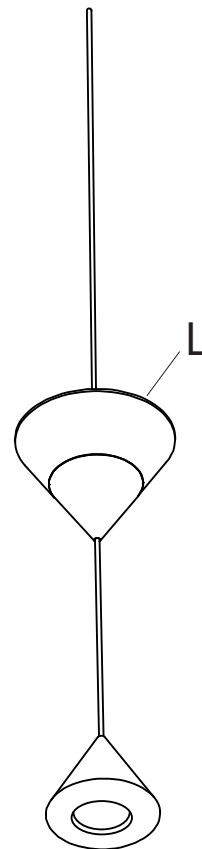
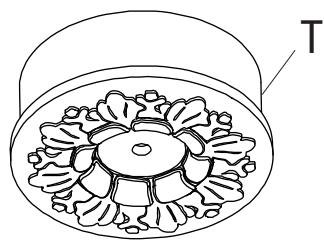
Karman srl

Via A. Grandi, San Martino del piano, 61034 Fossombrone (PU), Italy
p.iva 02175640412 tel +39 0721 71 5042 r.a fax +39 0721 716640 - www.karmanitalia.it

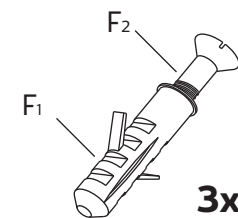
110 V.
led 16,8W top
led 8,4W bottom

DRY LOCATION

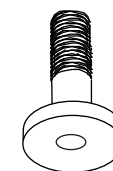
C - 01



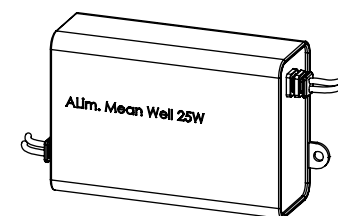
F

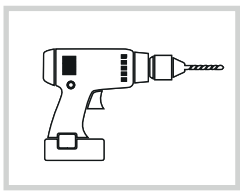
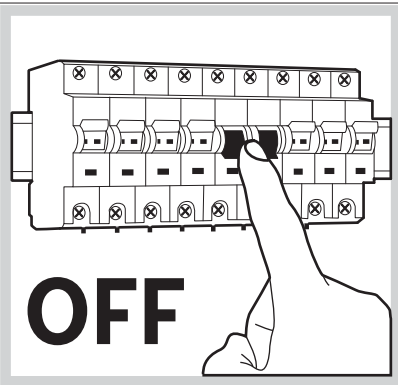


B

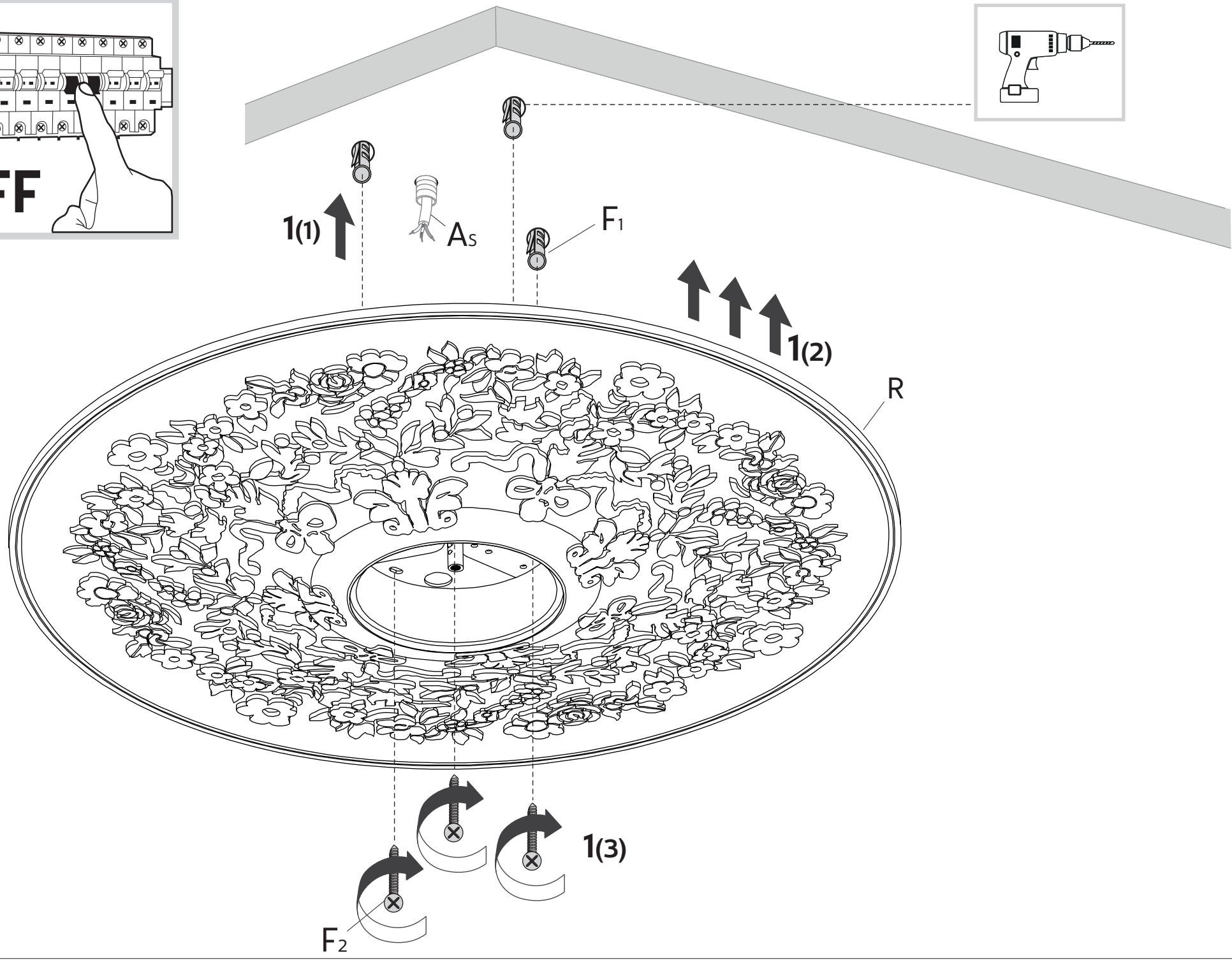


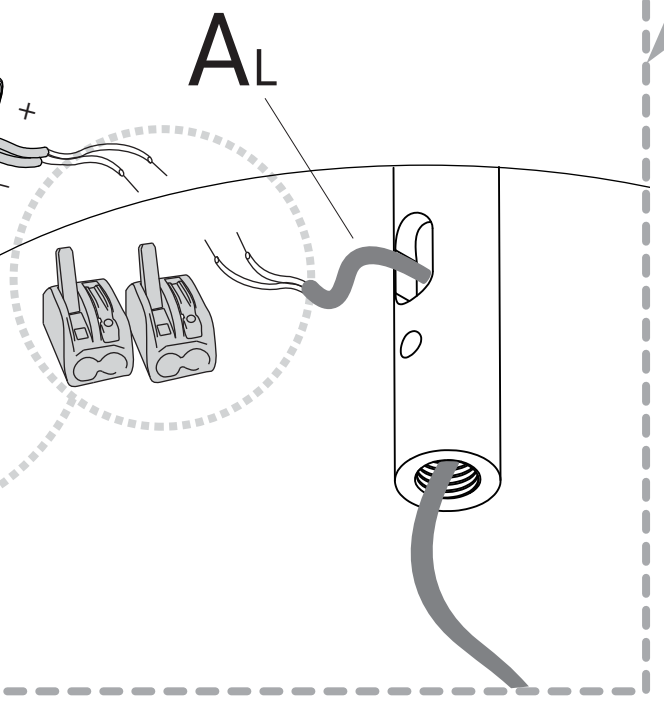
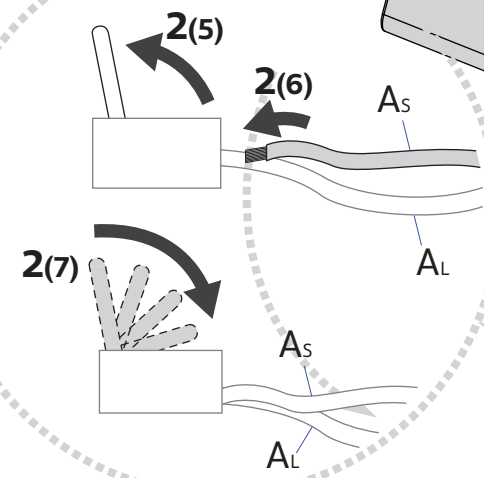
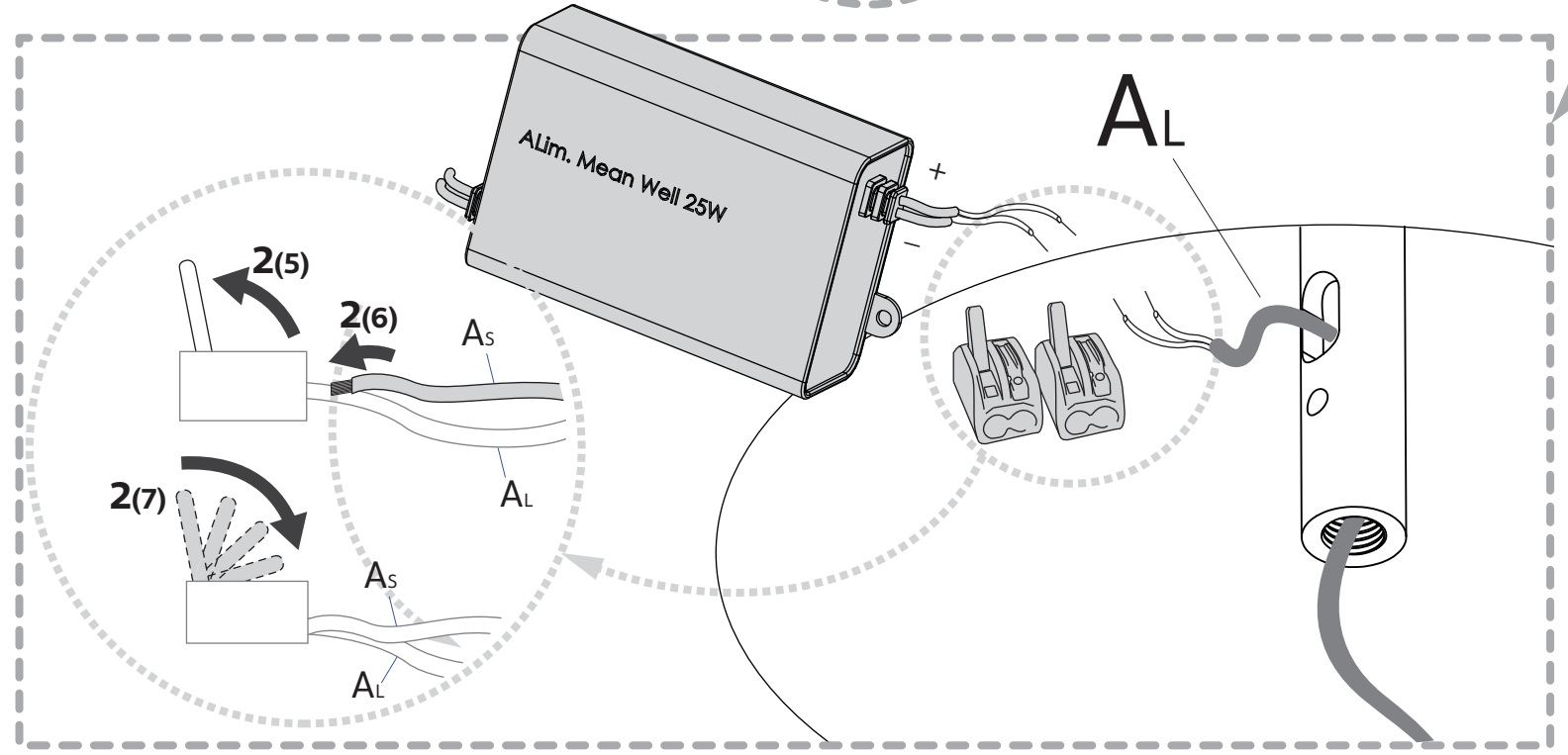
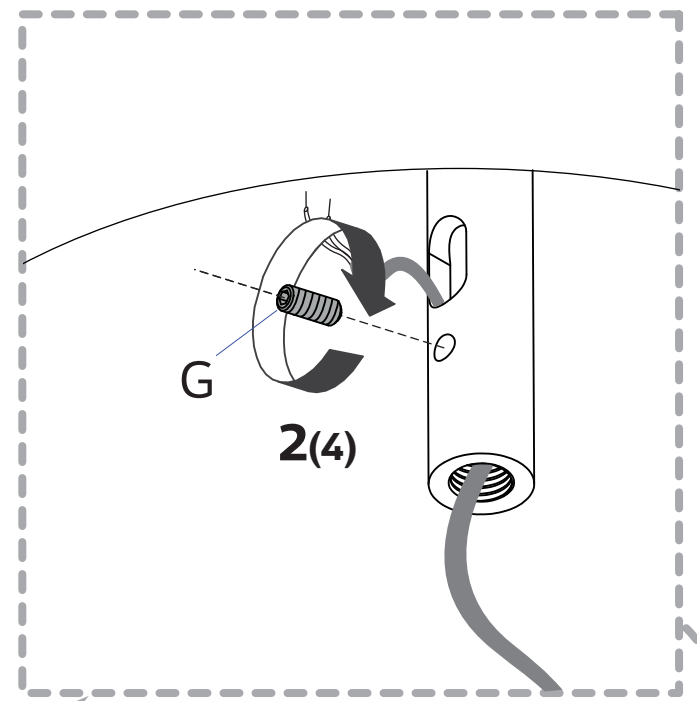
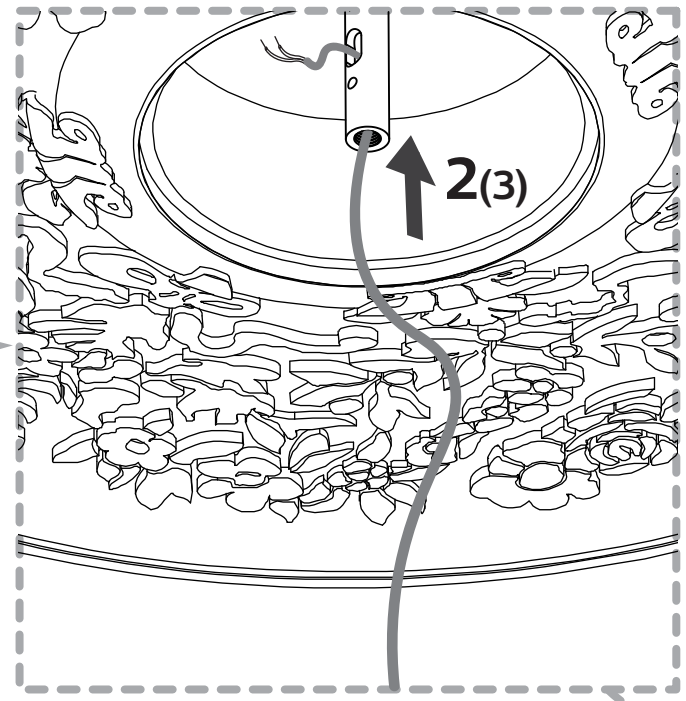
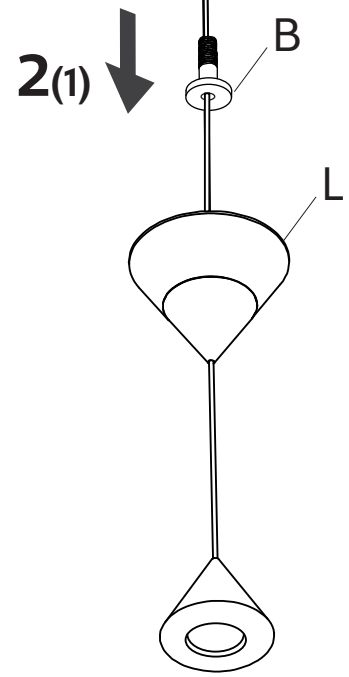
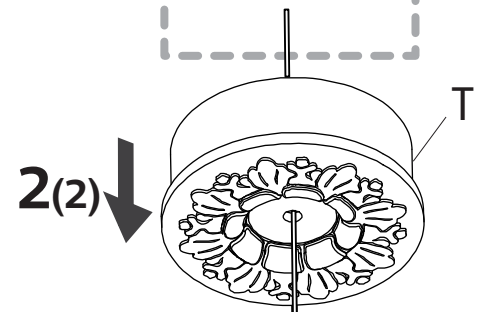
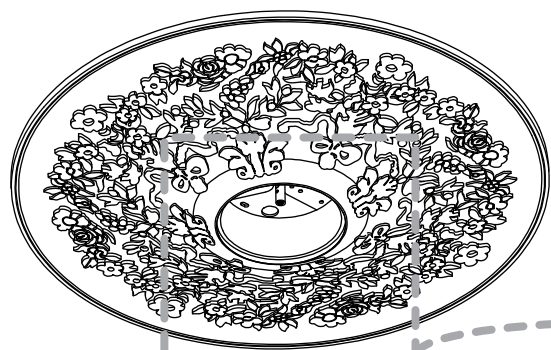
A

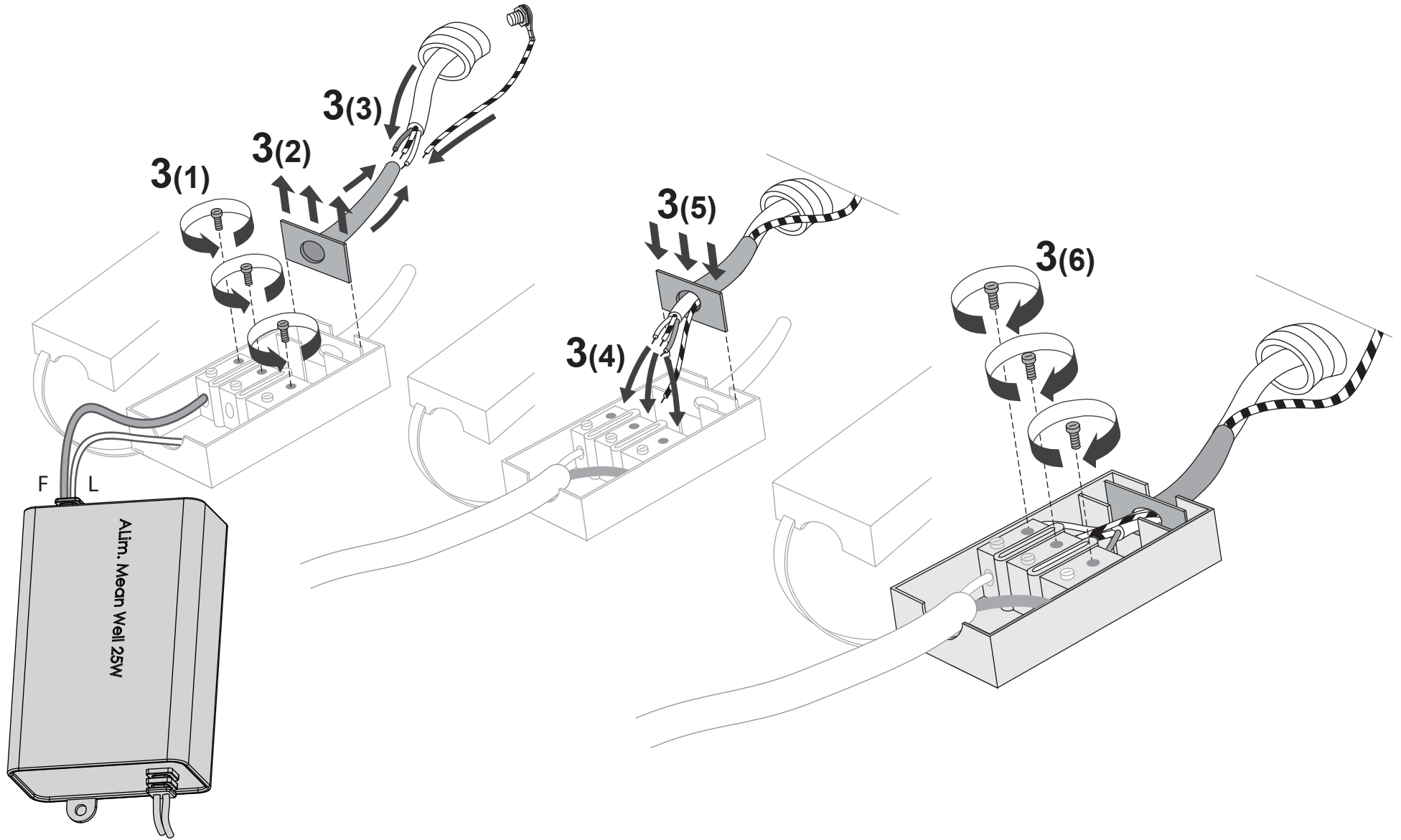


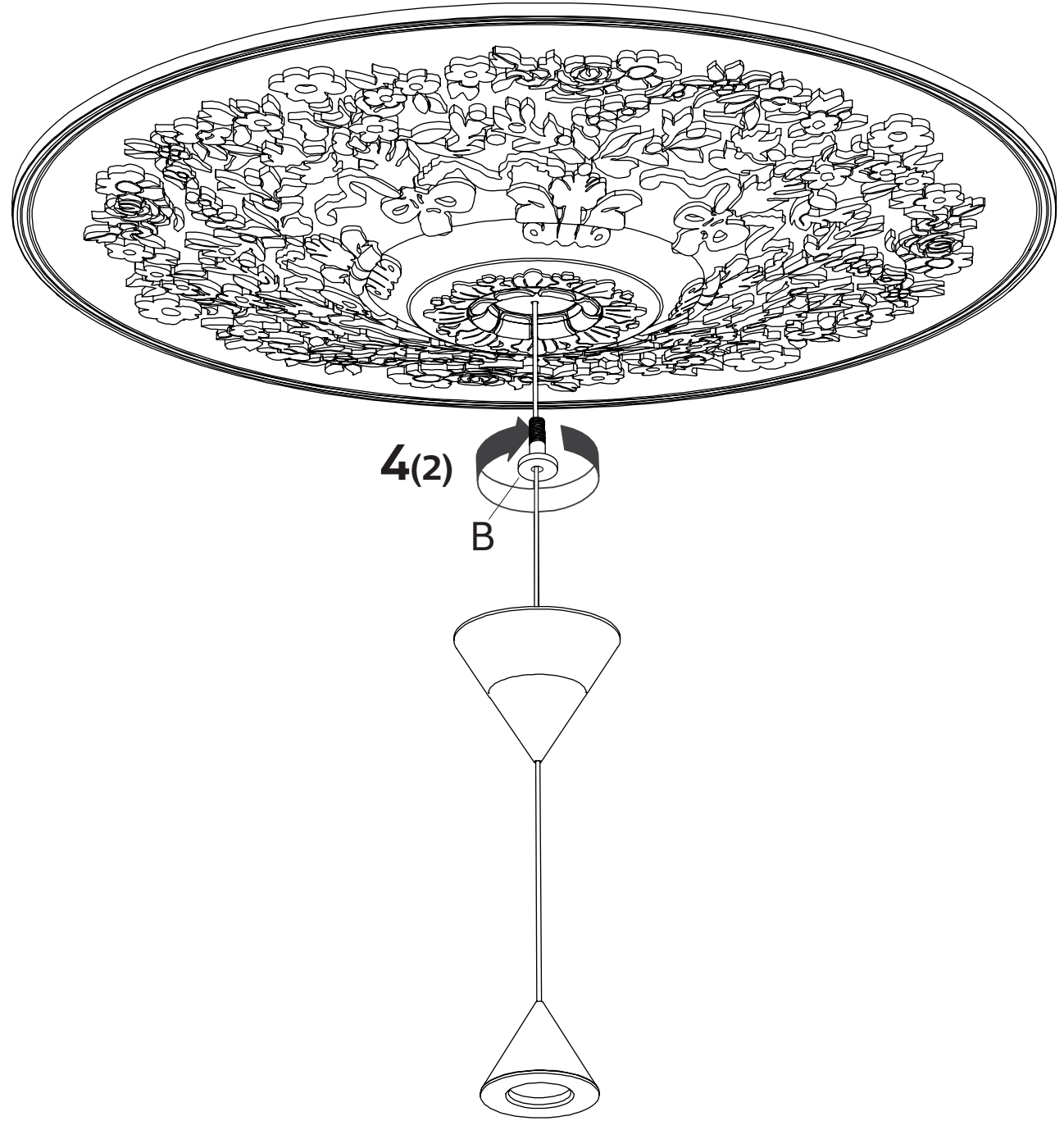
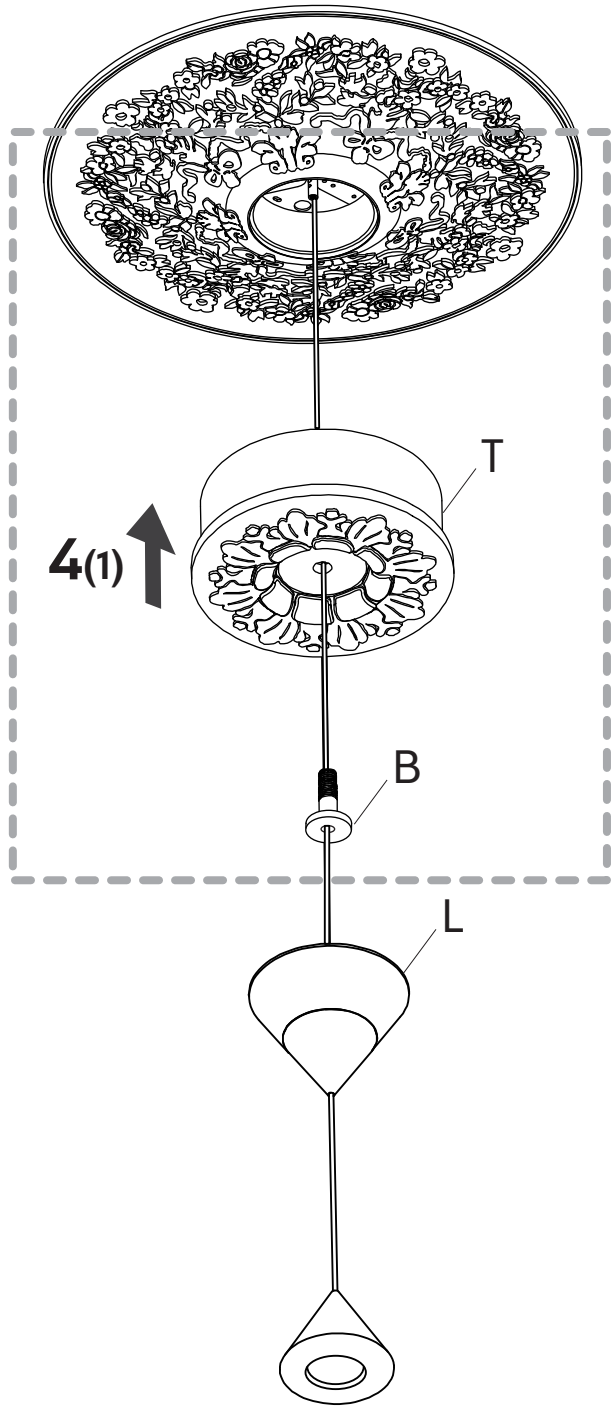


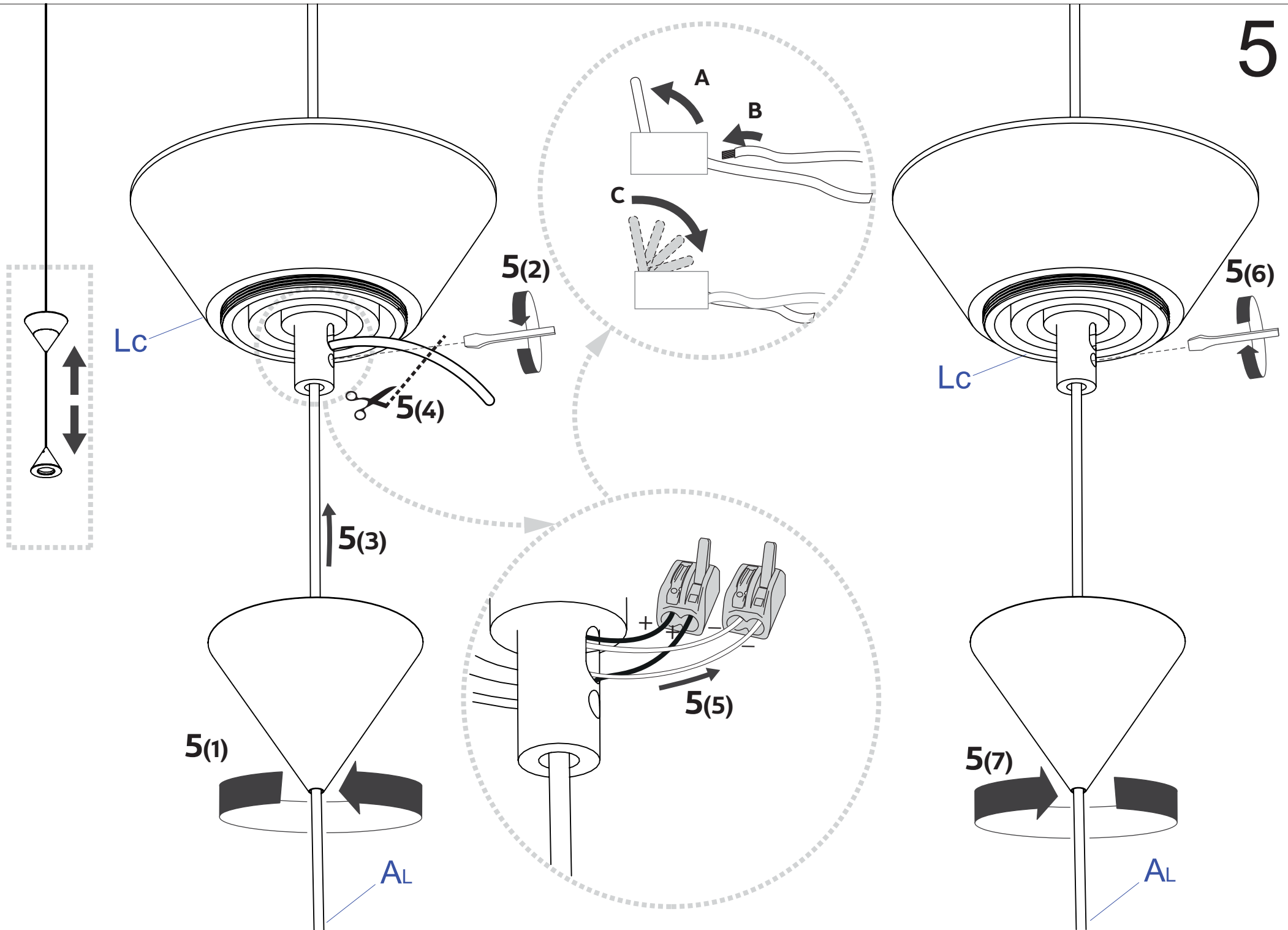
1

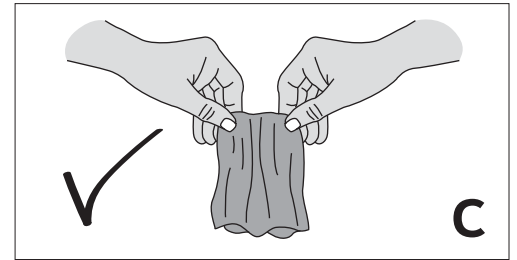
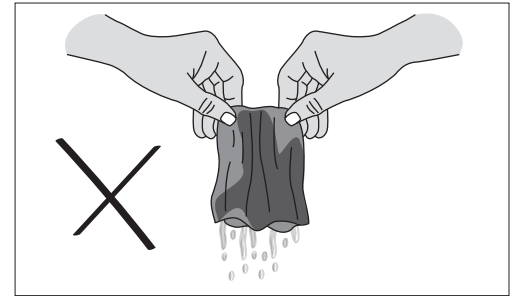
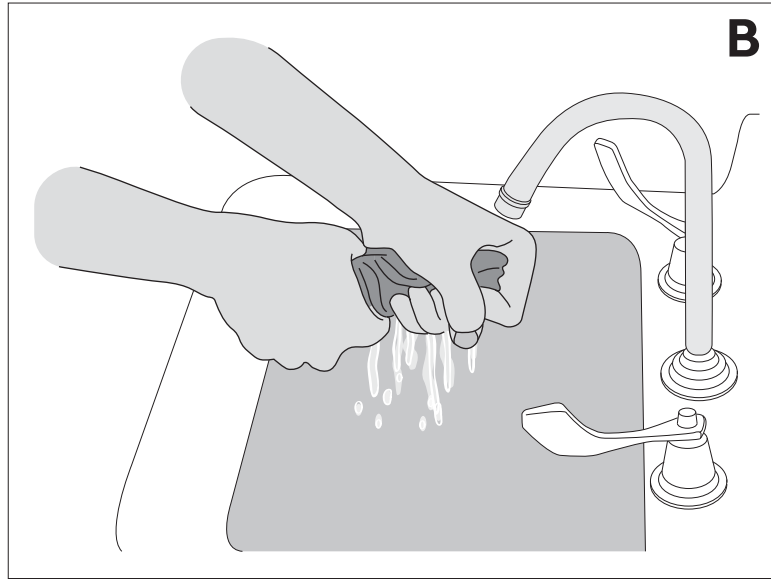












chemical agents

chemical agents

alcohol

