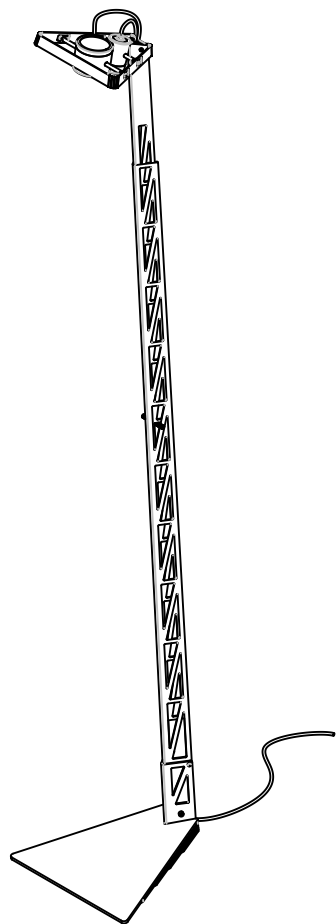
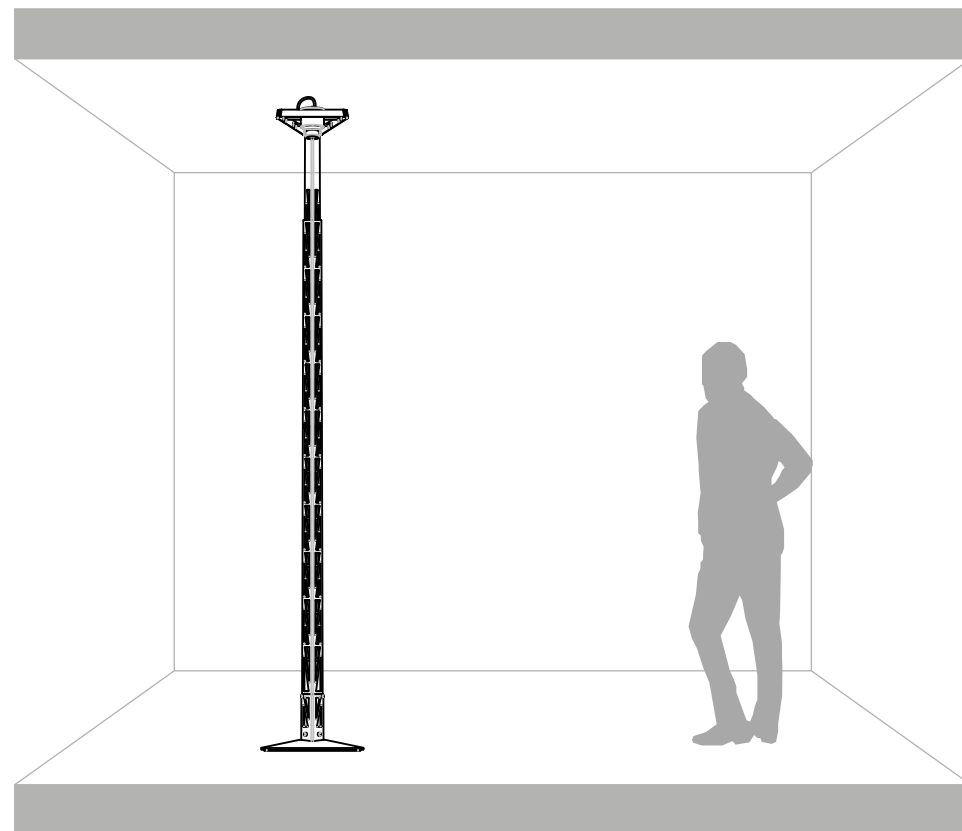


Fireman



KARMAN

HP268 1N V11 3000K
HP268 2N V11 2700K



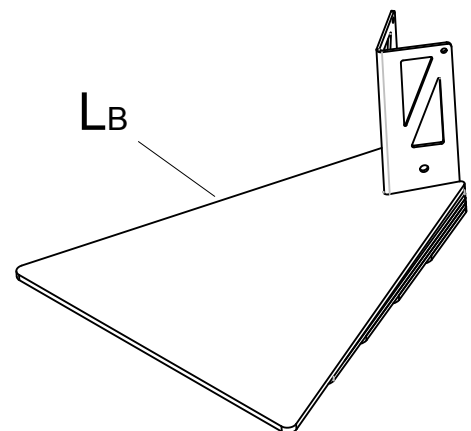
Karman srl

Via A. Grandi, San Martino del piano, 61034 Fossombrone (PU), Italy
p.iva 02175640412 tel +39 0721 71 5042 r.a fax +39 0721 716640 - www.karmanitalia.it

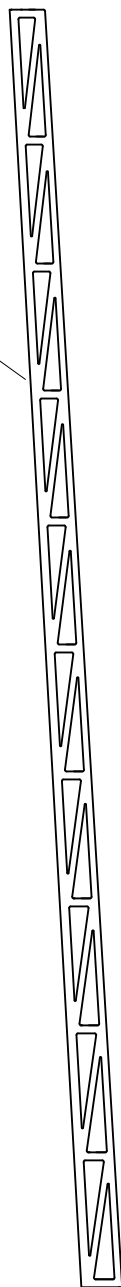
24V
Led 24V 8,4+16,8W

DRY LOCATION

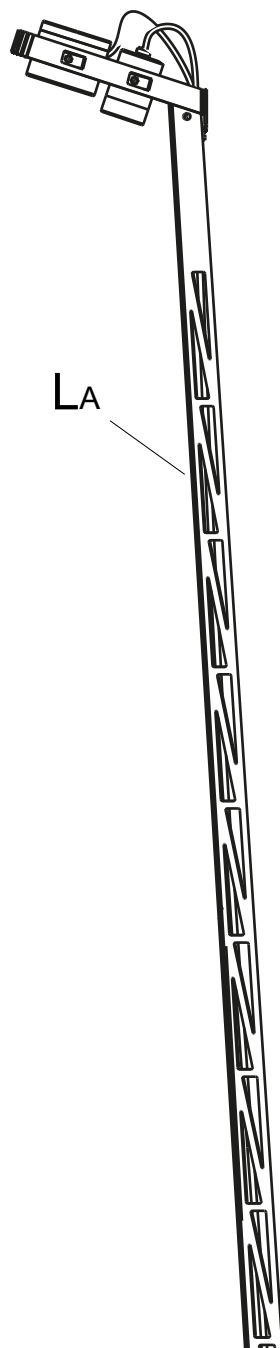
C - 01



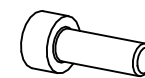
LC



LA



V



4x

R



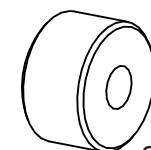
2x

B



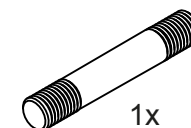
2x

T

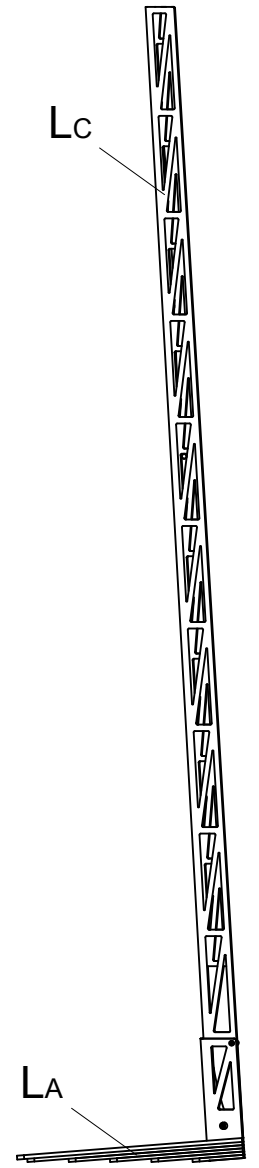
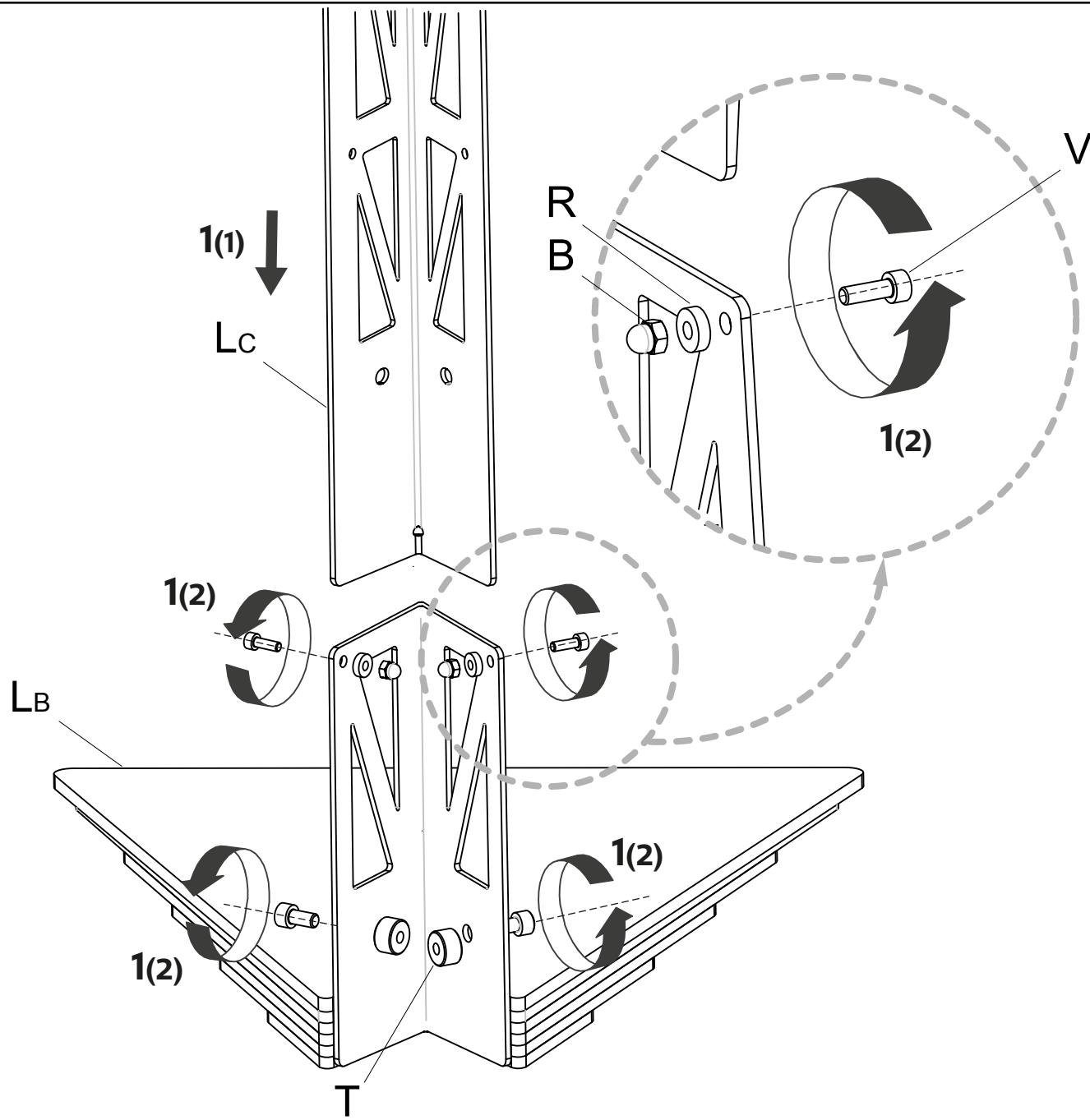


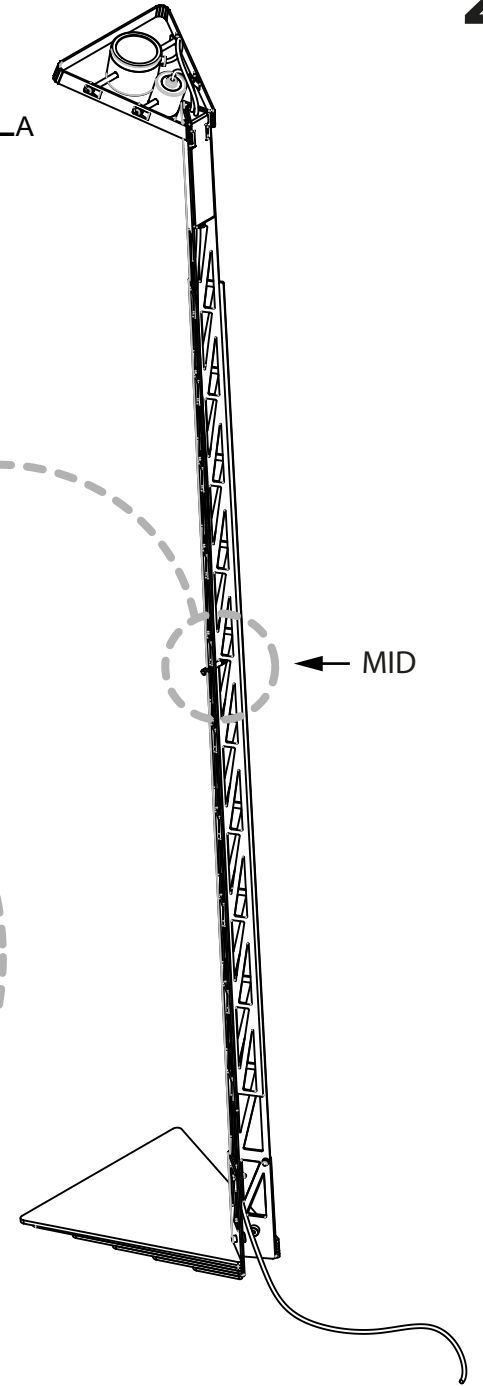
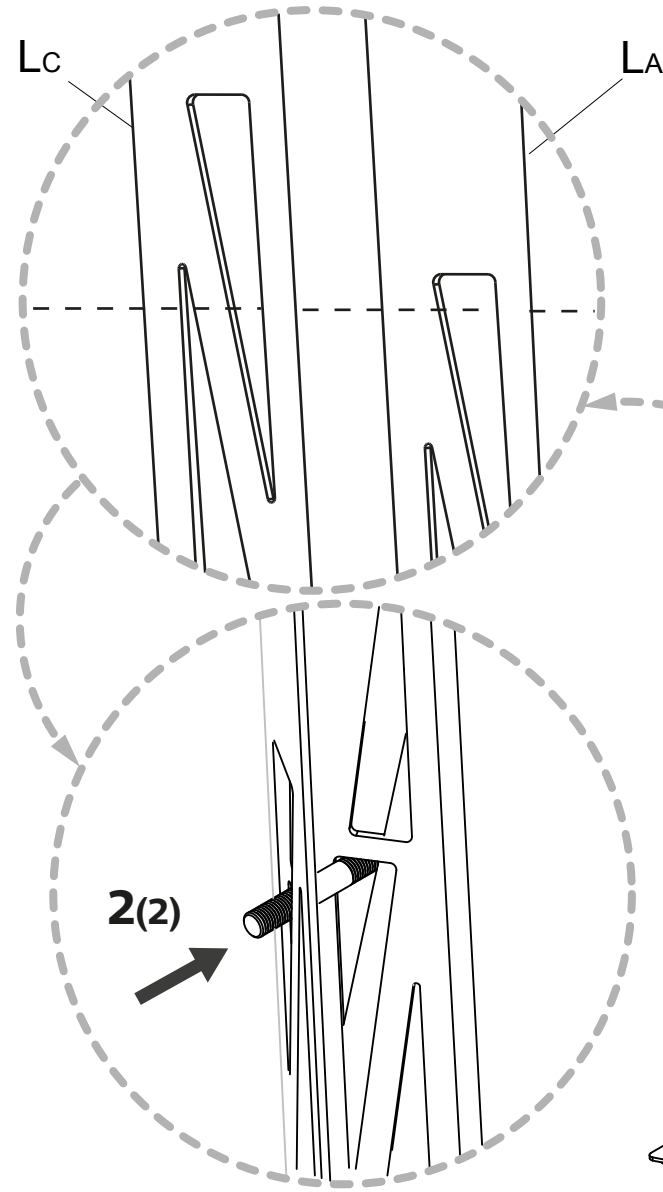
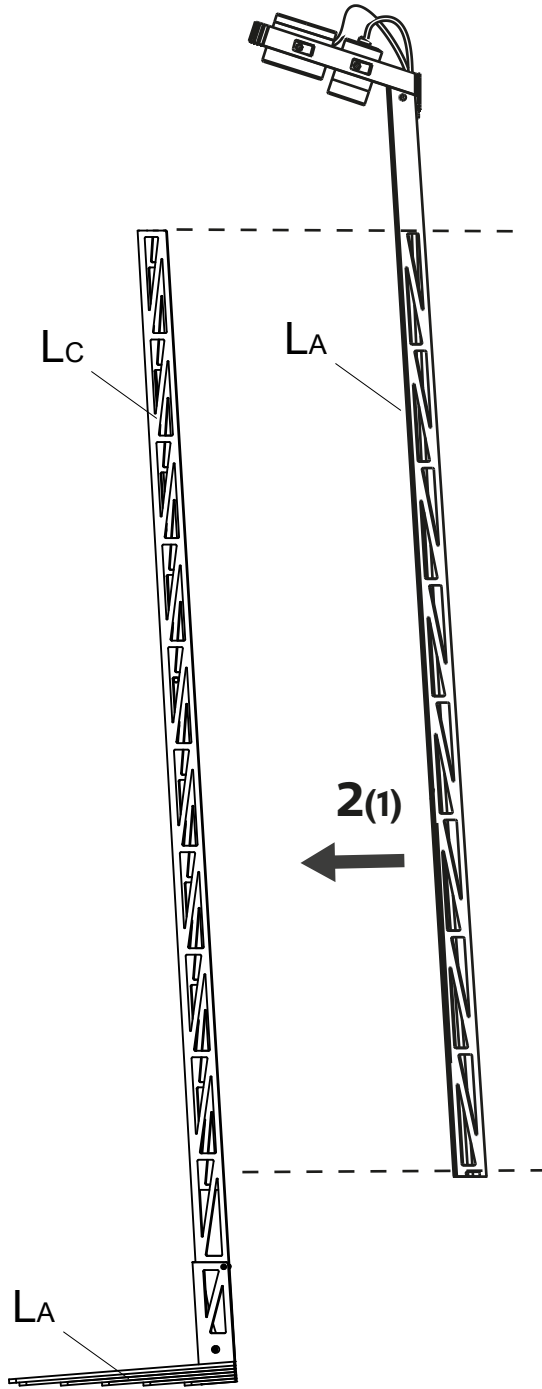
2x

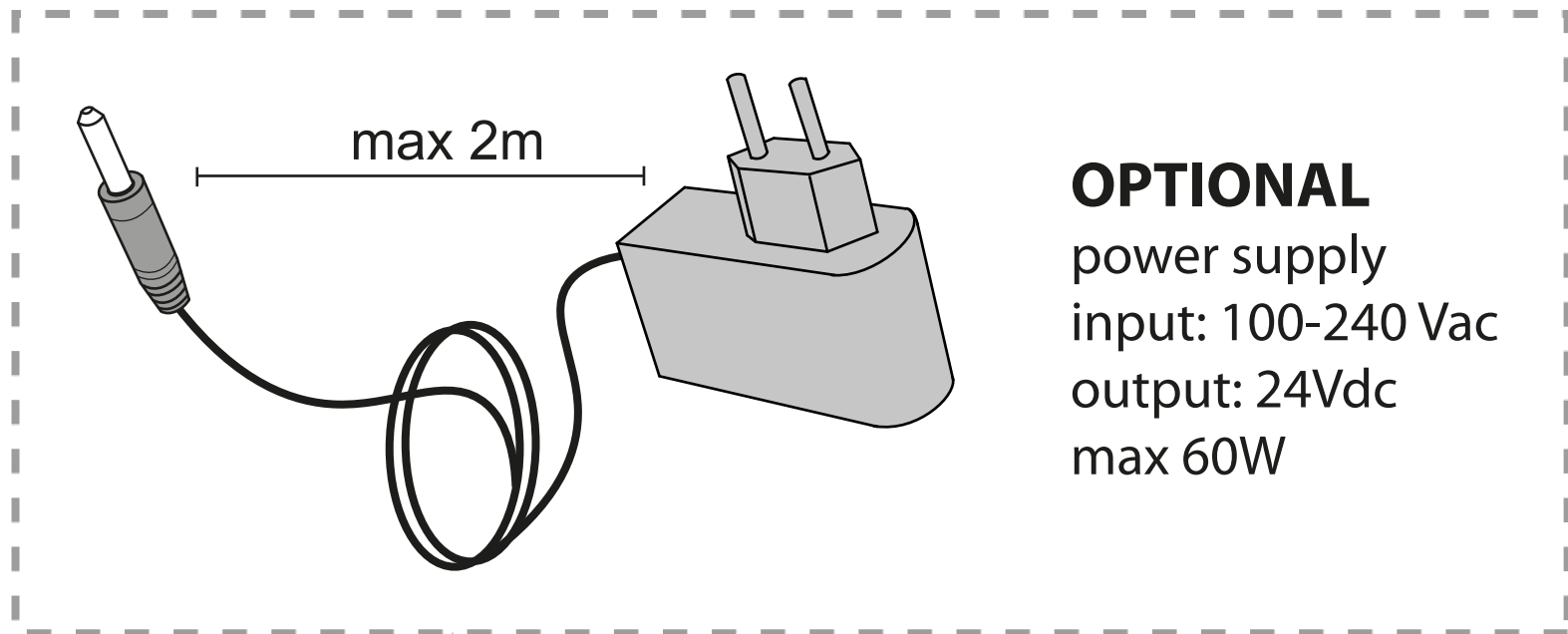
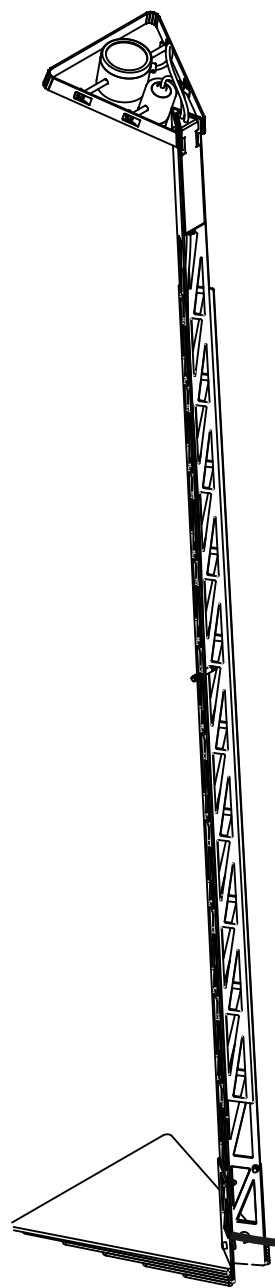
F



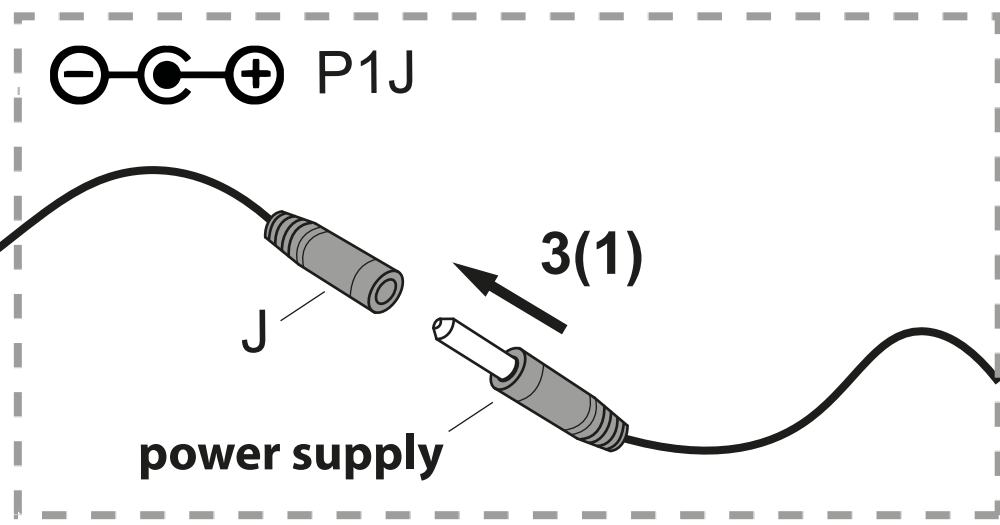
1x







OPTIONAL
power supply
input: 100-240 Vac
output: 24Vdc
max 60W

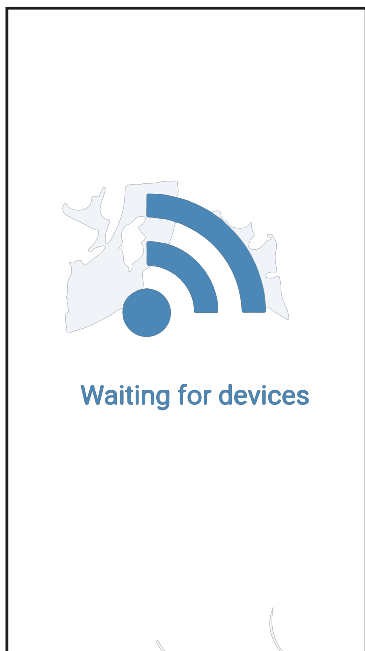


Scaricabile su google play store or app store apple
(Downloadable via google play store or app store apple)

3

“KARMAN - bluetooth controller”

(a)



attiva bluetooth
(activate bluetooth)

(b)



impostazioni
(setting)

(c)



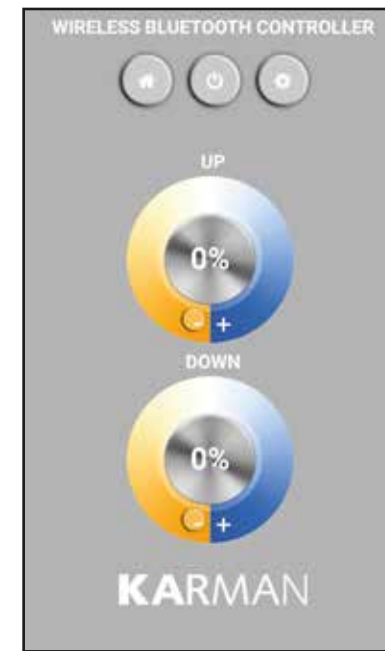
rinomina
(rename)

(d)



seleziona lampada
(select lamp)

(e)



controlla lampada
(check lamp)

