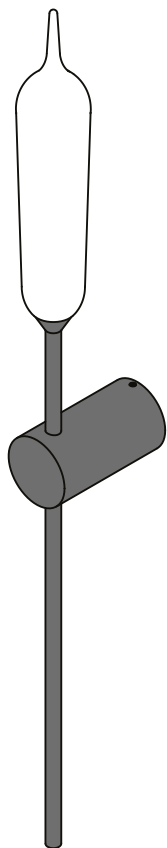
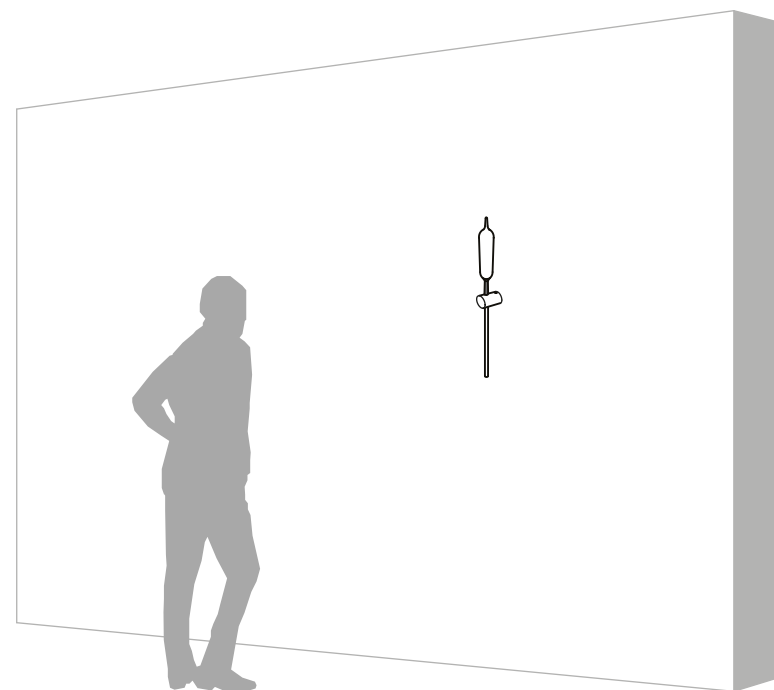


# Nilo



# KARMAN

AP211 PN V1E



Karman srl

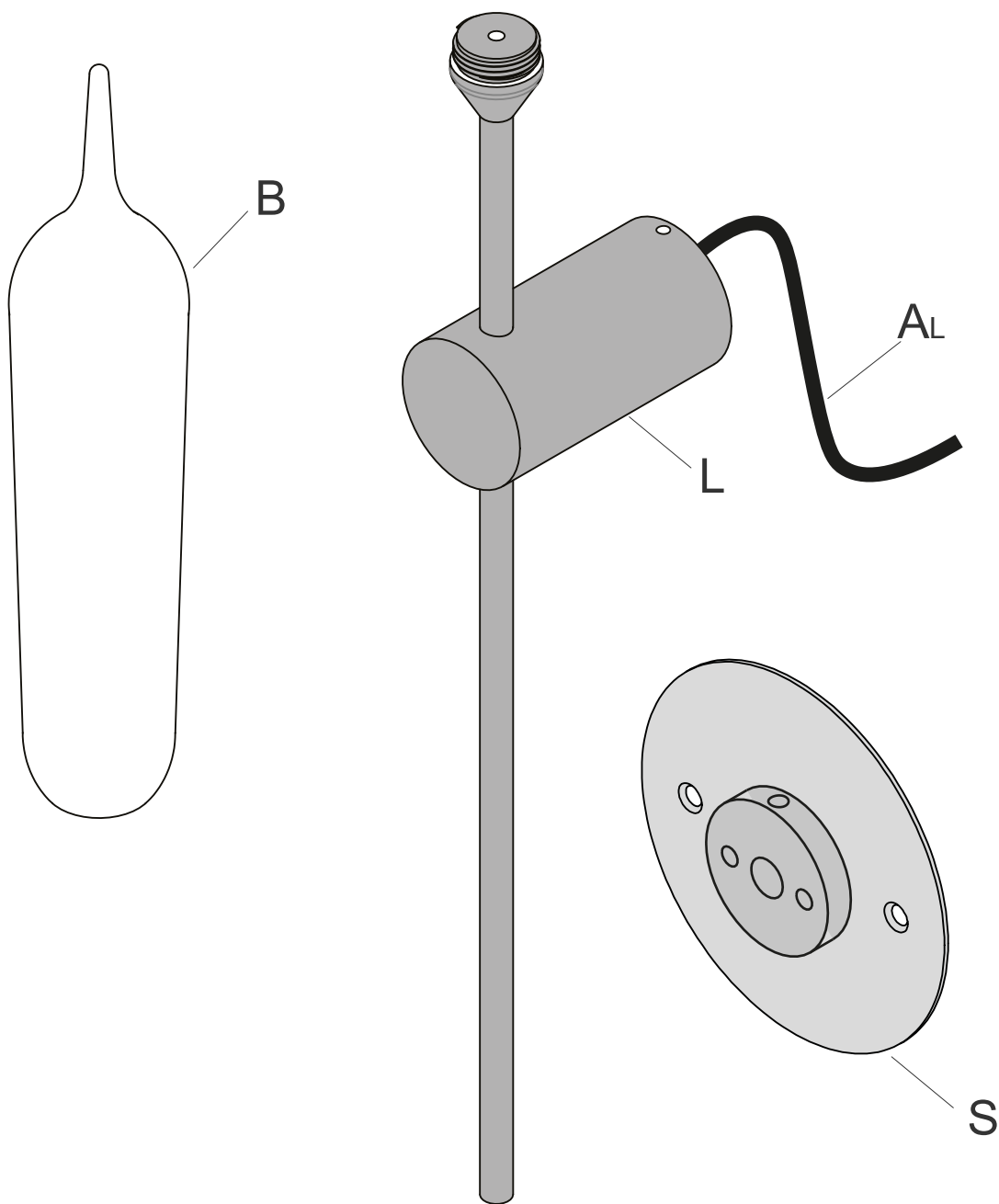
Via A. Grandi, San Martino del piano, 61034 Fossombrone (PU), Italy  
p.iva 02175640412 tel +39 0721 71 5042 r.a fax +39 0721 716640 - [www.karmanitalia.it](http://www.karmanitalia.it)

110-120 V.  
1x led 3,2W

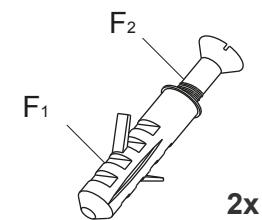
DAMP LOCATION



C - 01



F



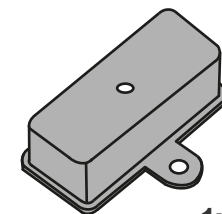
2x

G

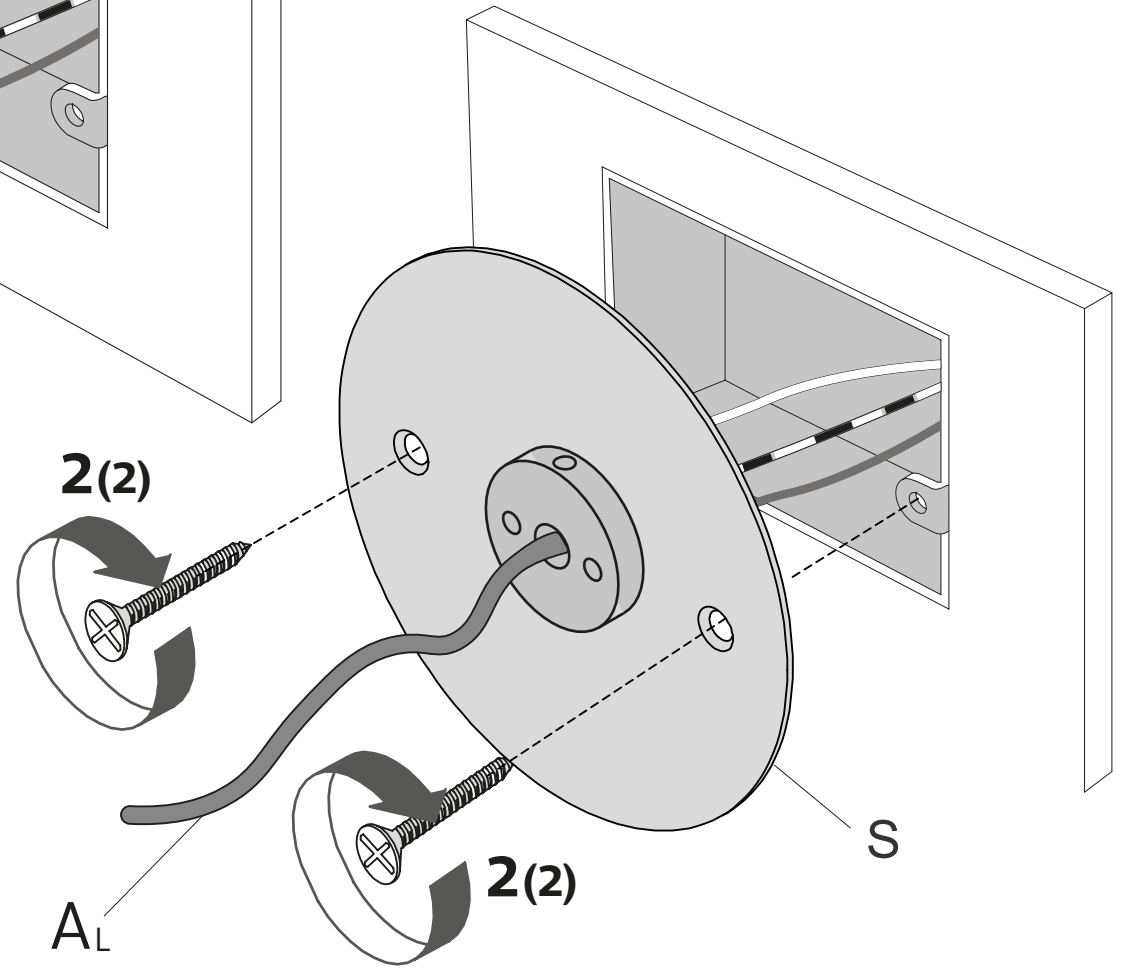
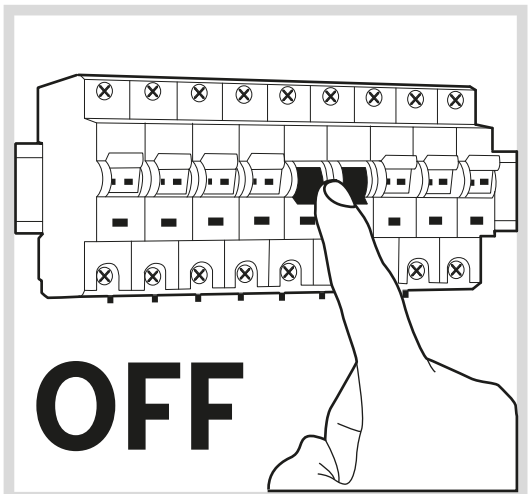
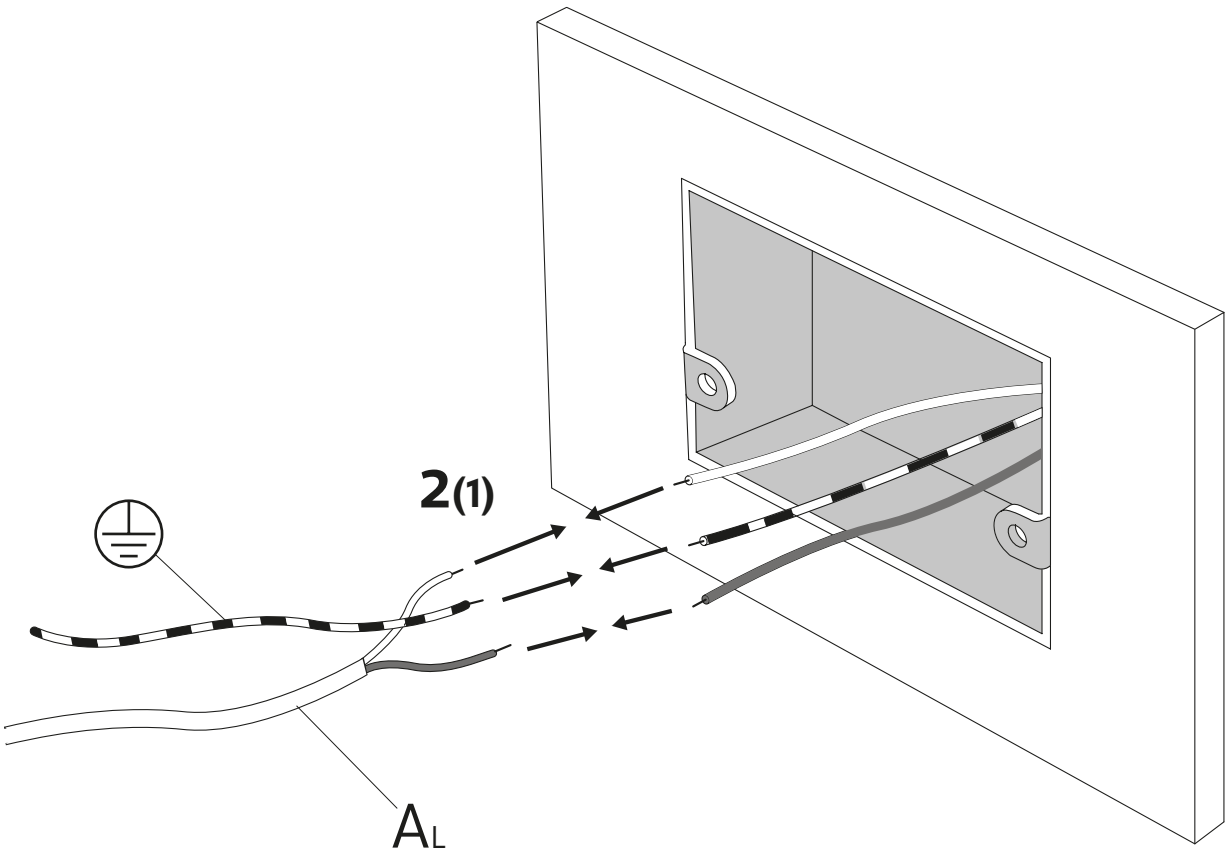


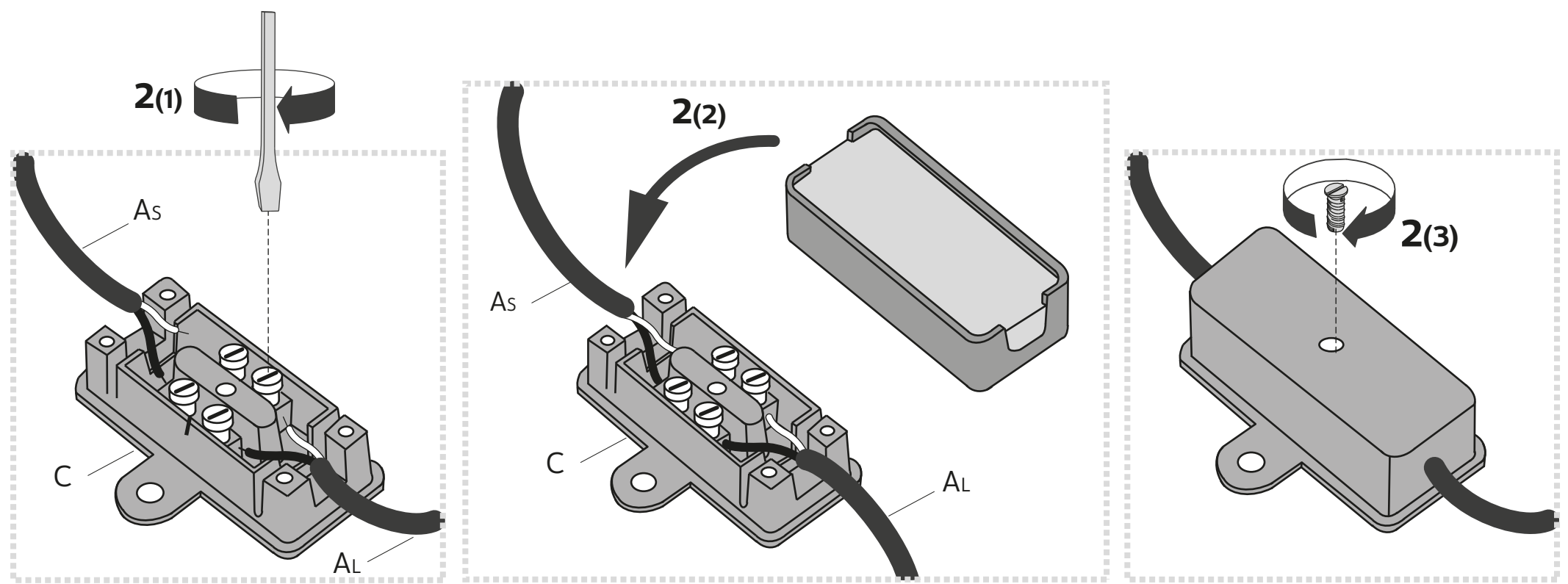
2x

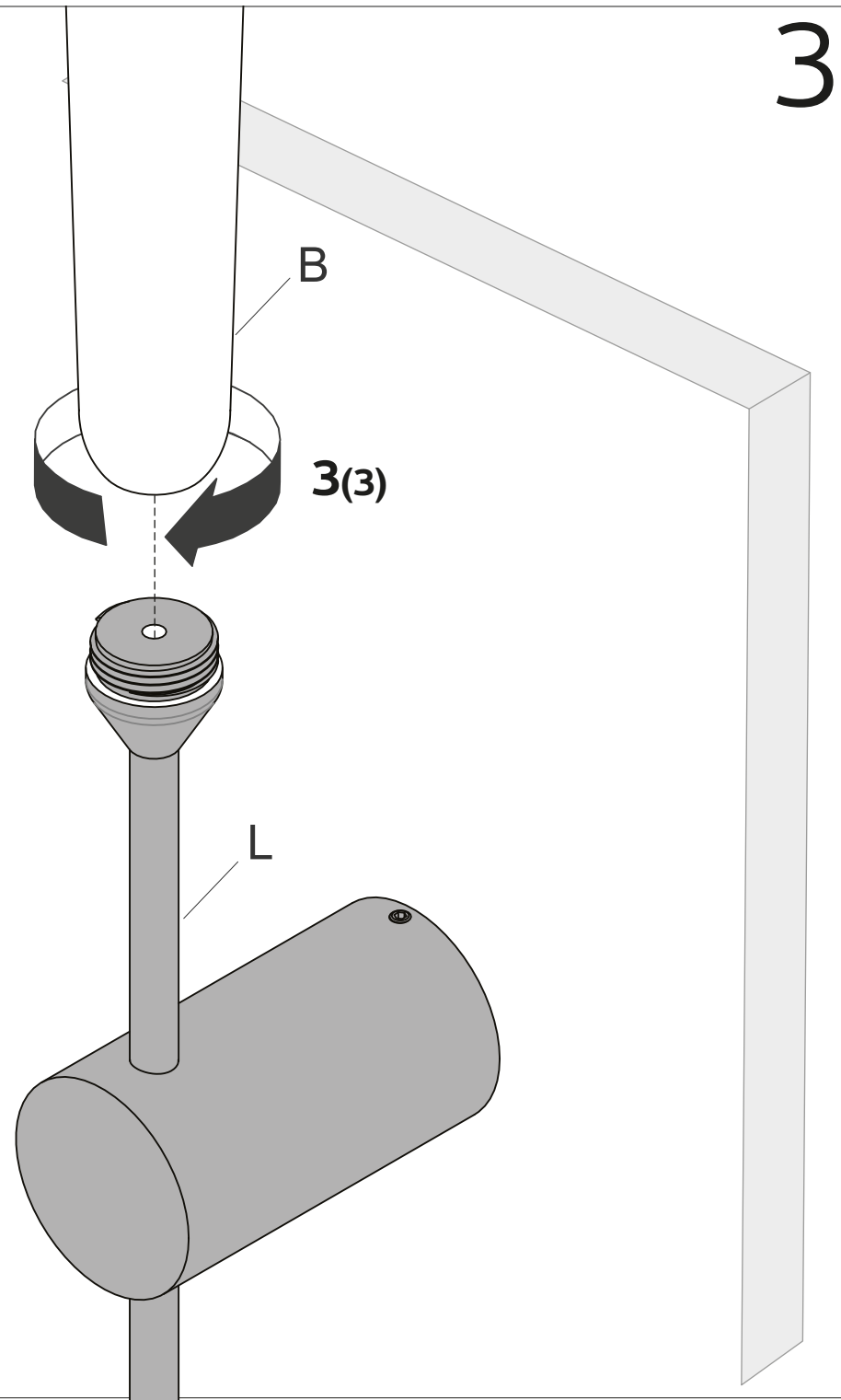
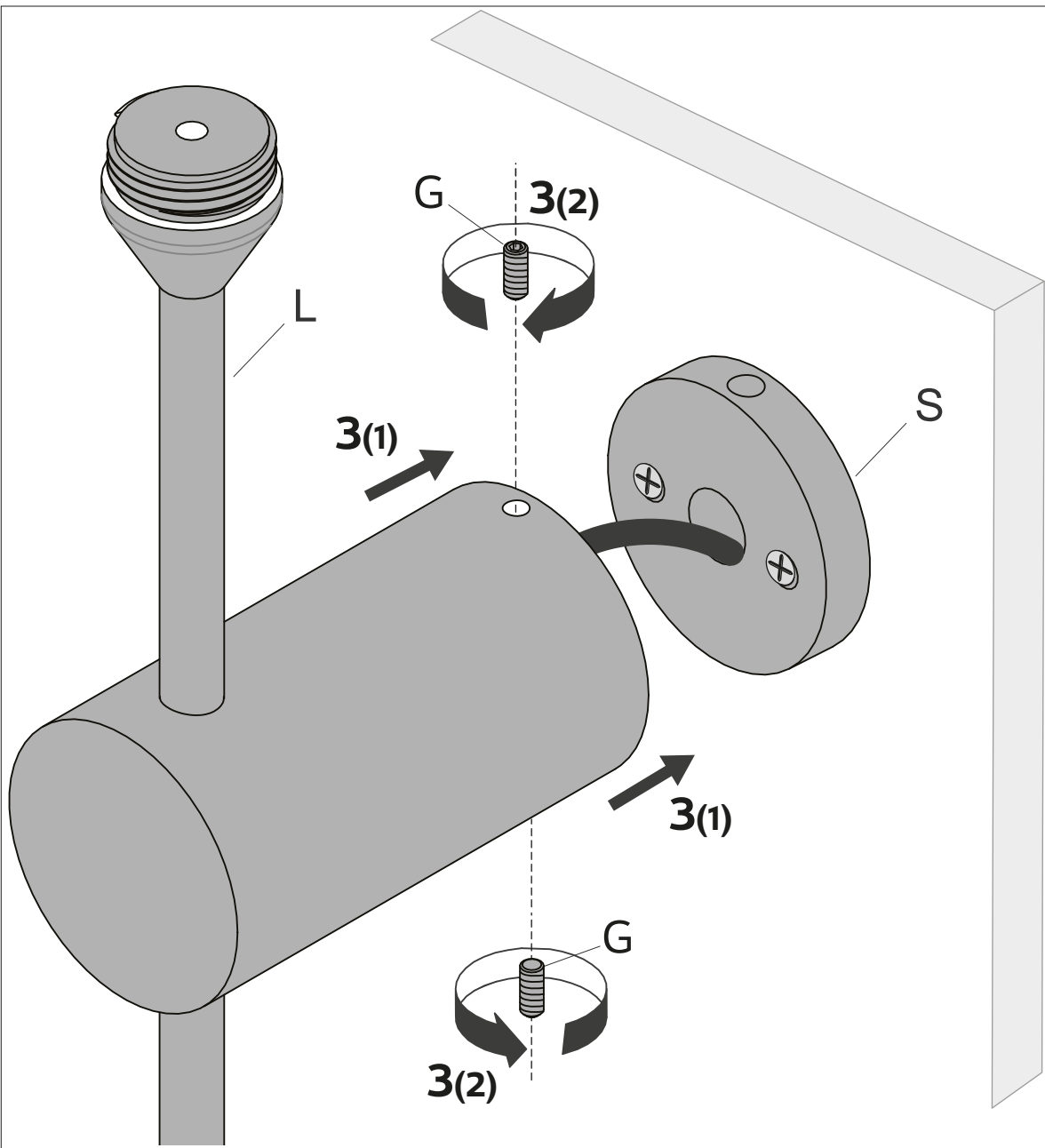
C



1x







3

