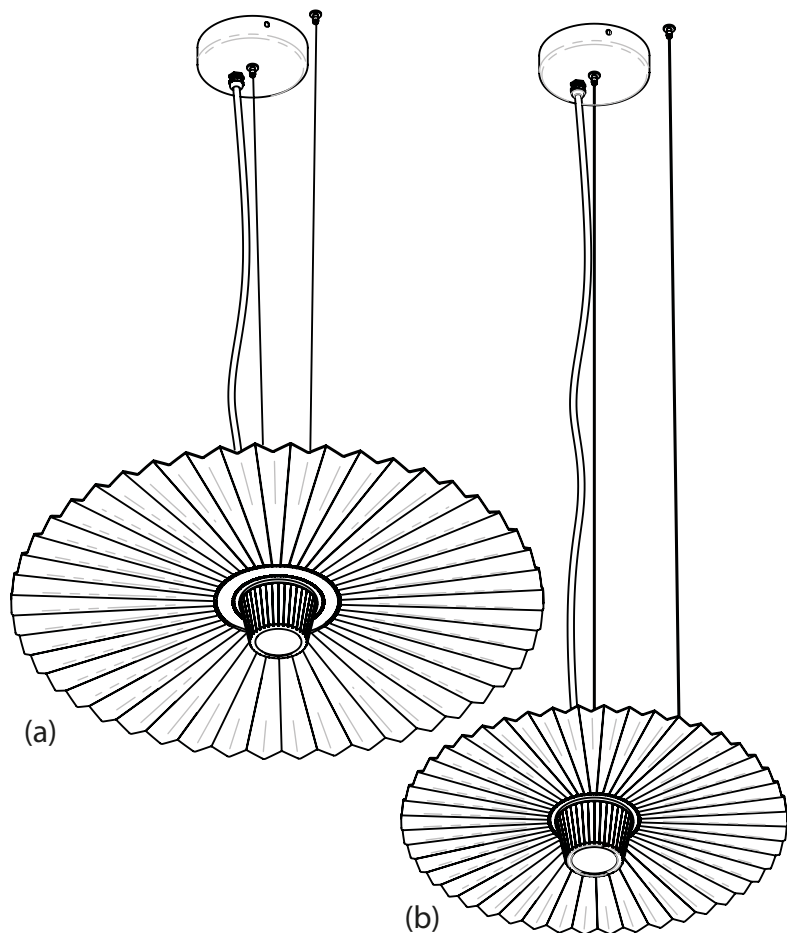
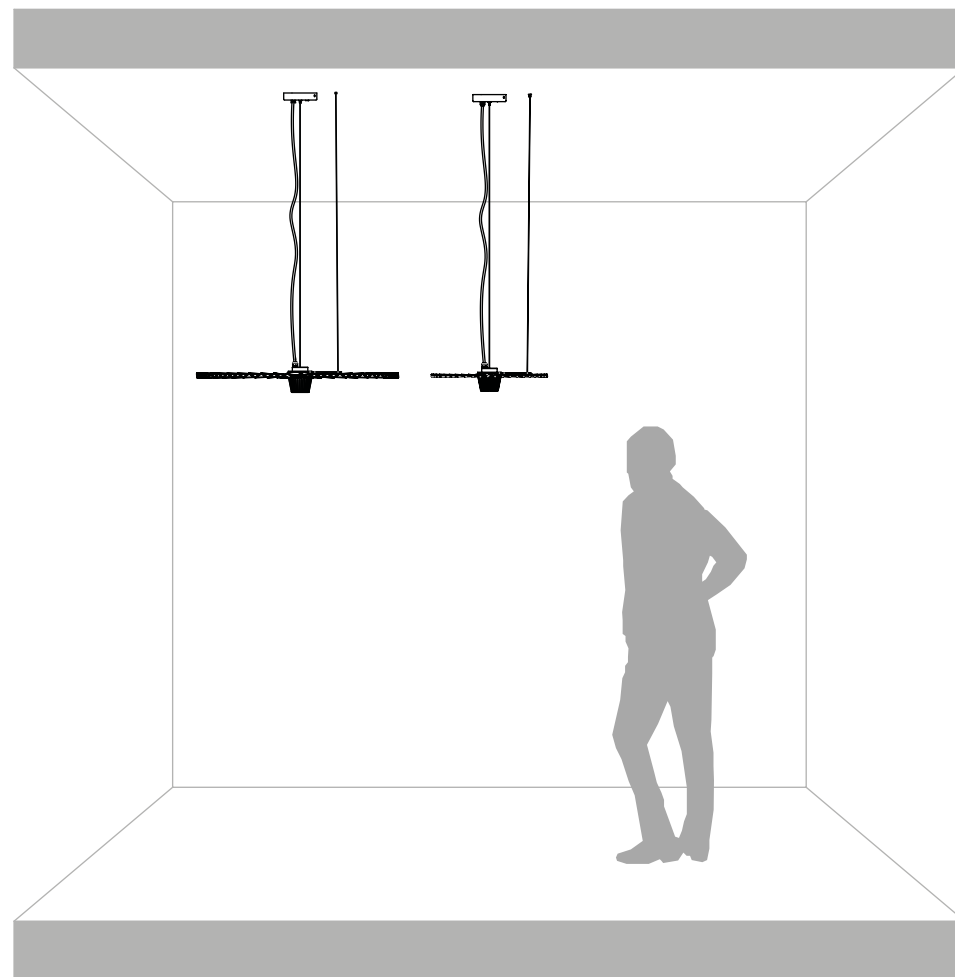


Gonzaga



SE185CE VE1(a)	SE185GC VE1(b)	SE185BD VE1(a)	SE185FD VE1(b)
SE185DE VE1(a)	SE185GD VE1(b)	SE185BC VE1(a)	SE185FC VE1(b)
SE185CD VE1(a)	SE185DD VE1(b)	SE185CC VE1(a)	SE185DC VE1(b)



KARMAN

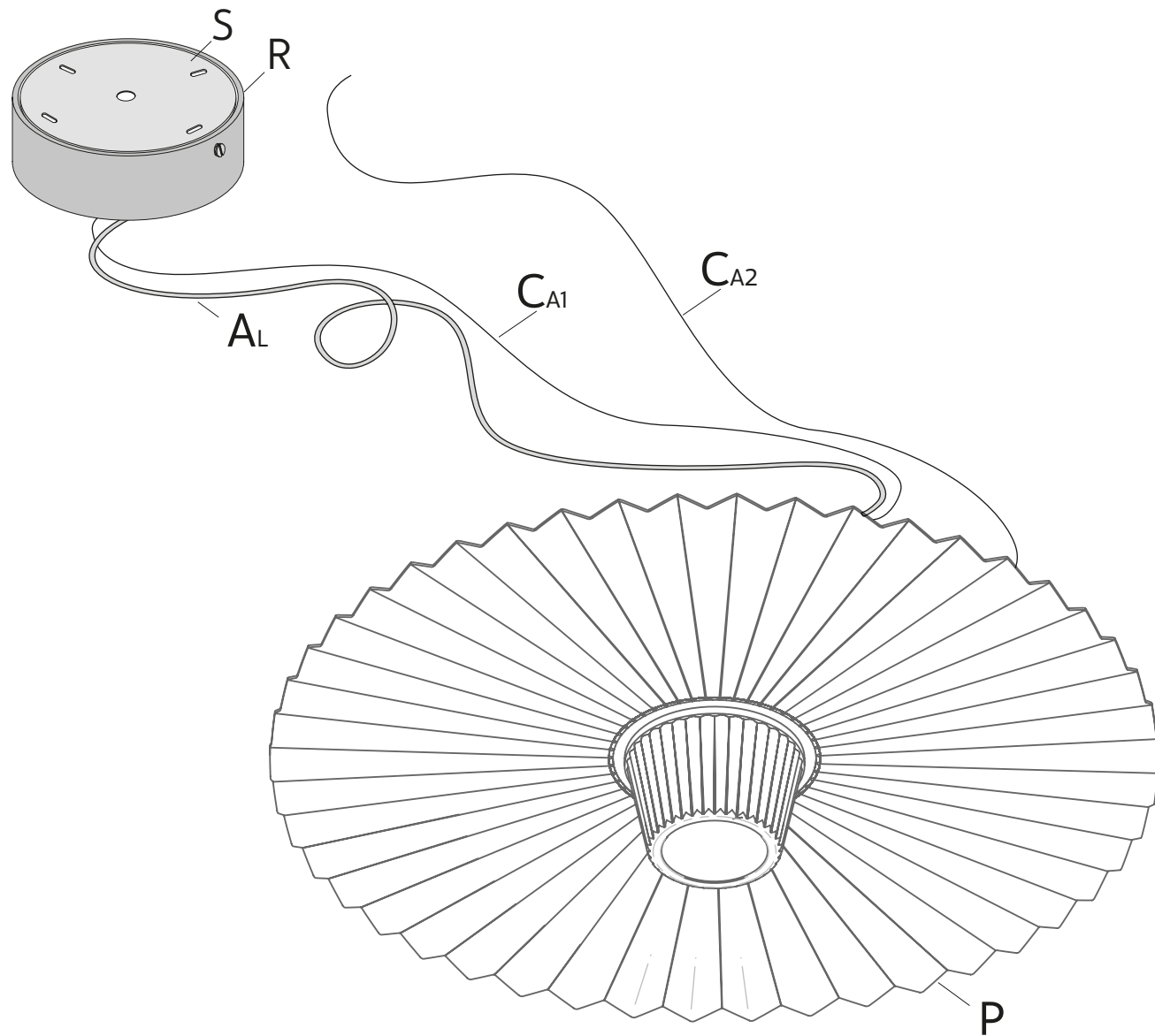
Karman srl

Via A. Grandi, San Martino del piano, 61034 Fossombrone (PU), Italy
p.iva 02175640412 tel +39 0721 71 5042 r.a fax +39 0721 716640 - www.karmanitalia.it

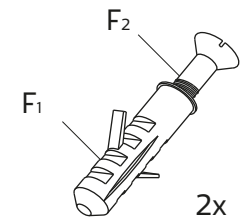
110 V
1x scheda led 13W

WET LOCATION

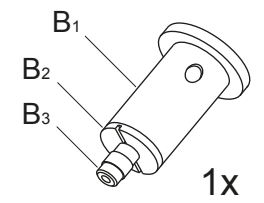
C - 01



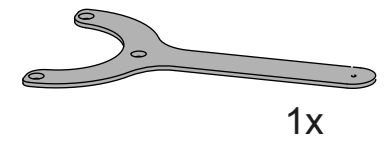
F



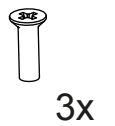
B

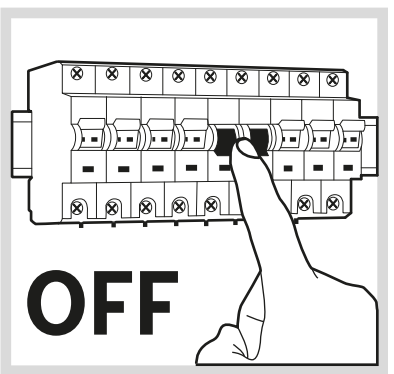


T

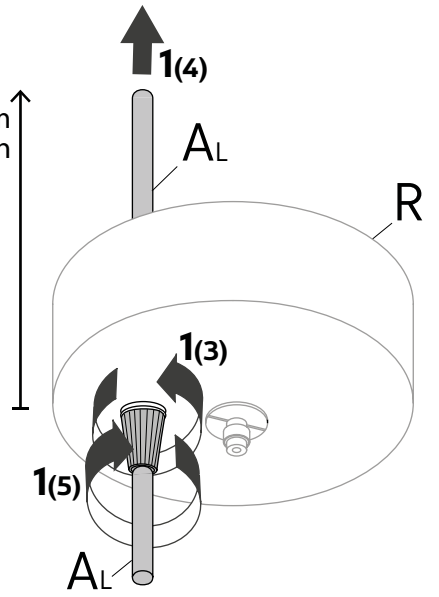


V

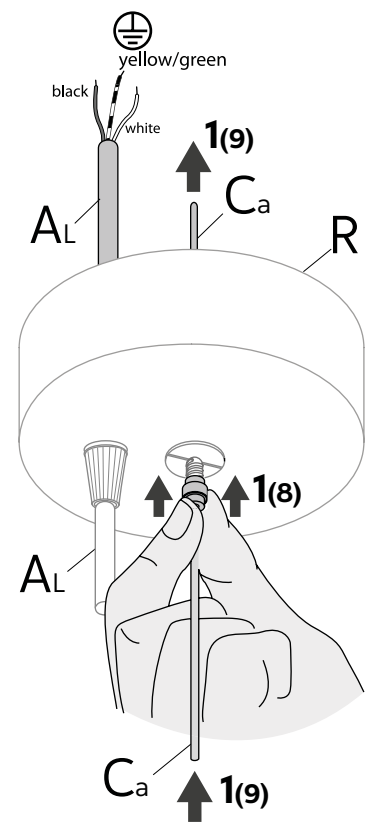
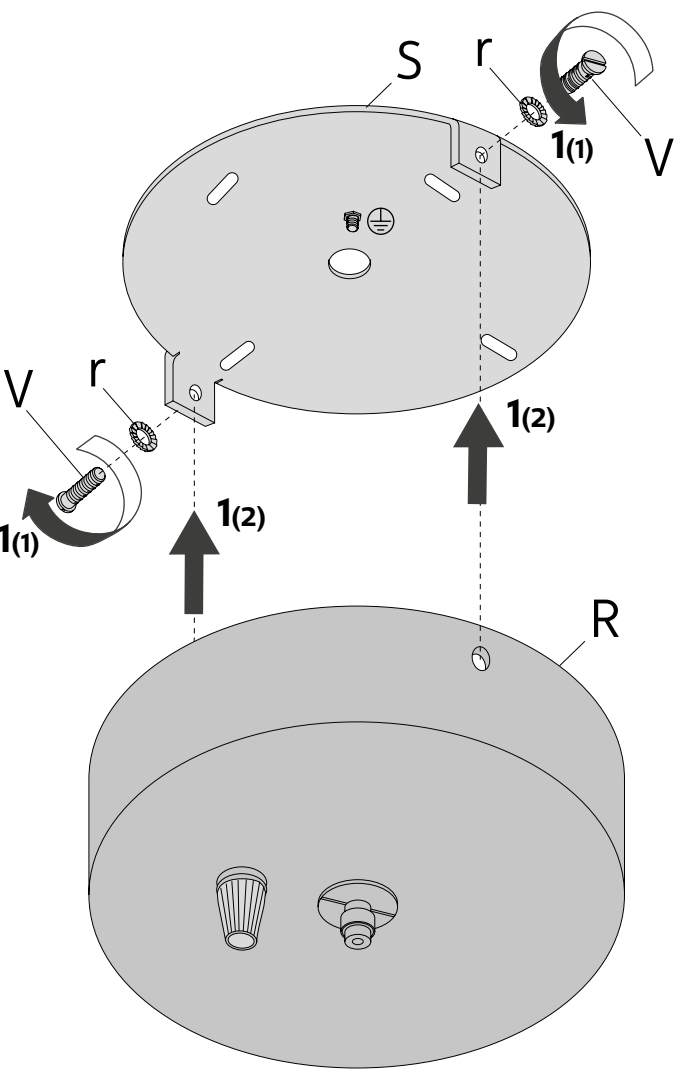
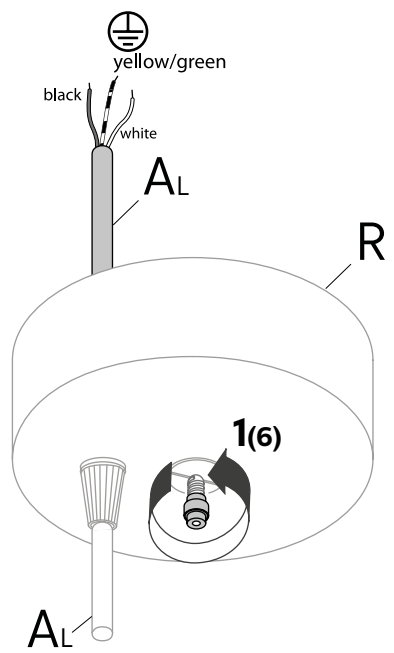




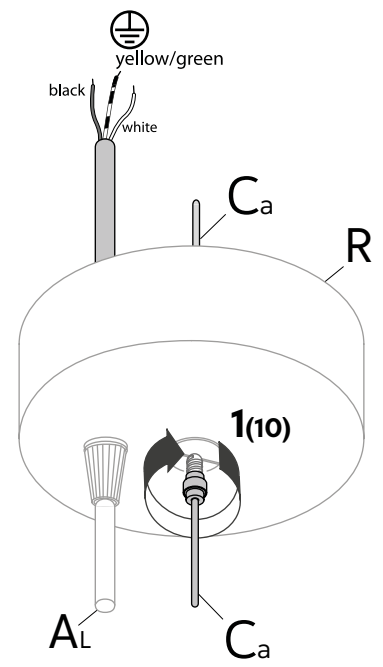
L 20 cm
L 7.87402 Inch

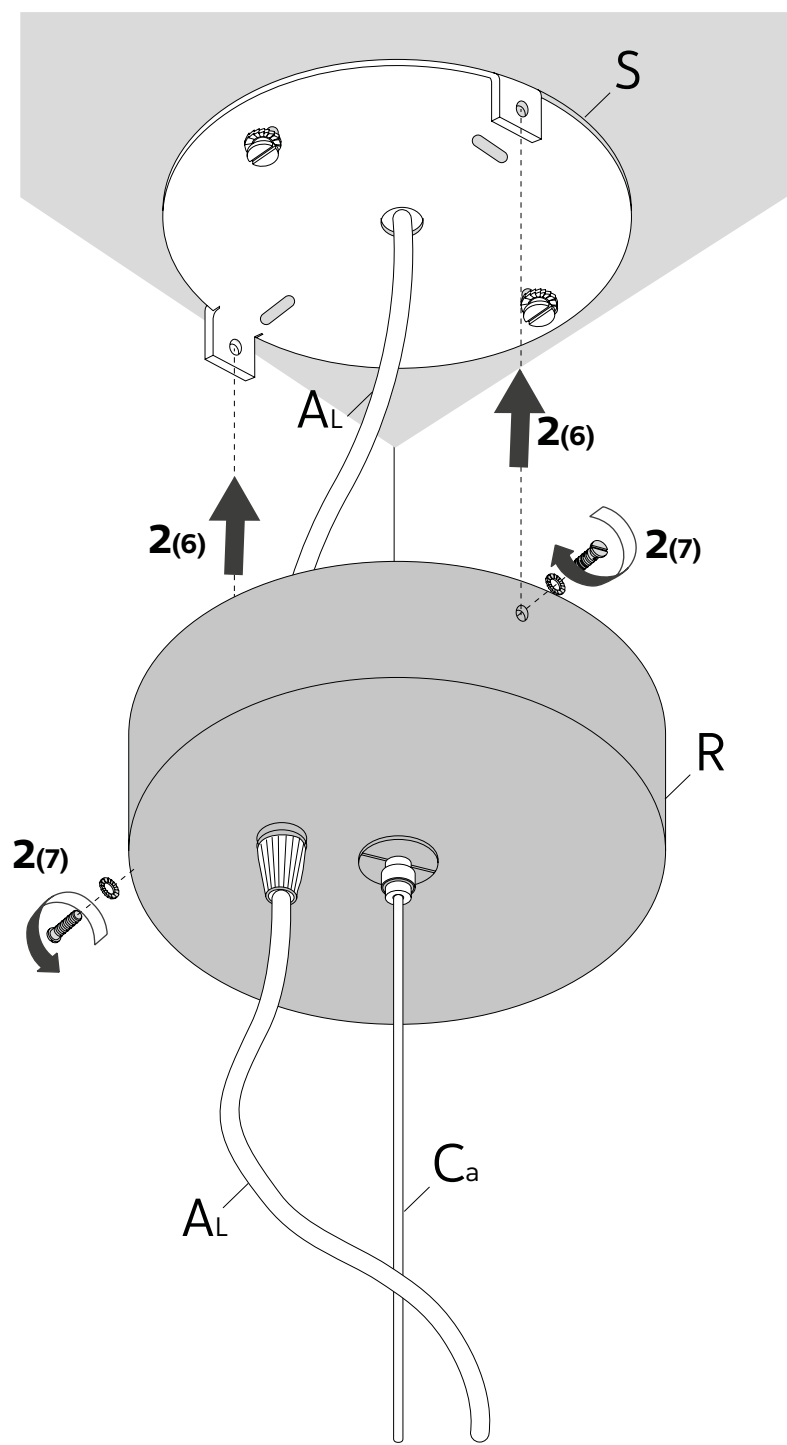
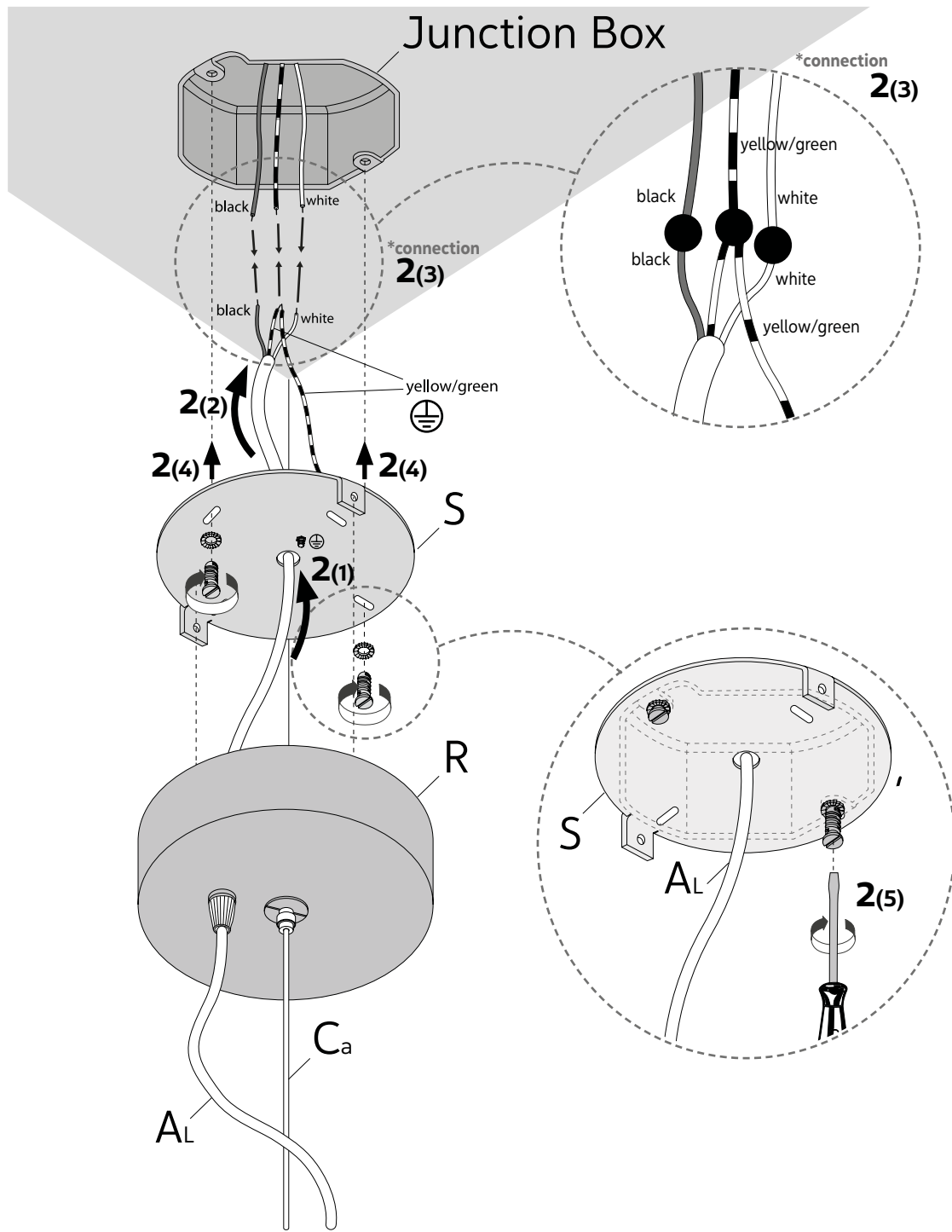


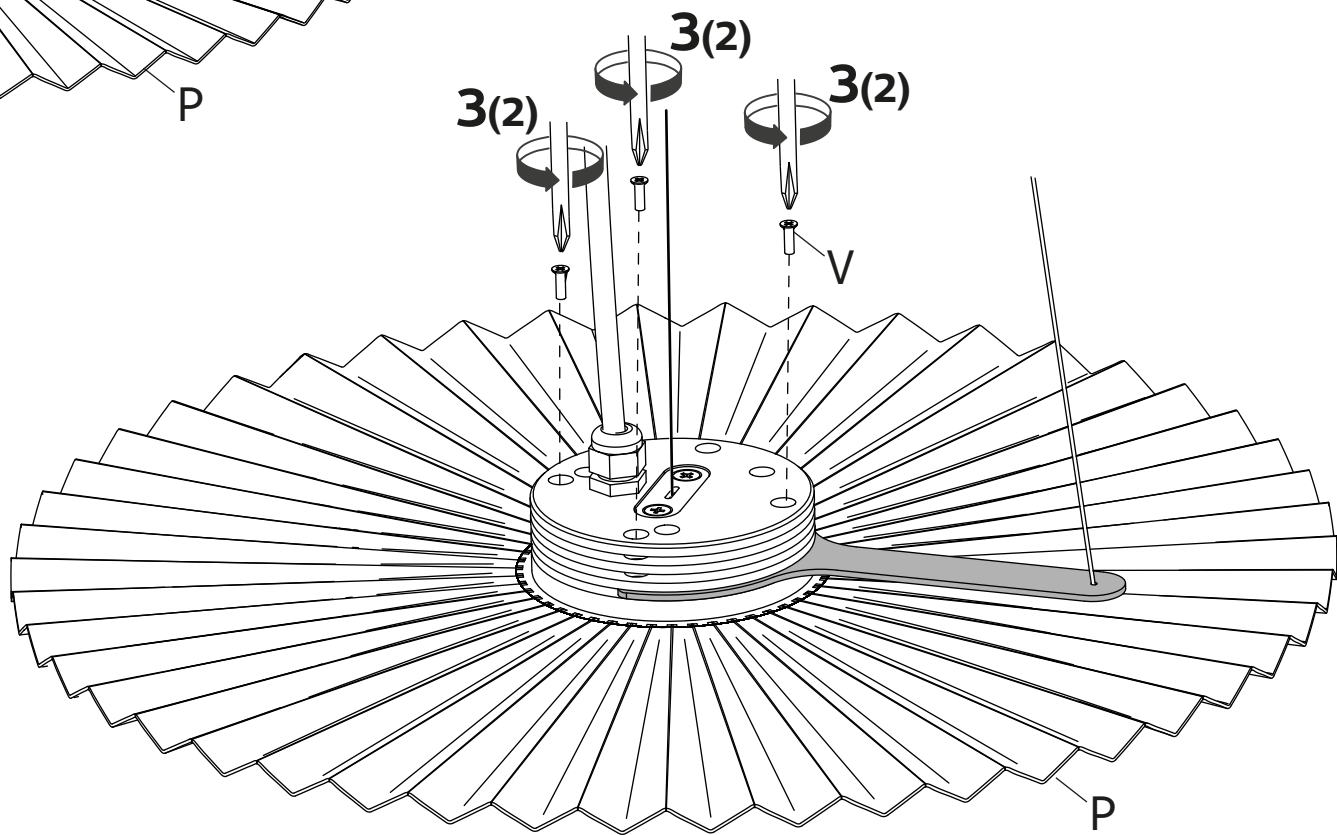
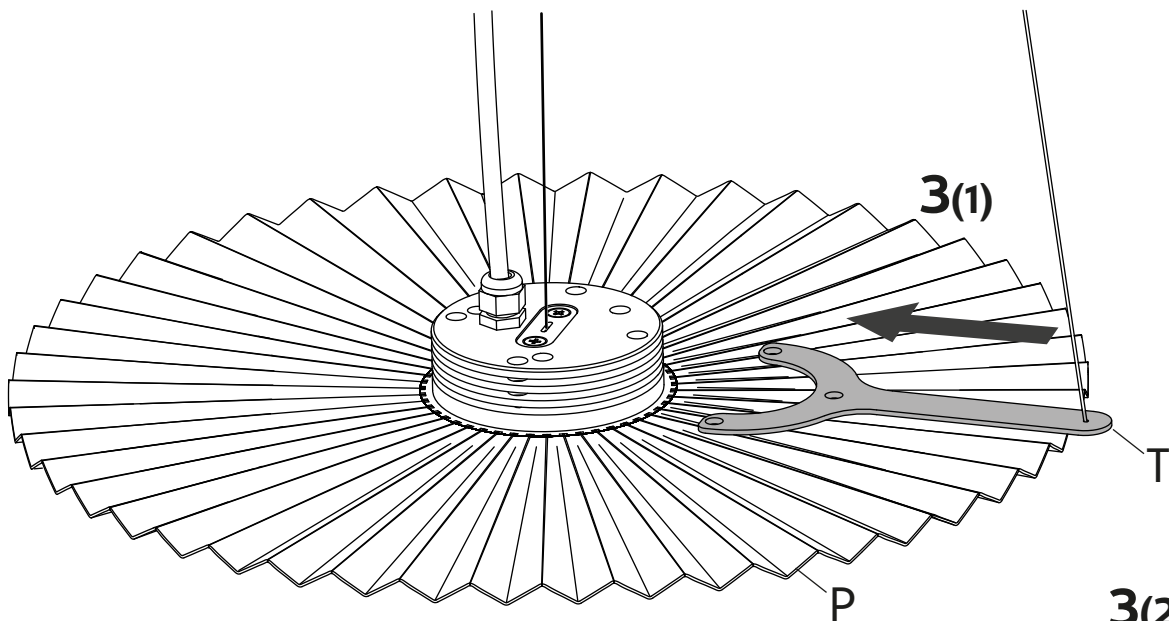
L 20 cm
L 7.87402 Inch

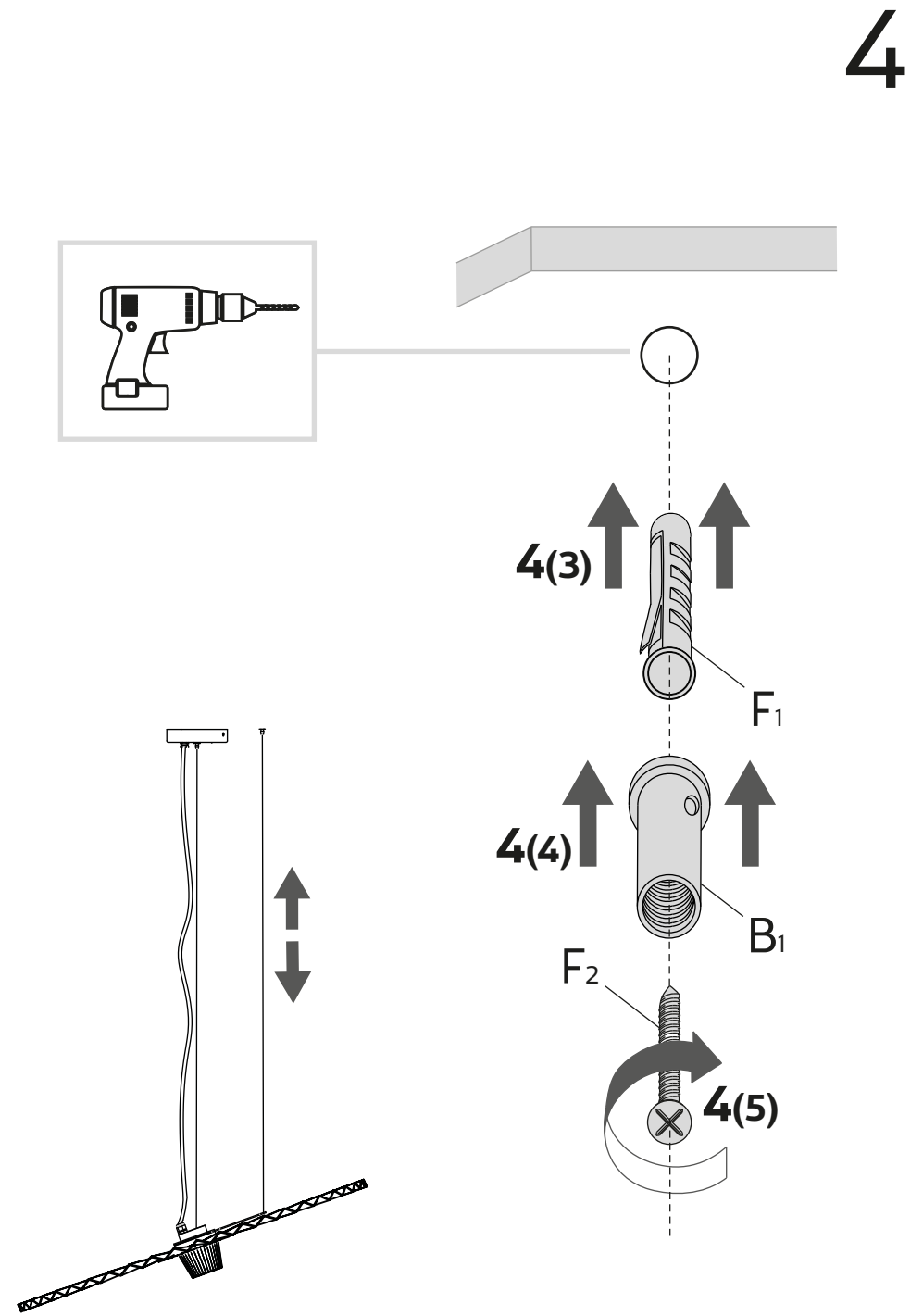
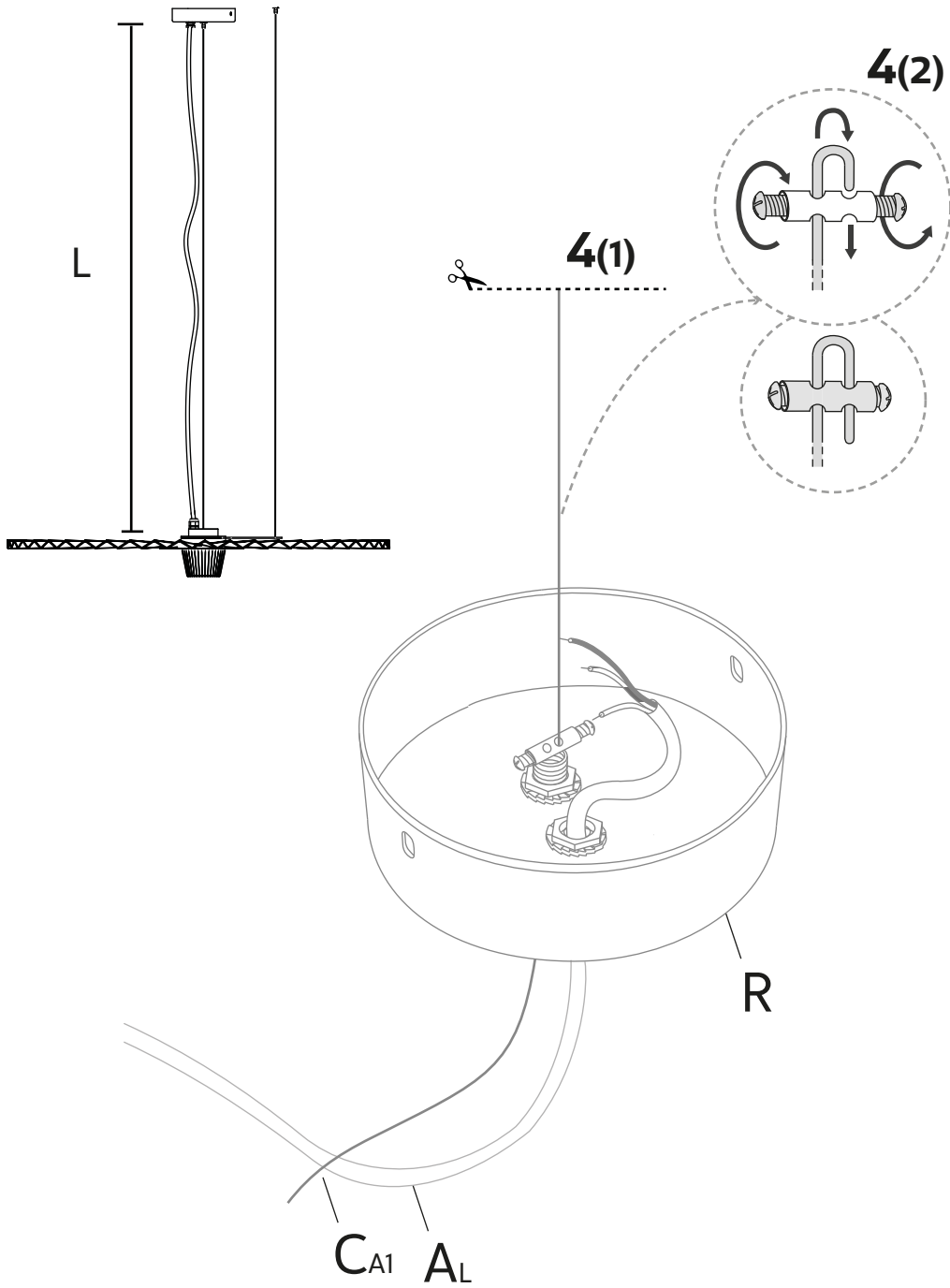


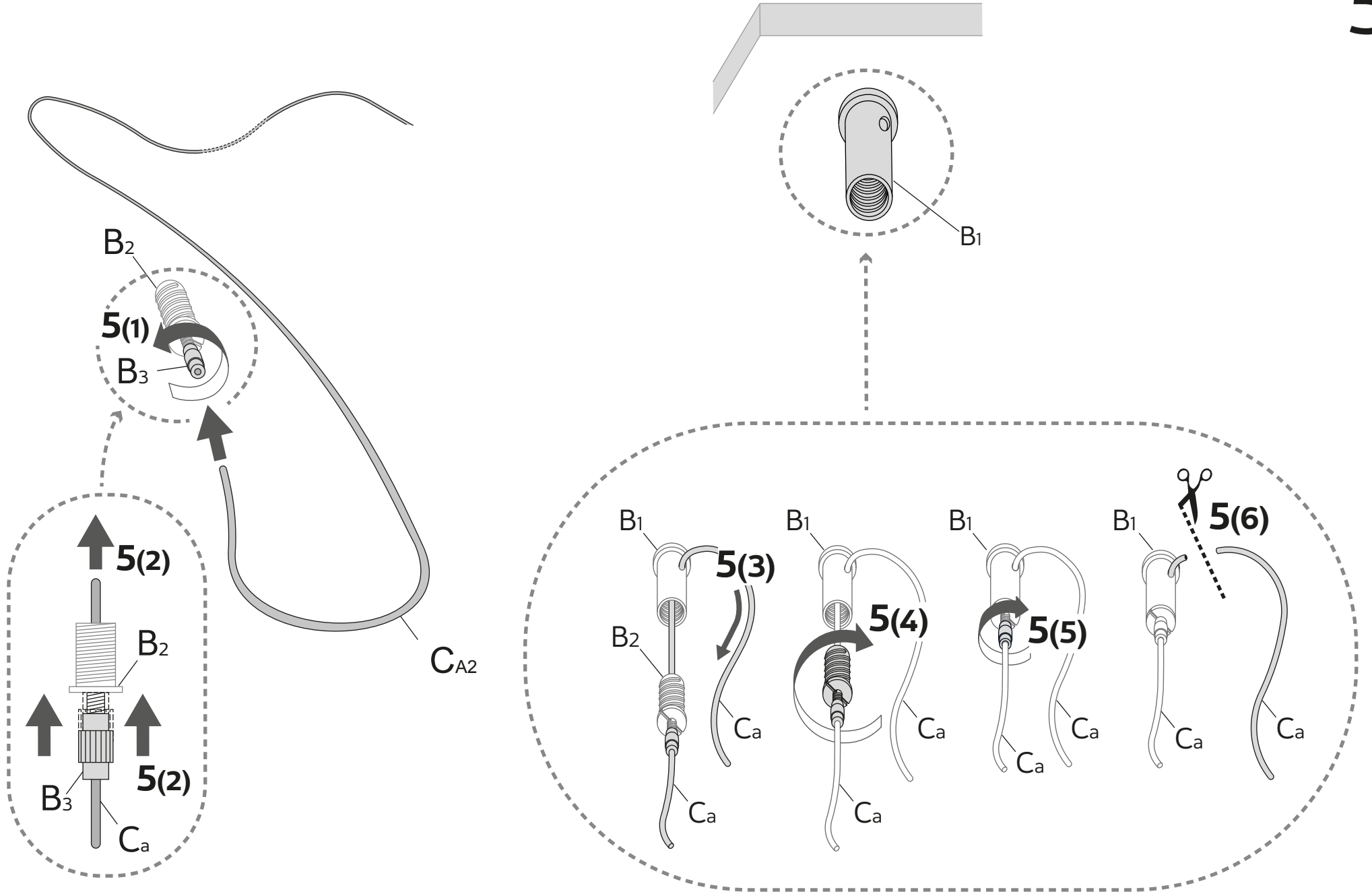
L 20 cm
L 7.87402 Inch

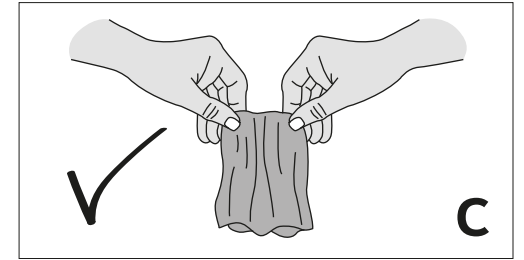
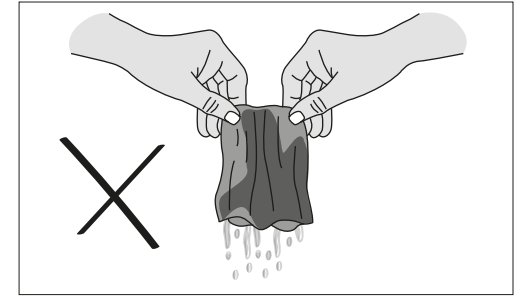
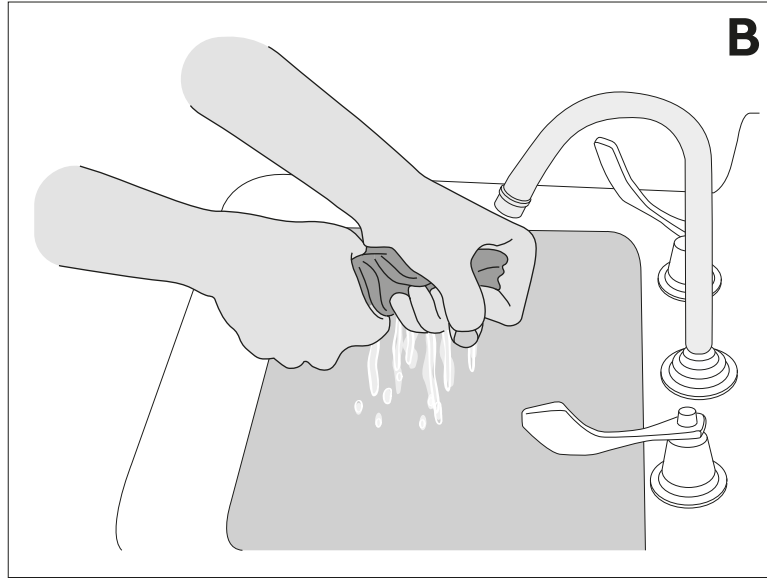
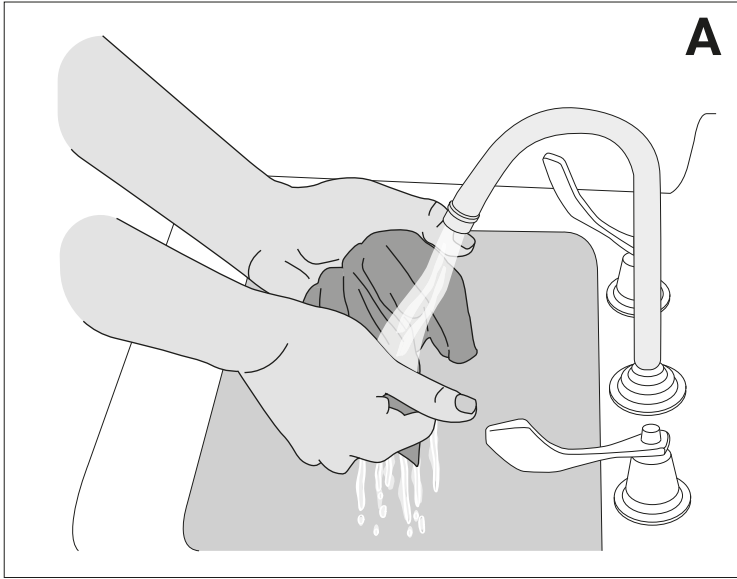




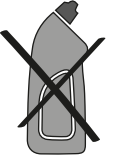









chemical agents



chemical agents



alcohol

