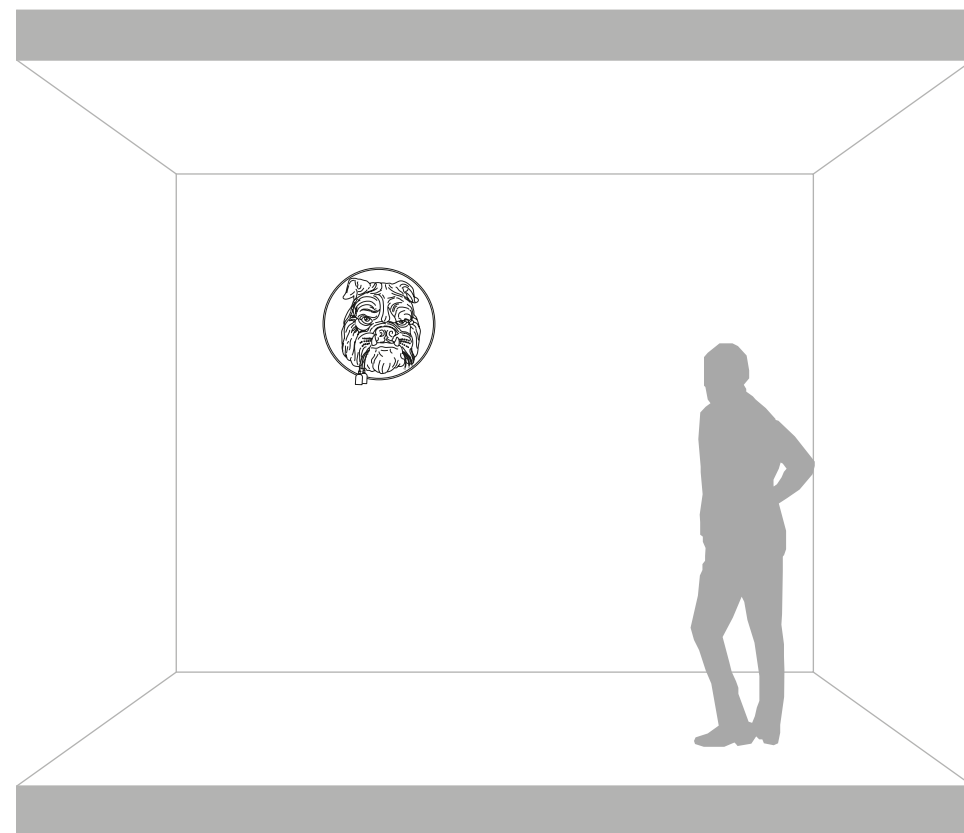


# Amsterdam



AP191 BA V11  
AP191 BB V11



**Karman srl**

Via A. Grandi, San Martino del piano, 61034 Fossombrone (PU), Italy  
p.iva 02175640412 tel +39 0721 71 5042 r.a fax +39 0721 716640 - [www.karmanitalia.it](http://www.karmanitalia.it)

**110V**  
**3 x max 10W LED - E26\***

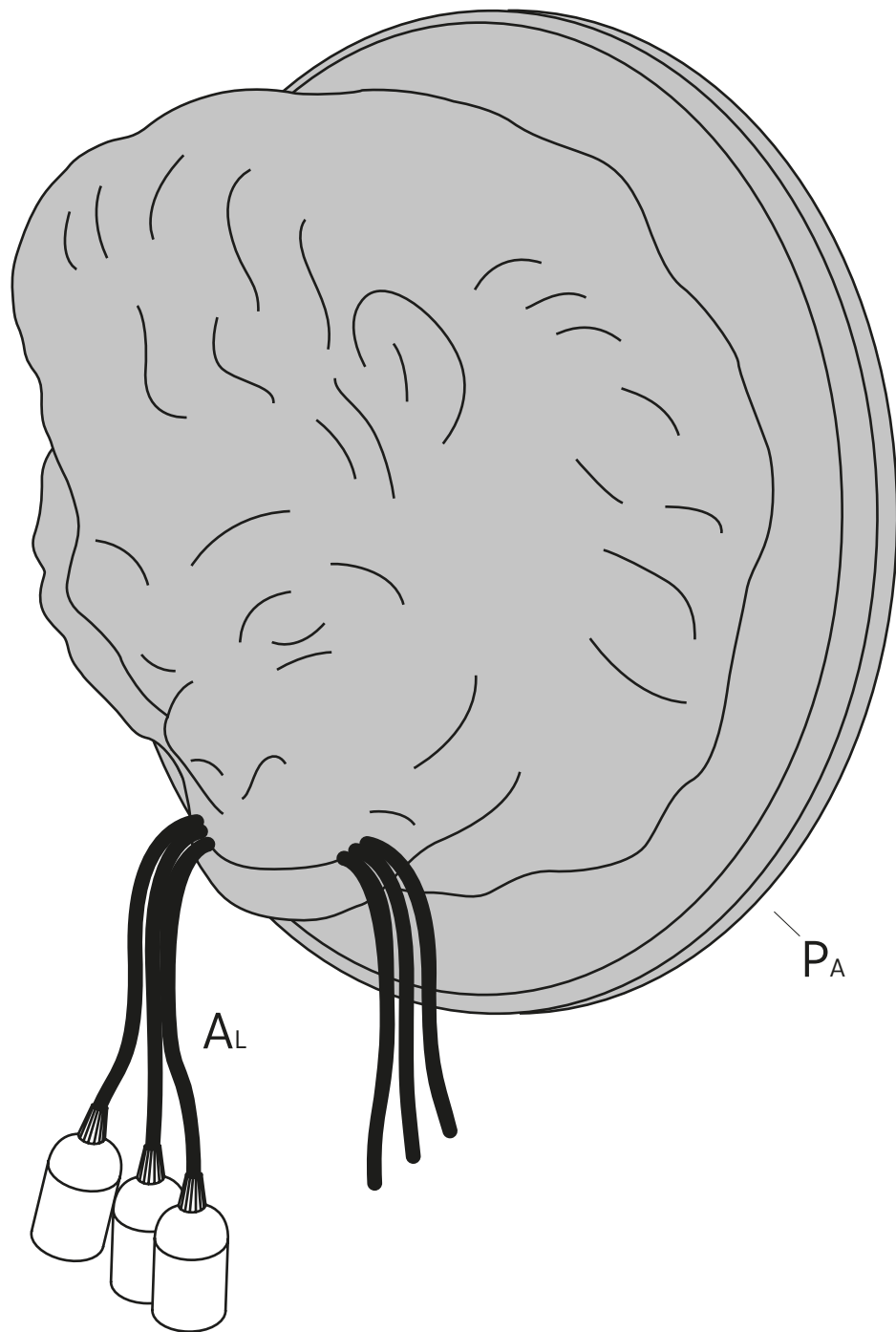
\*use only plastic light bulbs

**DRY LOCATION**

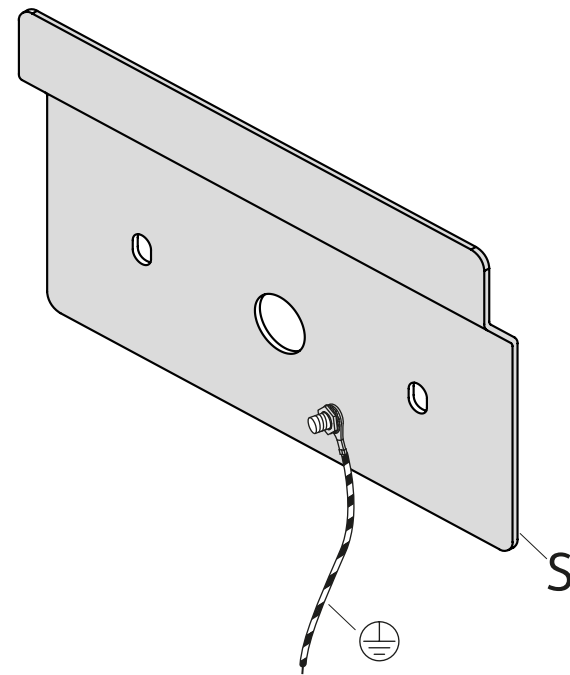
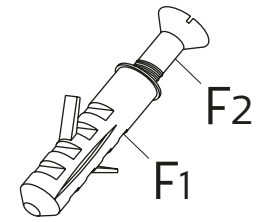
# KARMAN

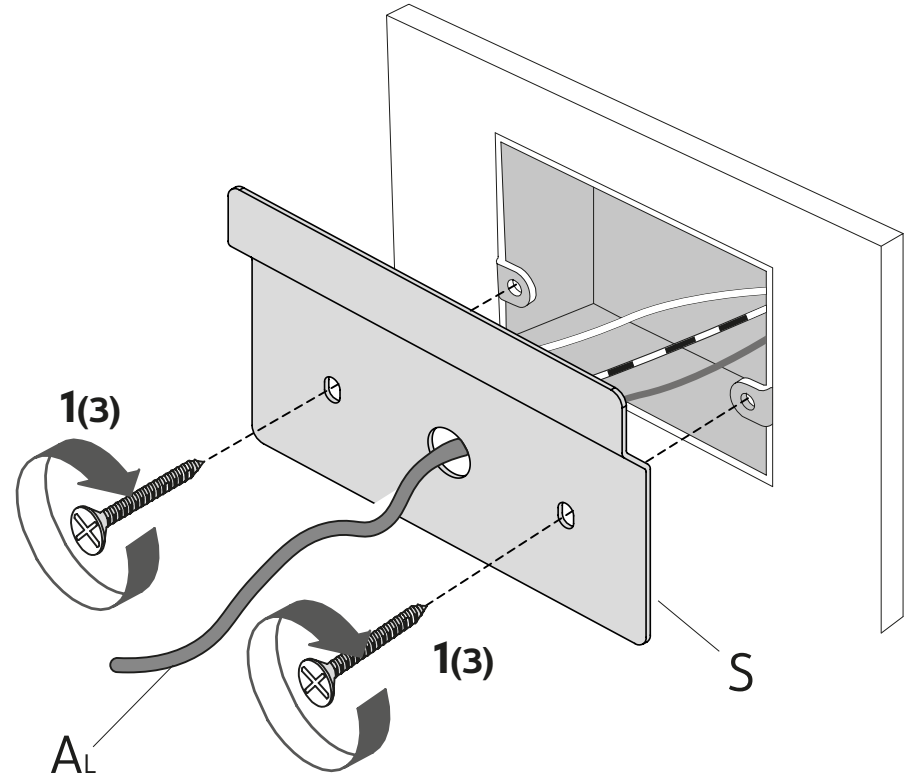
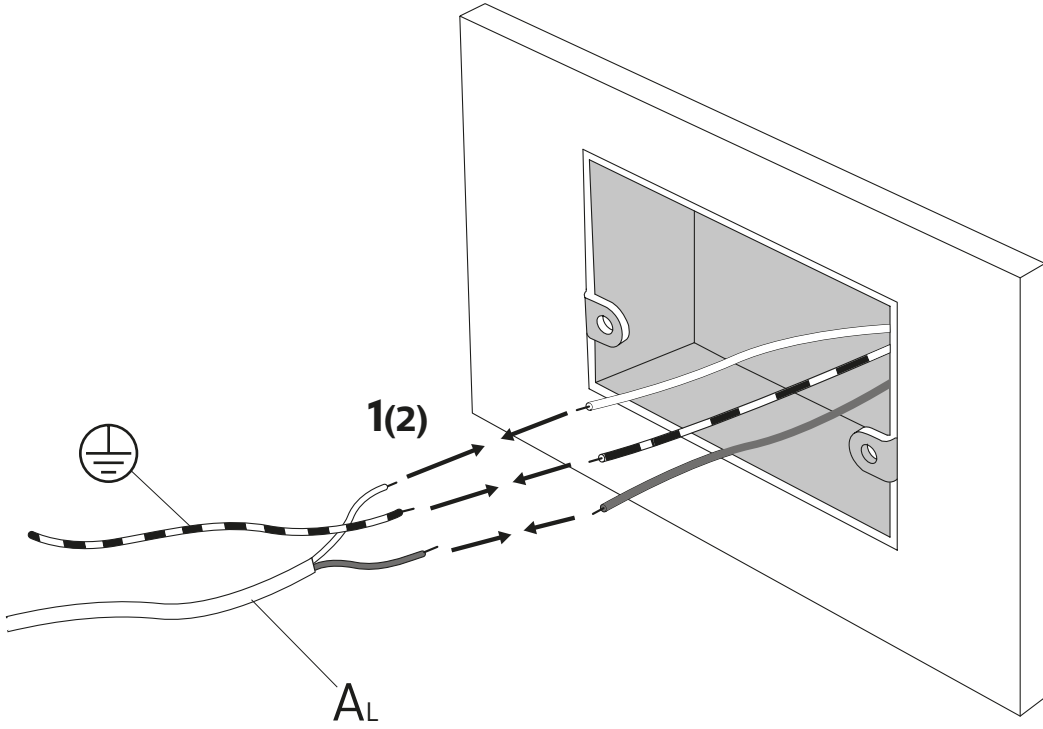
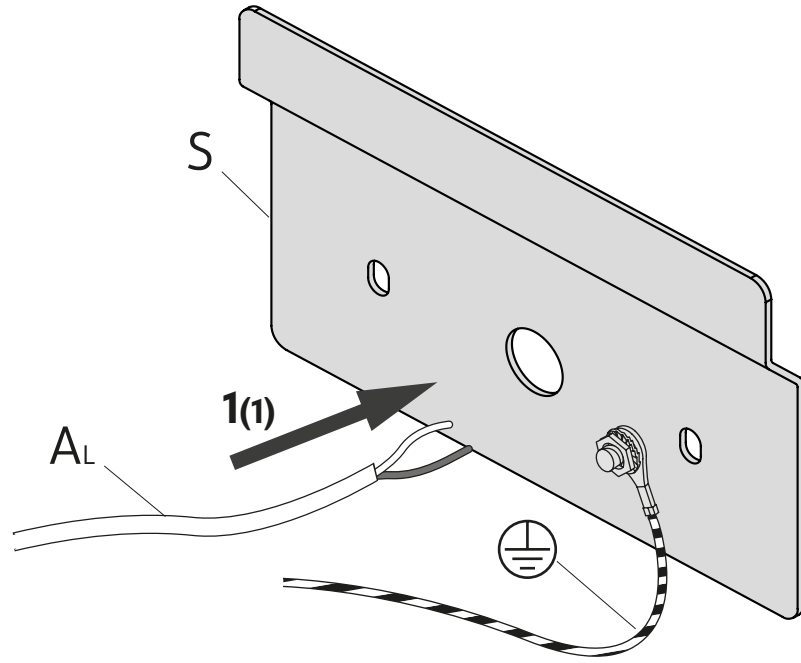


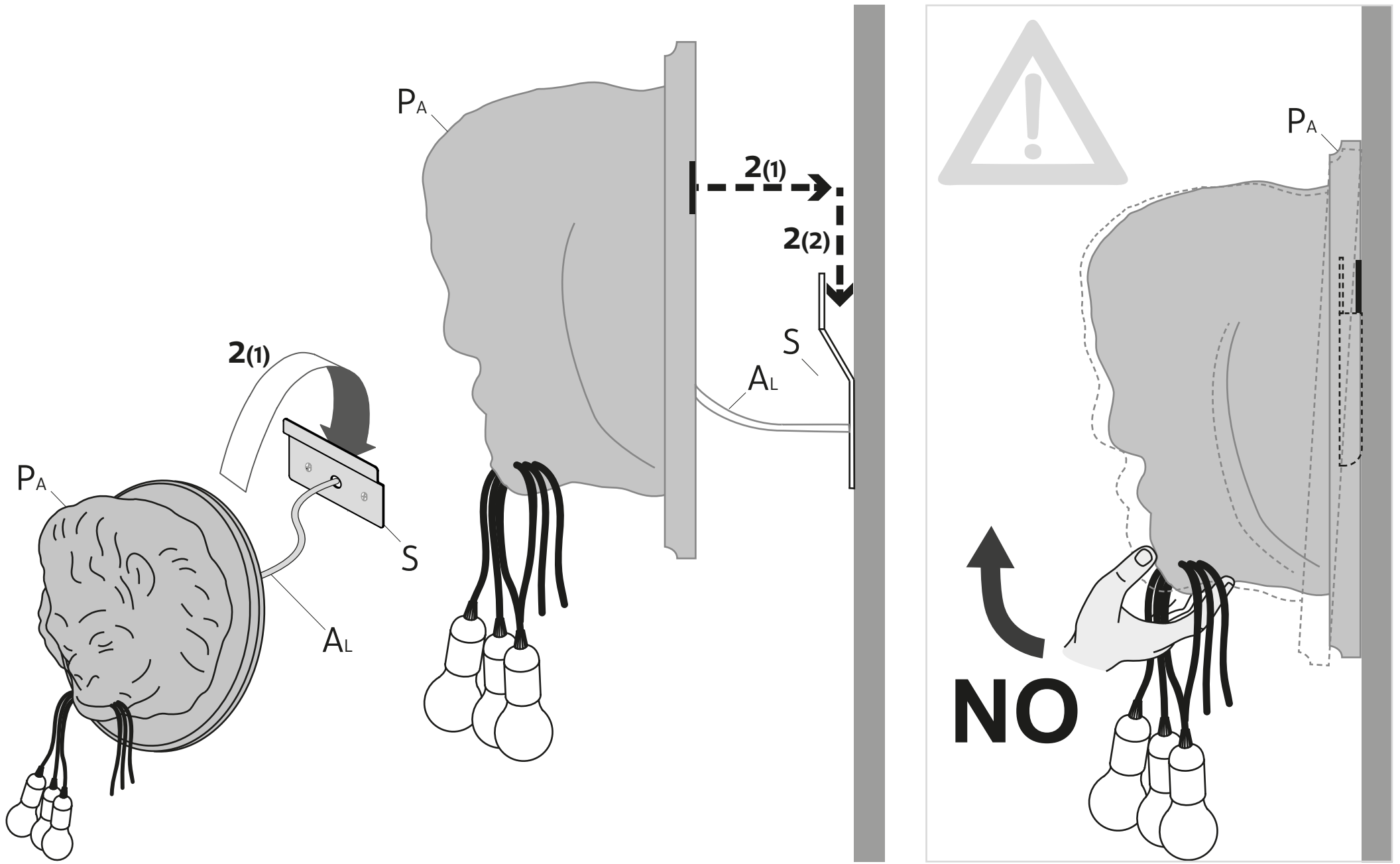
# C-01

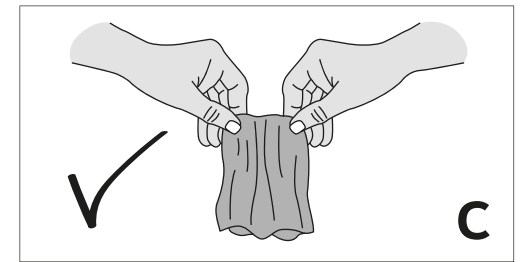
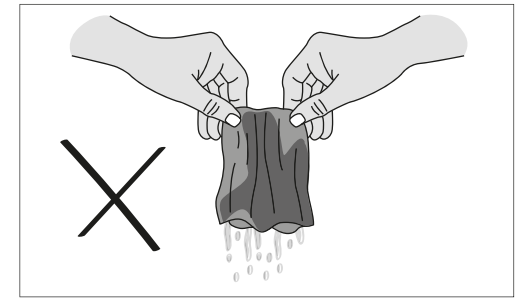
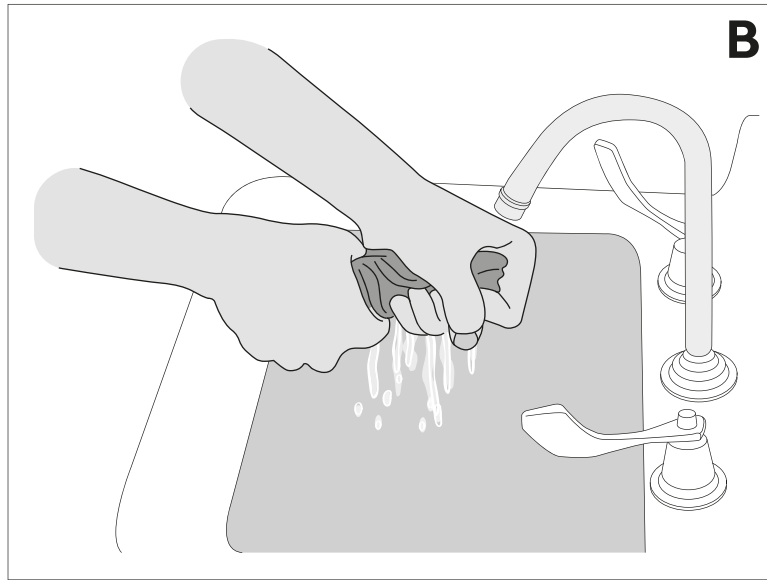
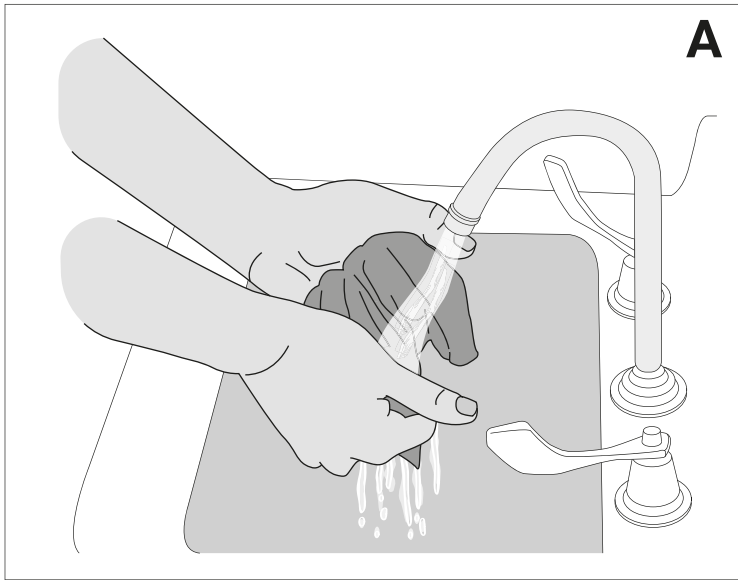


2x F









chemical agents

chemical agents

alcohol

