


# WORK IN PROGRESS wall lamp

Matteo Ugolini design

year 2016

## TECHNICAL SHEET - AP125 1B V11

### STRUCTURE "A"

material	ceramic	
colour	white	

### WALL HOLDER "G"

material	metal	
colour	polished white	

### ELECTRICAL SYSTEM

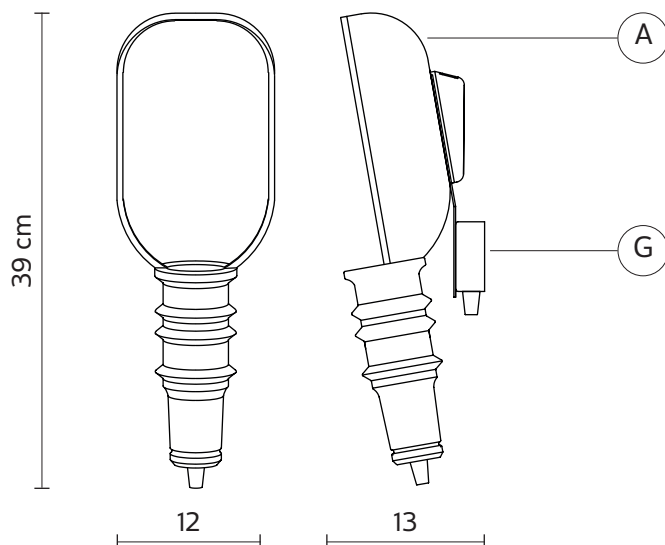
socket	GU10
source	max 1x35w
energy class	from E to A++

### PACKAGING

nr. of collis	1
net weight/kg	1,1
gross weight/kg	
packaging/cm	

### EMISSION OF LIGHT

unidirectional



bulb equipped

available also as single and multiple configuration