

NANDO suspension

Luca De Bona and Dario De Meo design

year 2015

TECHNICAL SHEET - SE109 1G V11

STRUCTURE "A"

material metal
colour charcoal-grey



CEILING CUP "E"

material metal
colour matt black

ELECTRICAL CABLE "C"

material fabric cable
colour black



ELECTRICAL SYSTEM

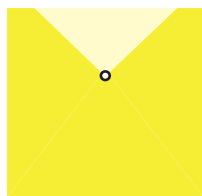
socket E26
source max 1x18w LED
energy class from E to A++

PACKAGING

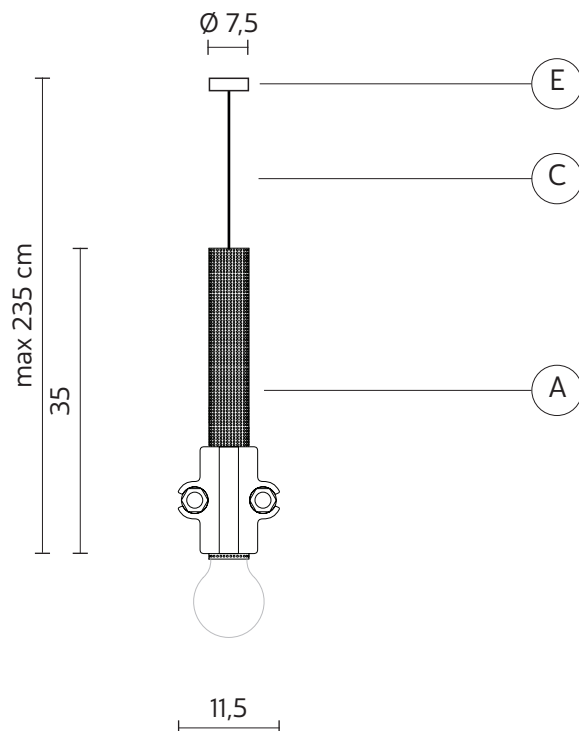
nr. of collis 1
net weight/kg 1,7
gross weight/kg 2
packaging/cm 32x25x32

EMISSION OF LIGHT

one-directional



direct
filtered
indirect
none



CERTIFICATION



bulb not provided

COLLECTION

