

NANDO suspension

Luca De Bona and Dario De Meo design

year 2015

TECHNICAL SHEET - SE109 1B V11

STRUCTURE "A"

material metal
colour white



CEILING CUP "E"

material metal
colour matt white

ELECTRICAL CABLE "C"

material fabric cable
colour white



ELECTRICAL SYSTEM

socket E26
source max 1x18w LED
energy class from E to A++

PACKAGING

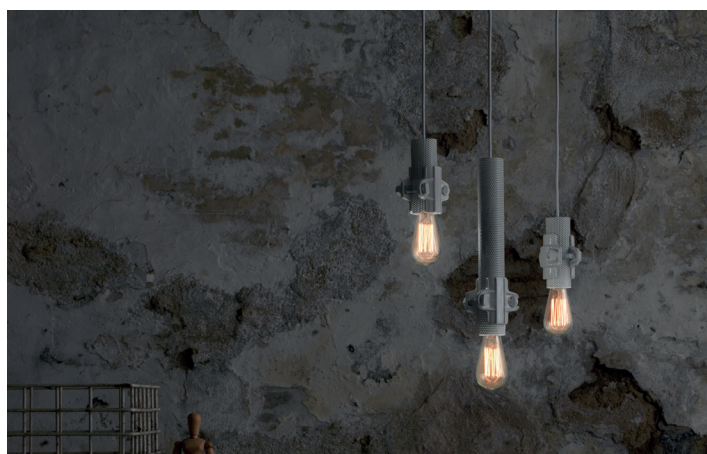
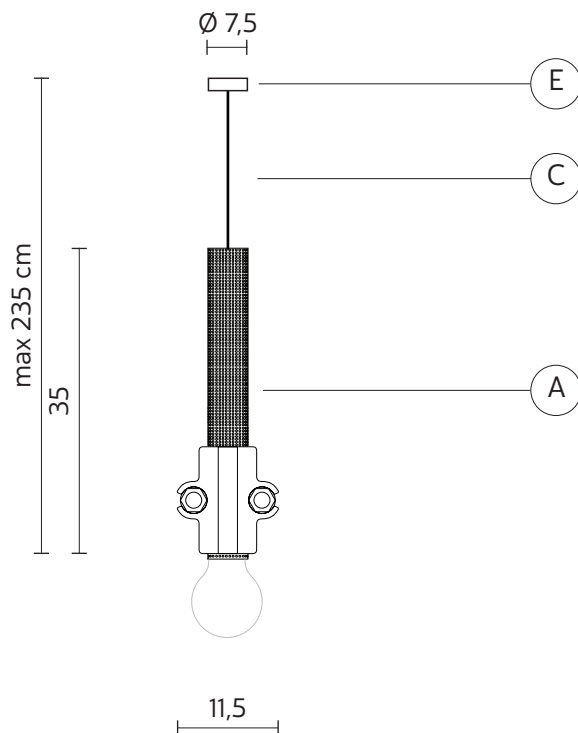
nr. of collis 1
net weight/kg 1,7
gross weight/kg 2
packaging/cm 32x25x32

EMISSION OF LIGHT

one-directional



direct
filtered
indirect
none

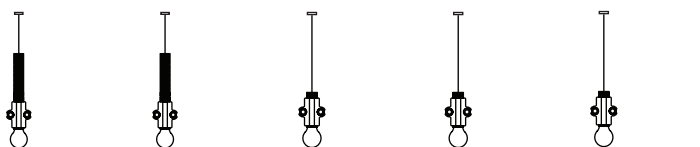


CERTIFICATION



bulb not provided

COLLECTION



SE1091GV11

SE1091OV11

SE1092GV11

SE1092BV11

SE1092OV11