

# AMARCORD wall lamp

Matteo Ugolini design

year 2018

## DATA SHEET - AP121 BS V11

### BASE "A"

material  
colour

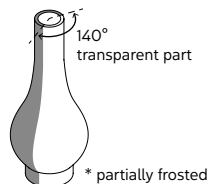
concrete  
white



### DIFFUSER "B"

material  
colour

glass  
frosted  
transparent\*



### ELECTRICAL SYSTEM

socket  
source  
energy class

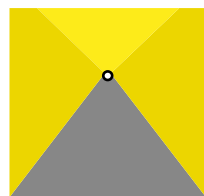
E26  
1 x max 18W LED  
from E to A++

### PACKAGING

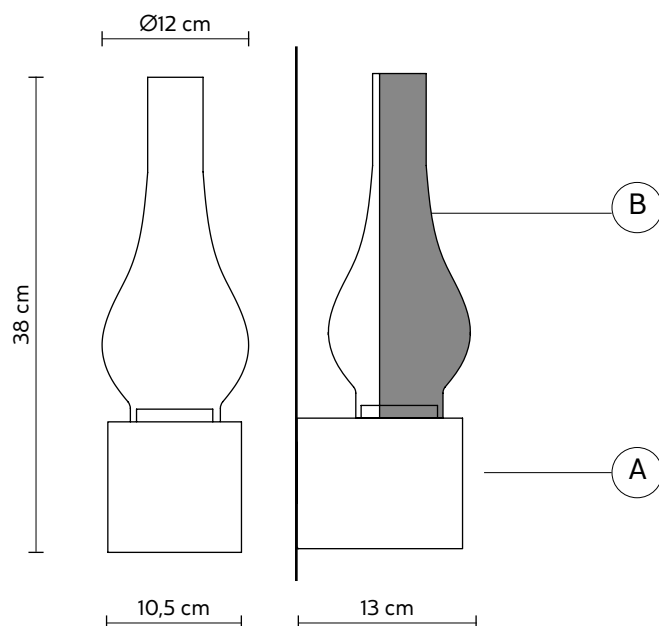
n° cartons 2  
net weight/kg 2,2 (A+B)  
gross weight/kg 2,8 (A+B)  
packaging/cm 21x21x20 (A) - 24x24x39 (B)

### LIGHT EMISSION

unidirectional



direct  
filtered  
indirect  
absence



### CERTIFICATION



bulb not provided

### COLLECTION

also available table lamp version



AP121 1B V11



AP121 BF V11



AP121 GT V11



AP121 1G V11



AP121 GS V11