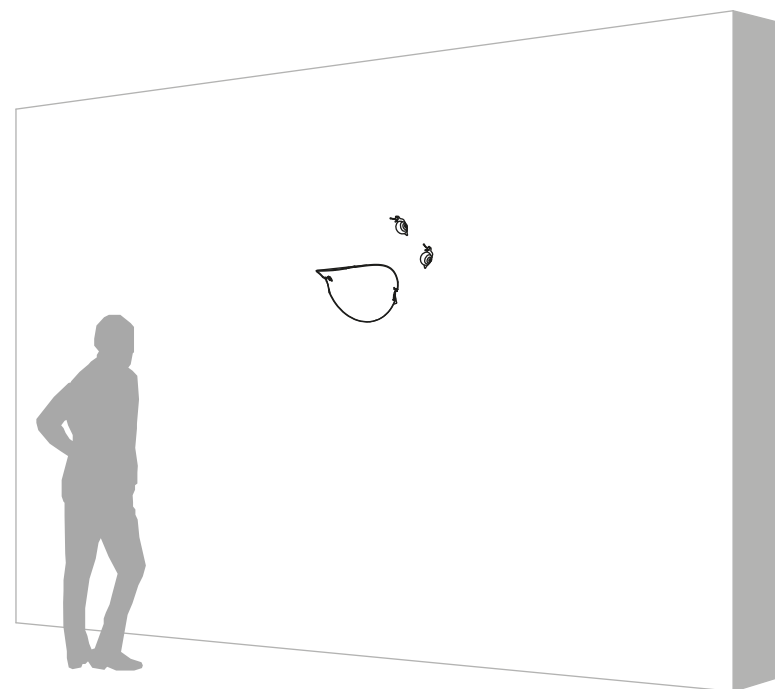
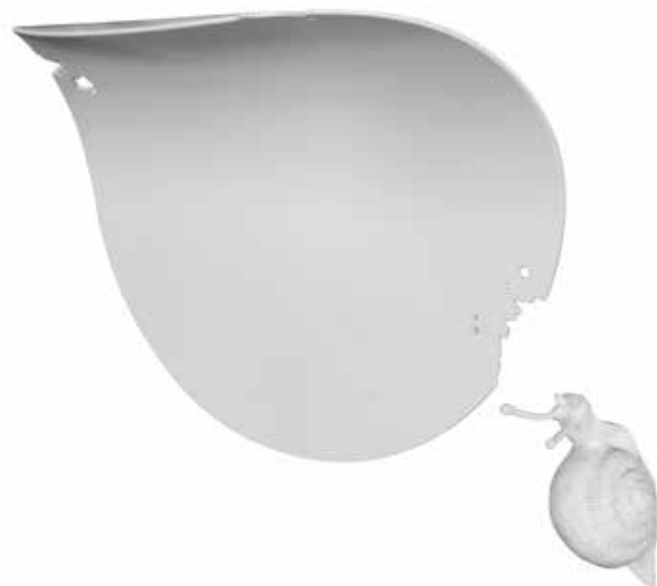


# VA-LENTINA

**AC115 OB INT  
+ AP115 OB V11**

**module LED 18W  
1800 lumen, 3000 K**



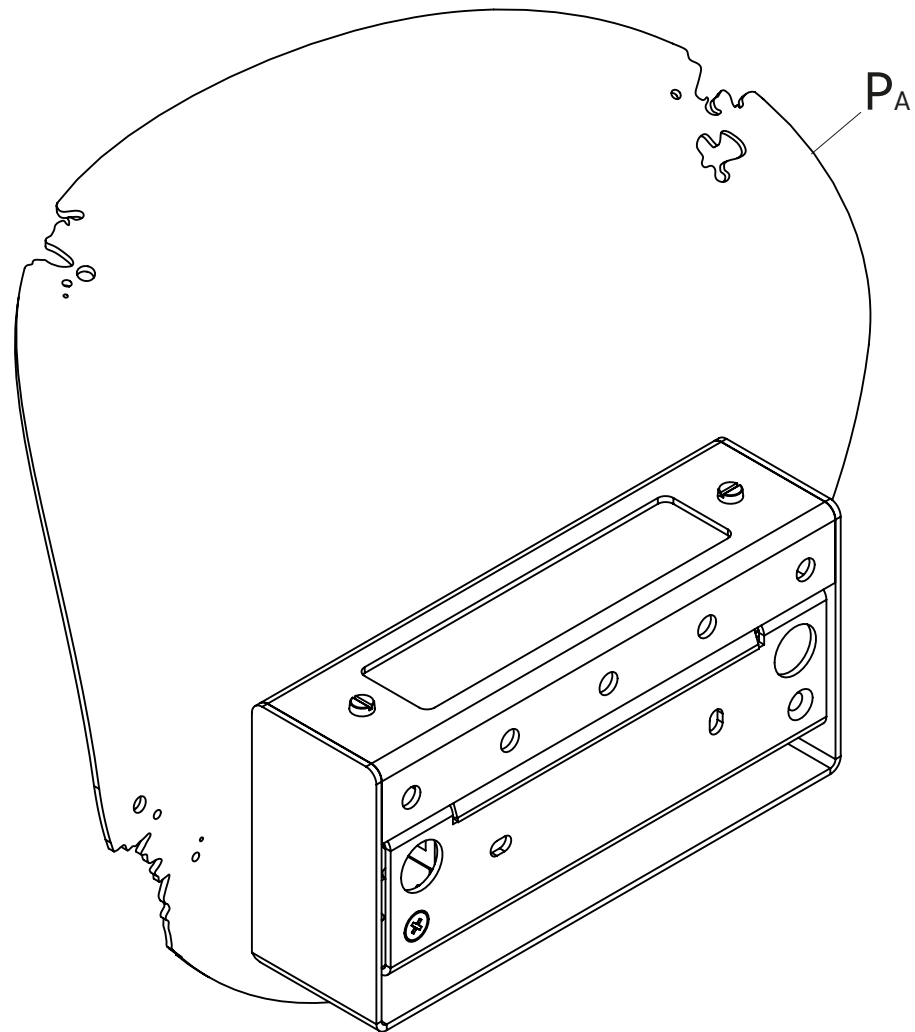
**DRY LOCATION**

**Karman srl**

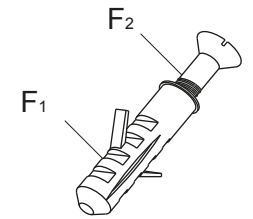
Via A. Grandi, San Martino del piano, 61034 Fossombrone (PU), Italy - p.iva 02175640412 tel +39 0721 71 5042 r.a fax +39 0721 716640 - [www.karmanitalia.it](http://www.karmanitalia.it)



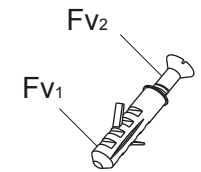
# C - 01



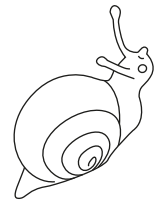
2x F

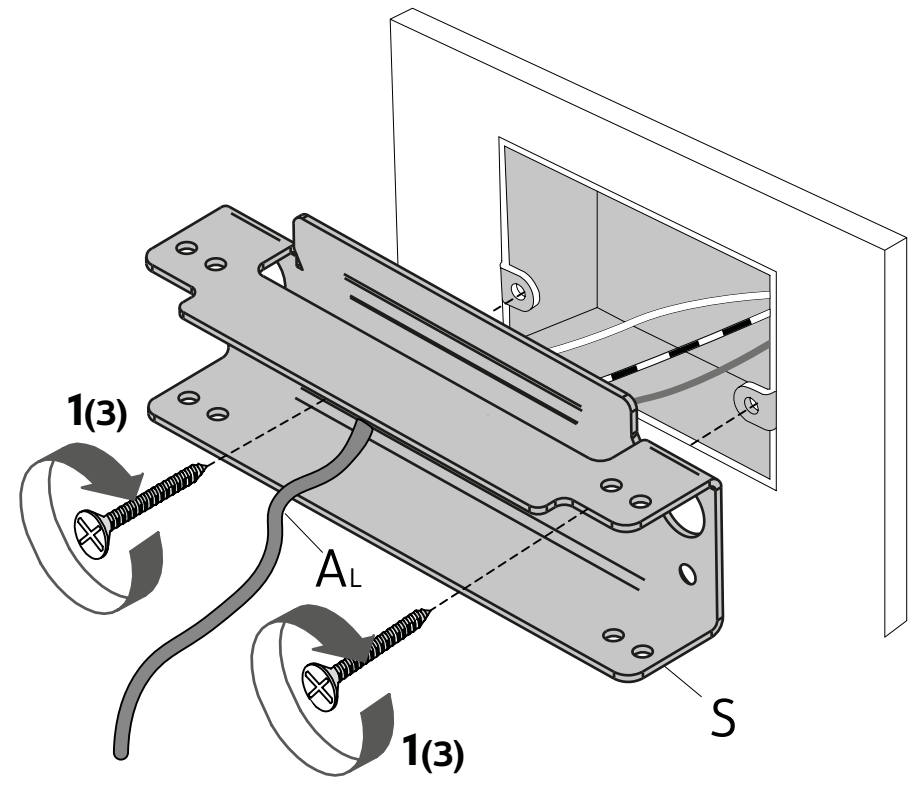
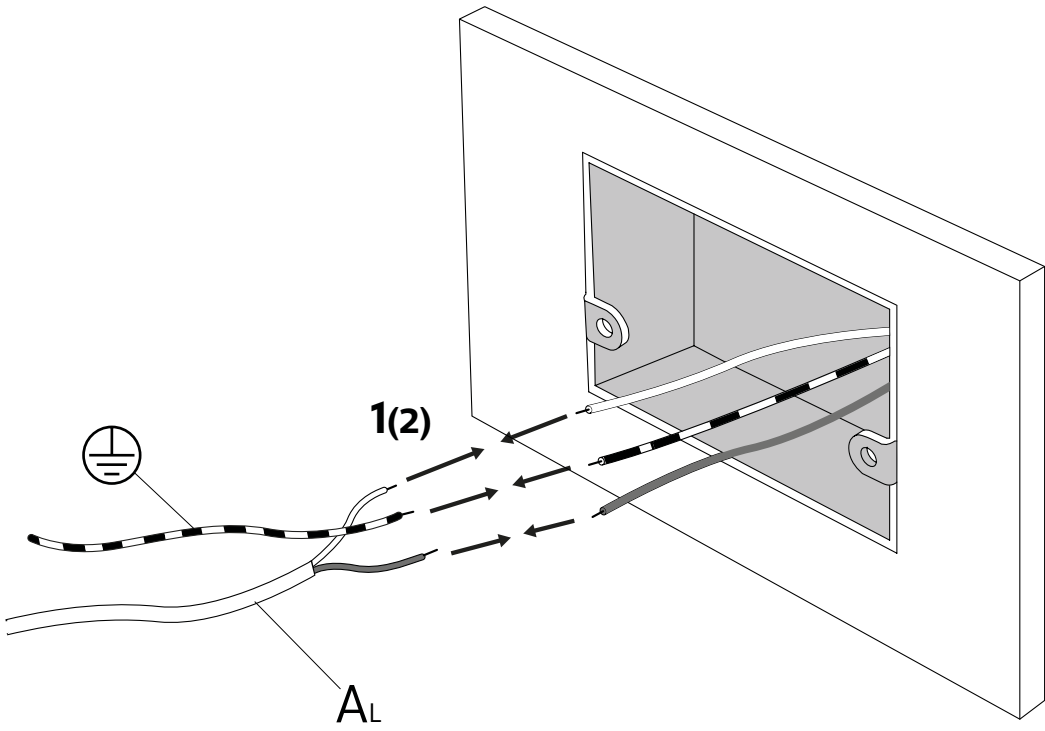
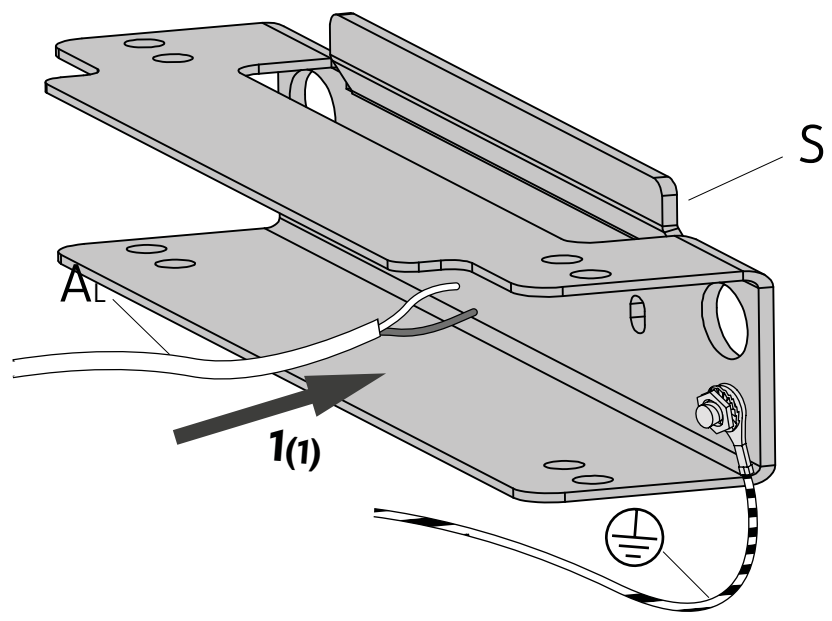
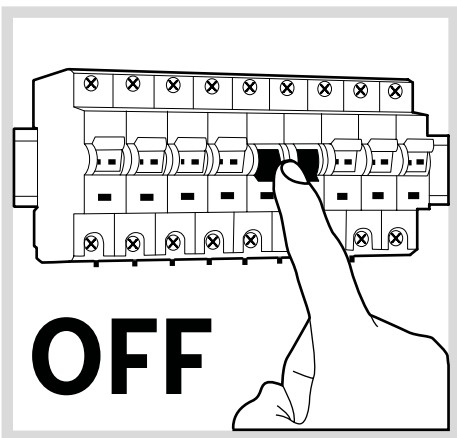


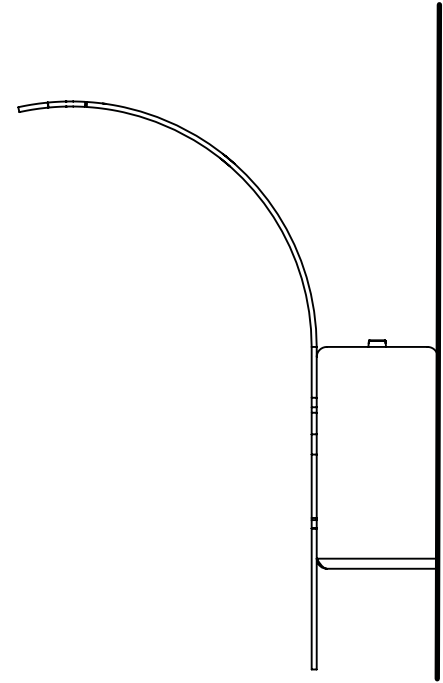
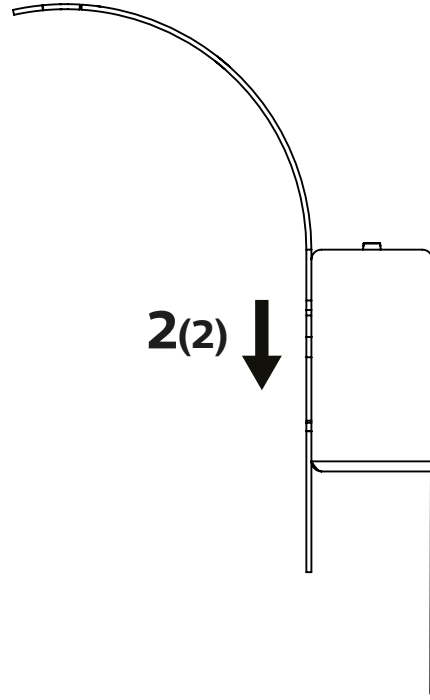
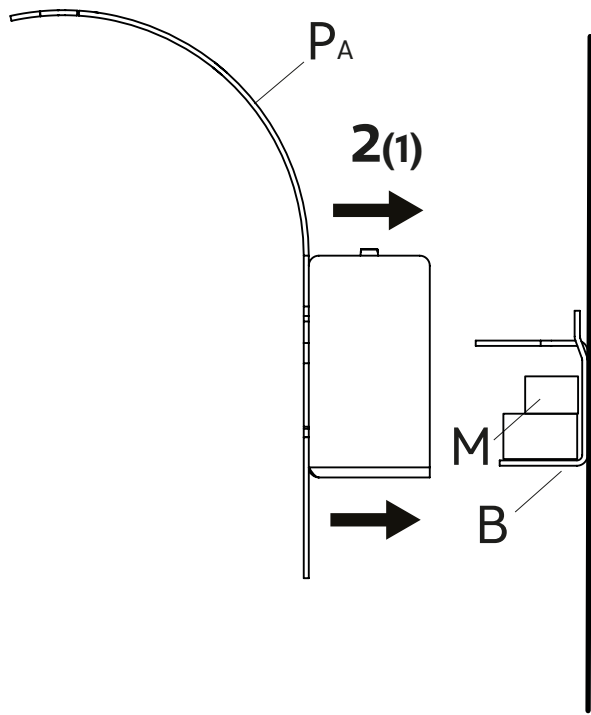
2x Fv



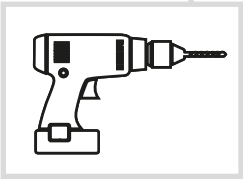
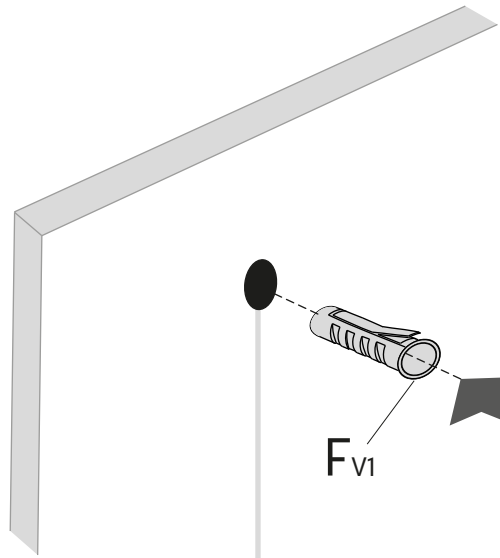
Nx Va







3

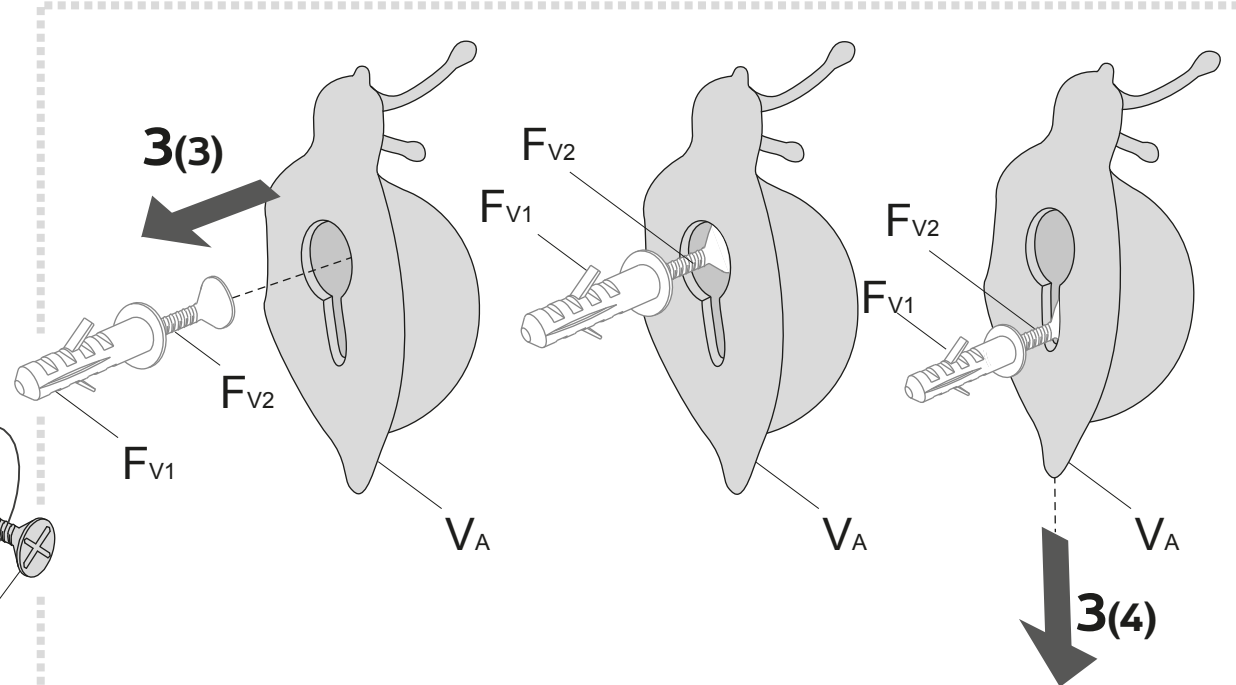


3(1)

F<sub>v1</sub>

3(2)

F<sub>v2</sub>



3(3)

F<sub>v2</sub>

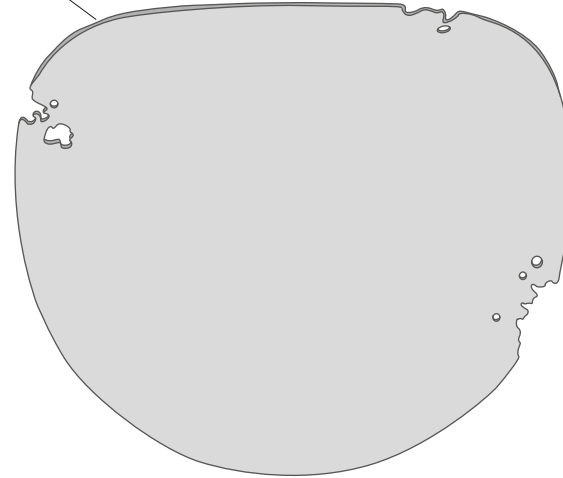
F<sub>v1</sub>

F<sub>v2</sub>

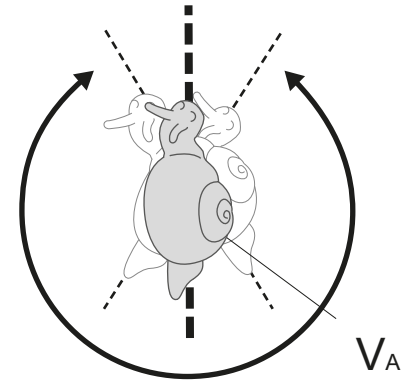
F<sub>v1</sub>

3(4)

P<sub>A</sub>

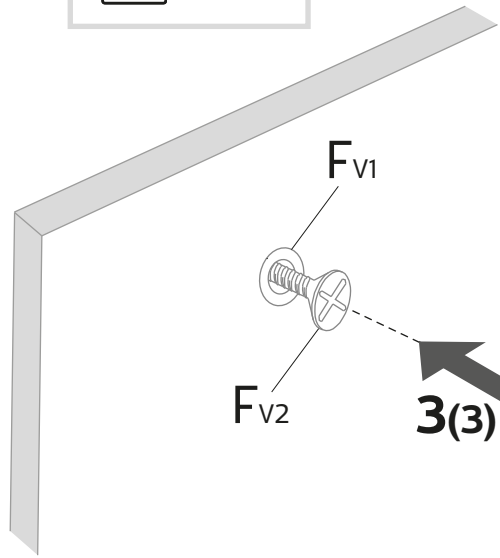


NO



YES

V<sub>A</sub>



F<sub>v1</sub>

F<sub>v2</sub>

3(3)

V<sub>A</sub>

