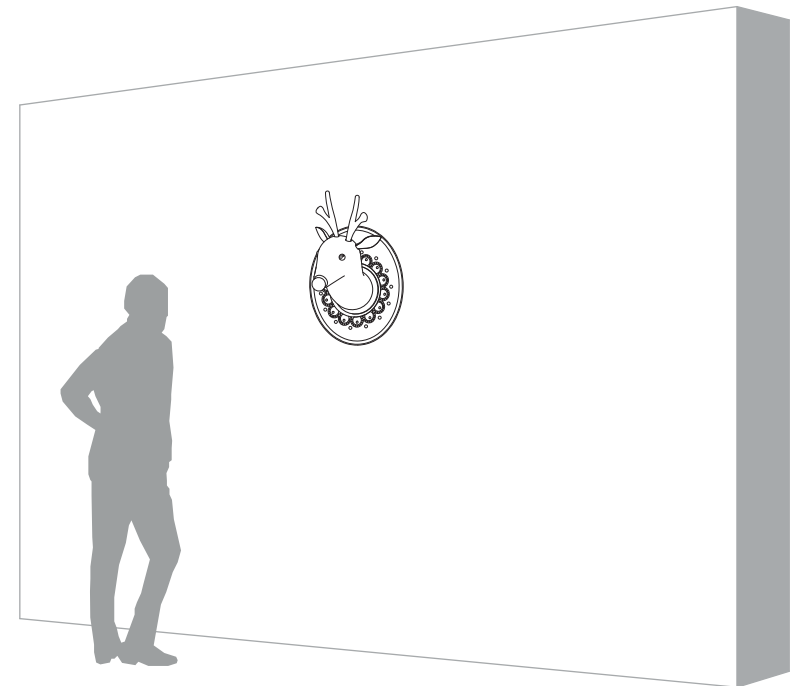


MARNÌN



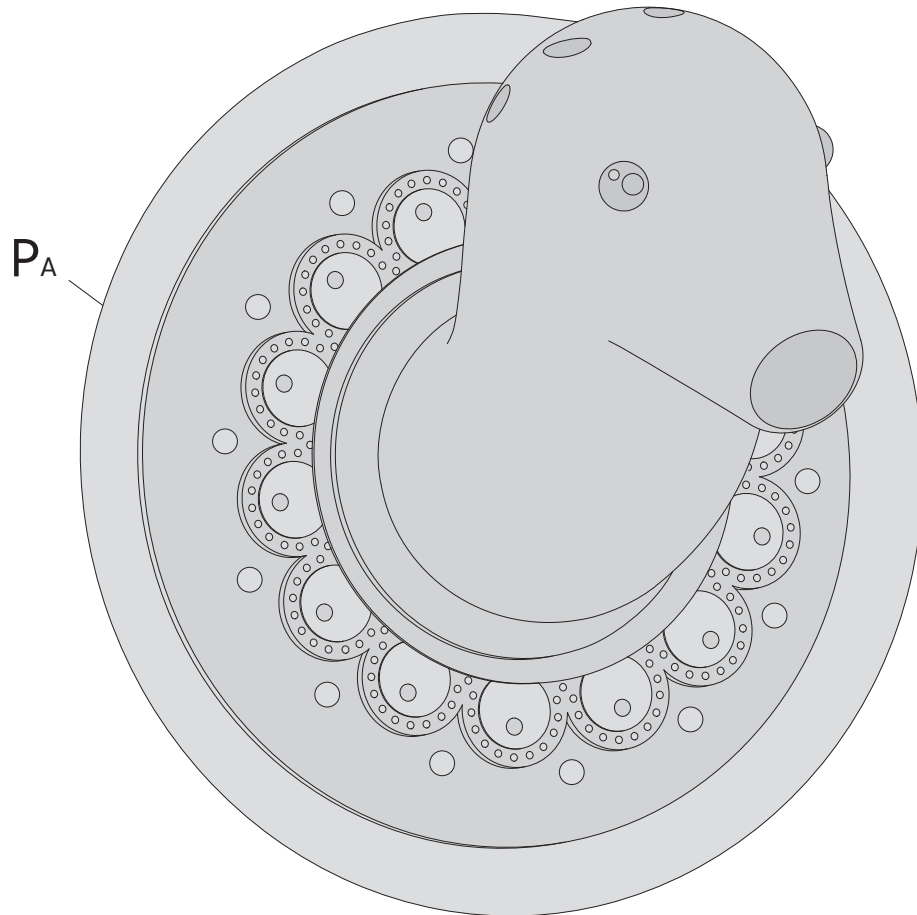
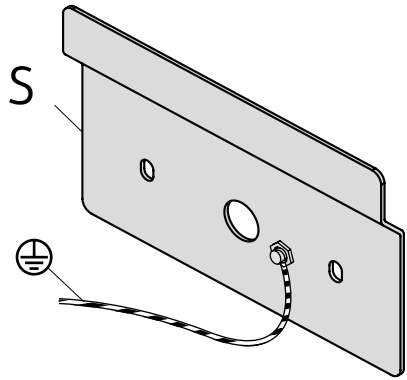
AP645MV11

**110 V.
max 1x18W LED - E26**

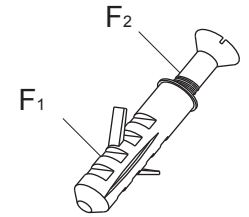


DRY LOCATION

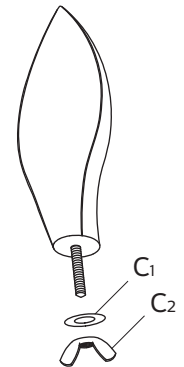
C - 01



2x F



2x O



2x C

