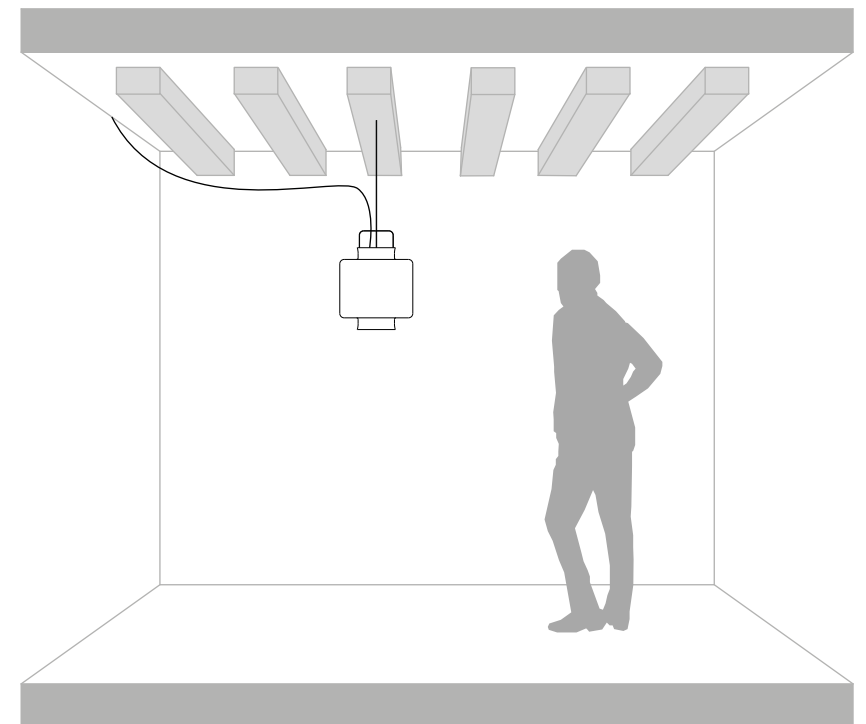


KIMONO

SE635V-V1E
SE636V-V1E

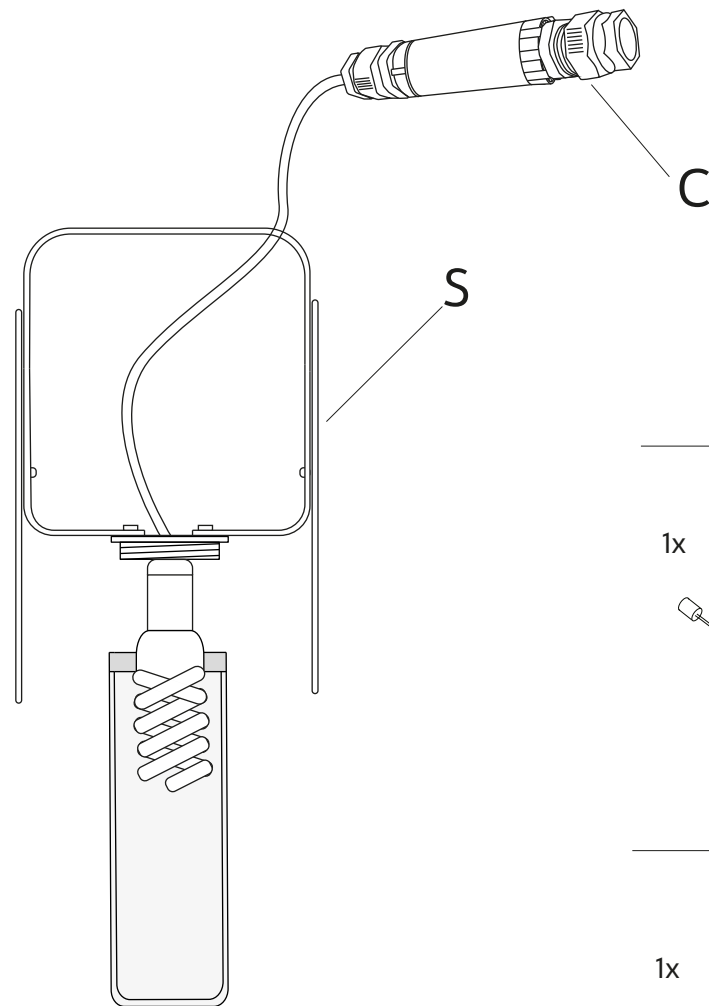
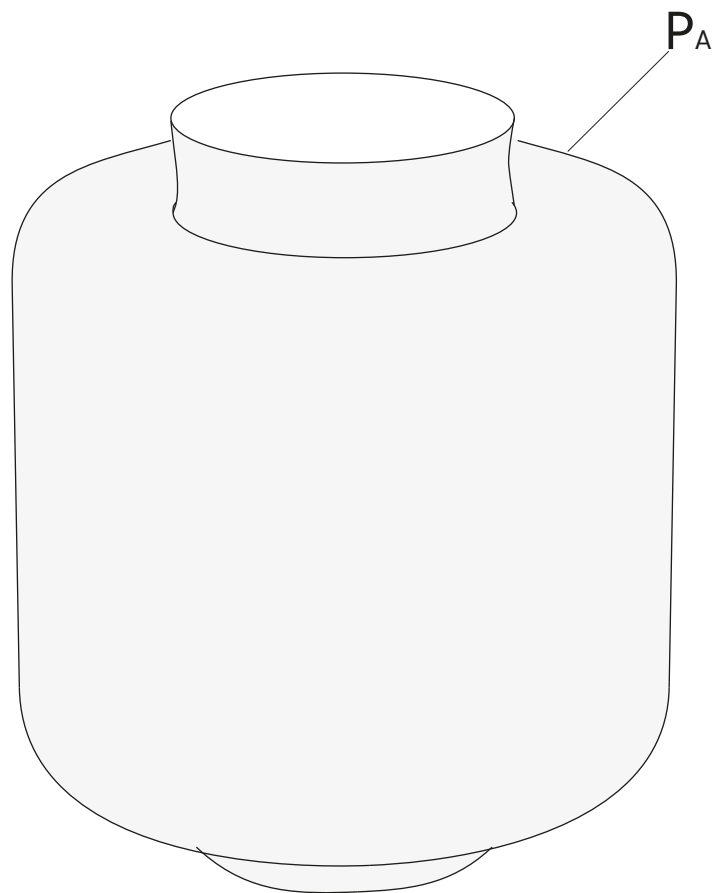
110 V.
max 1x18W LED - E26



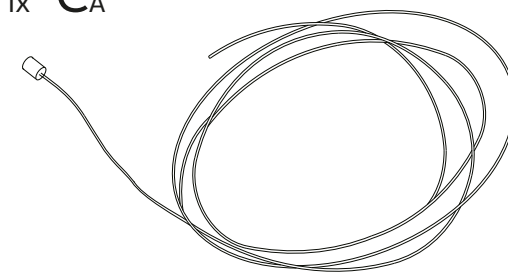
DAMP LOCATION

Karman srl

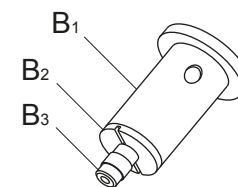
Via A. Grandi, San Martino del piano, 61034 Fossombrone (PU), Italy - p.iva 02175640412 tel +39 0721 71 5042 r.a fax +39 0721 716640 - www.karmanitalia.it



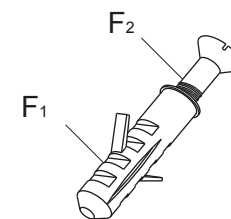
1x CA

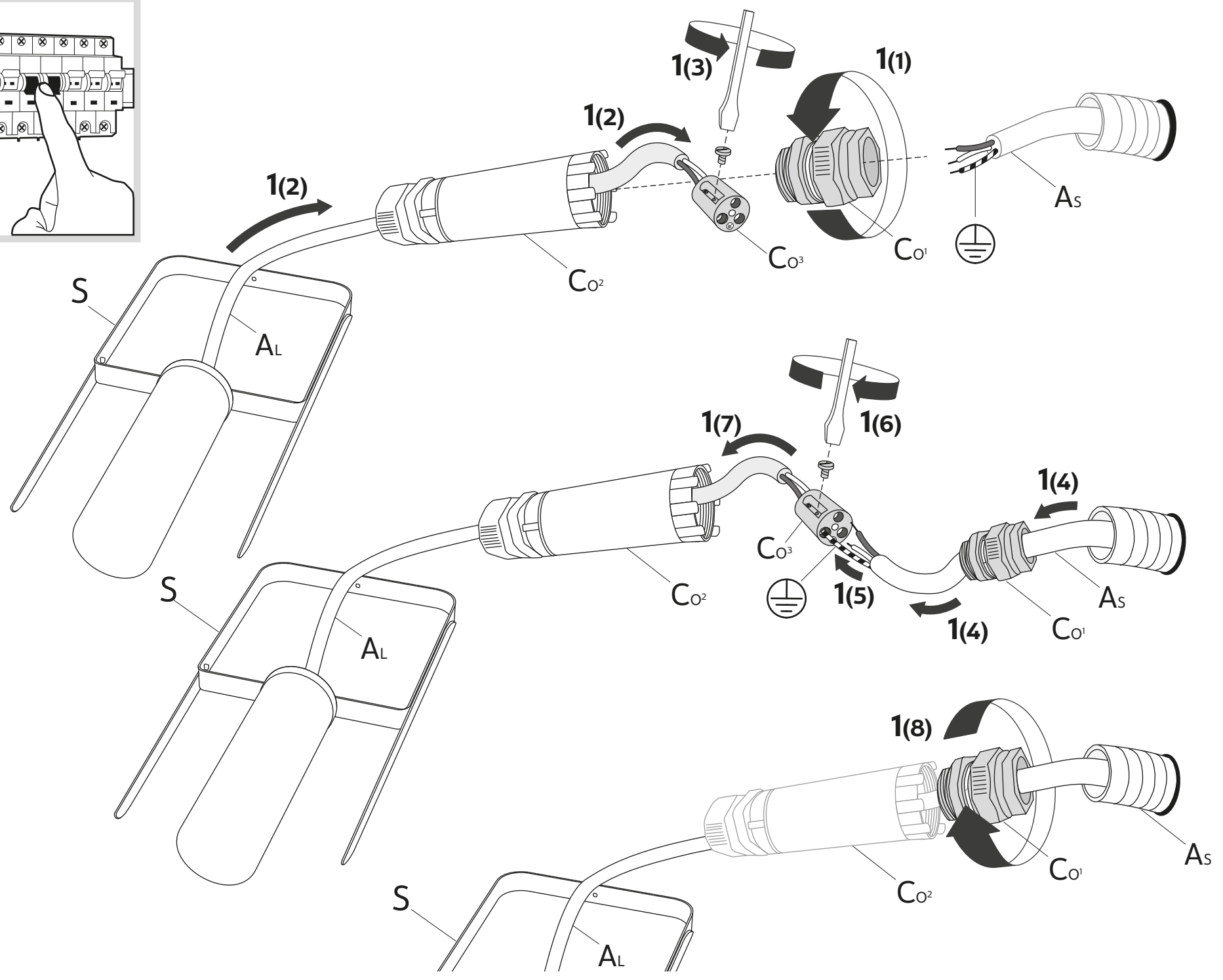
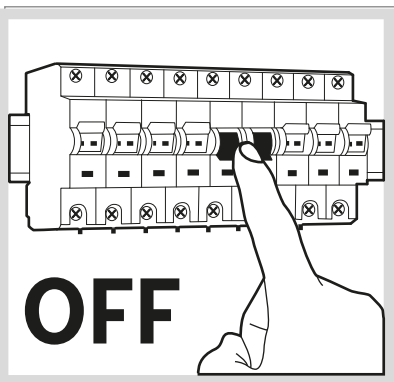


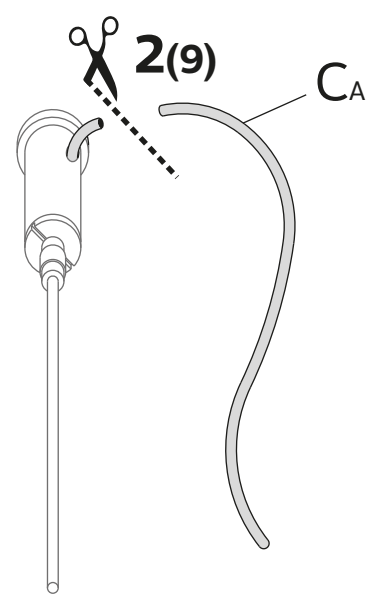
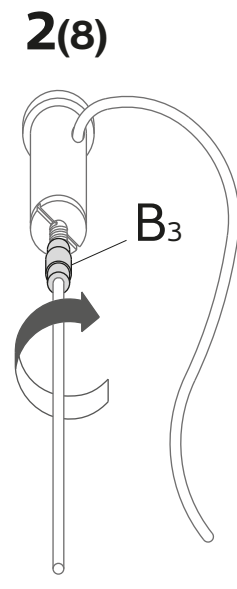
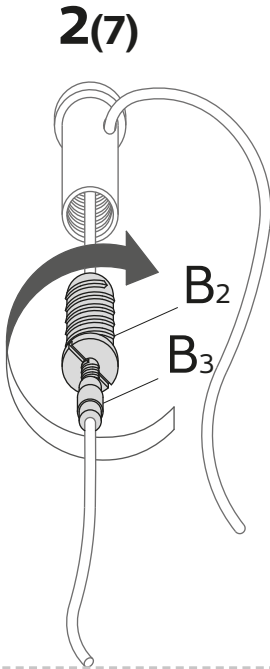
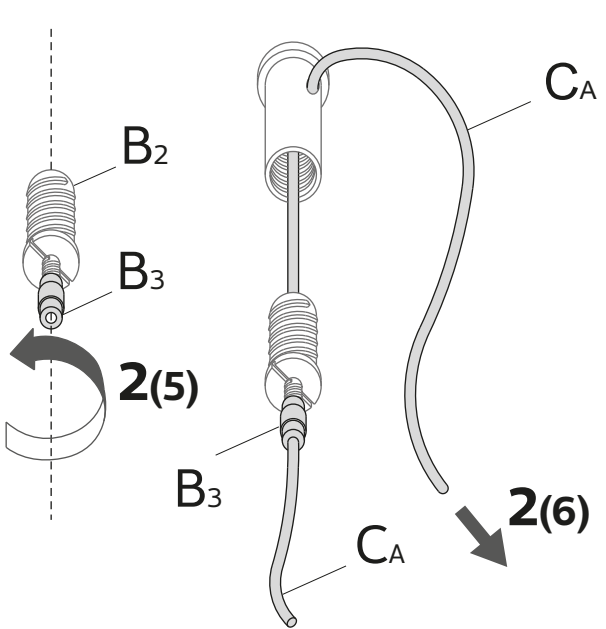
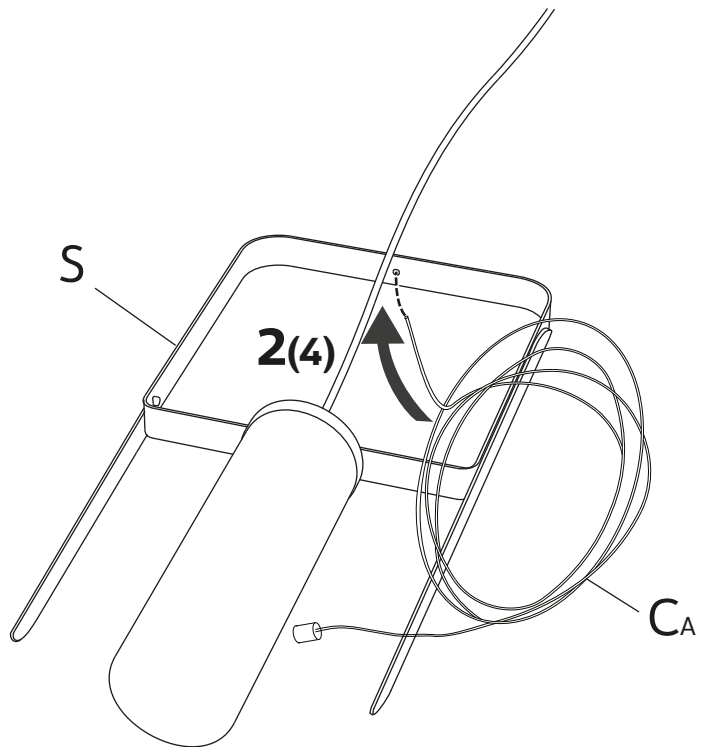
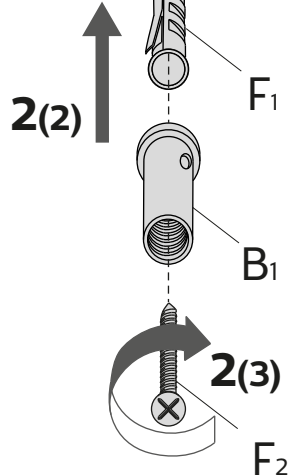
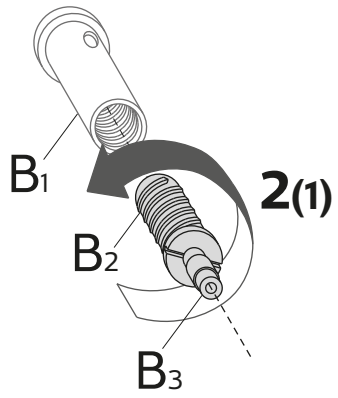
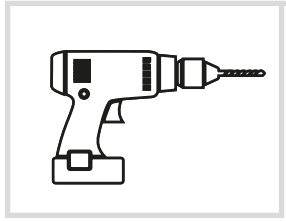
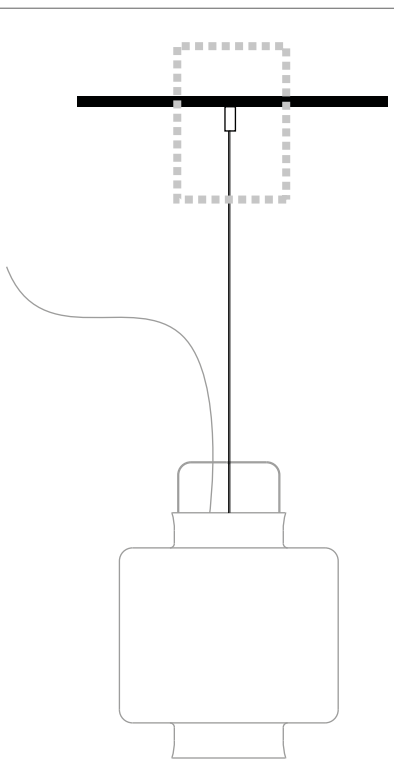
1x B

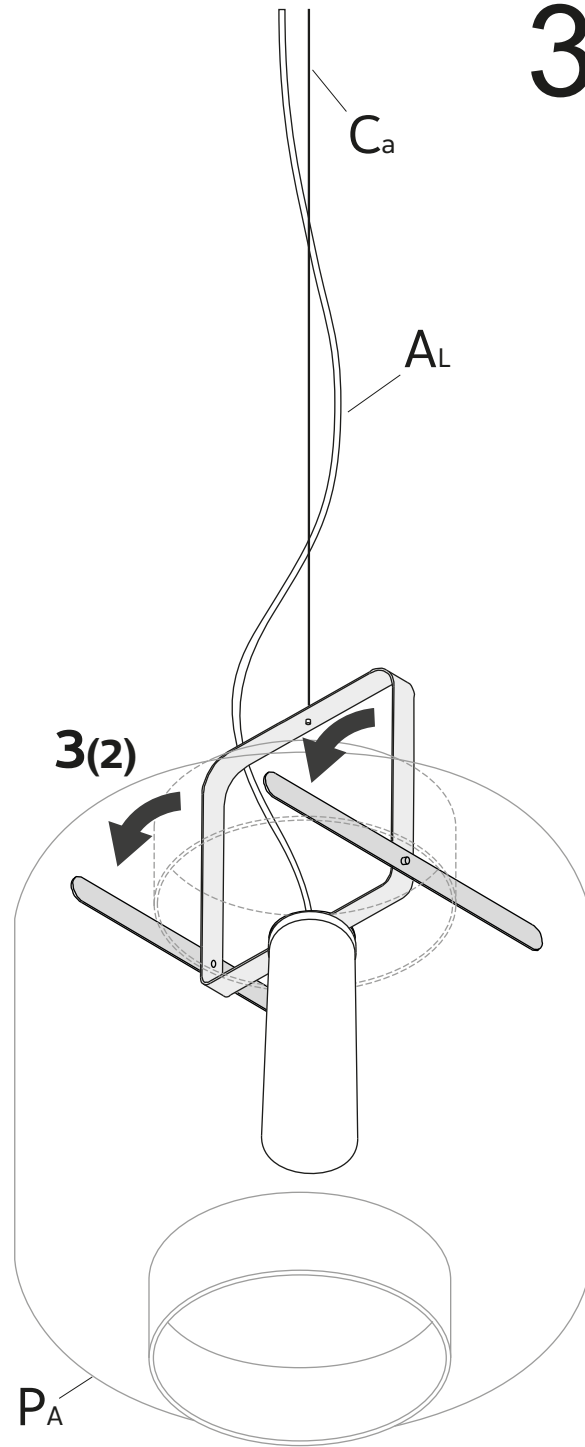
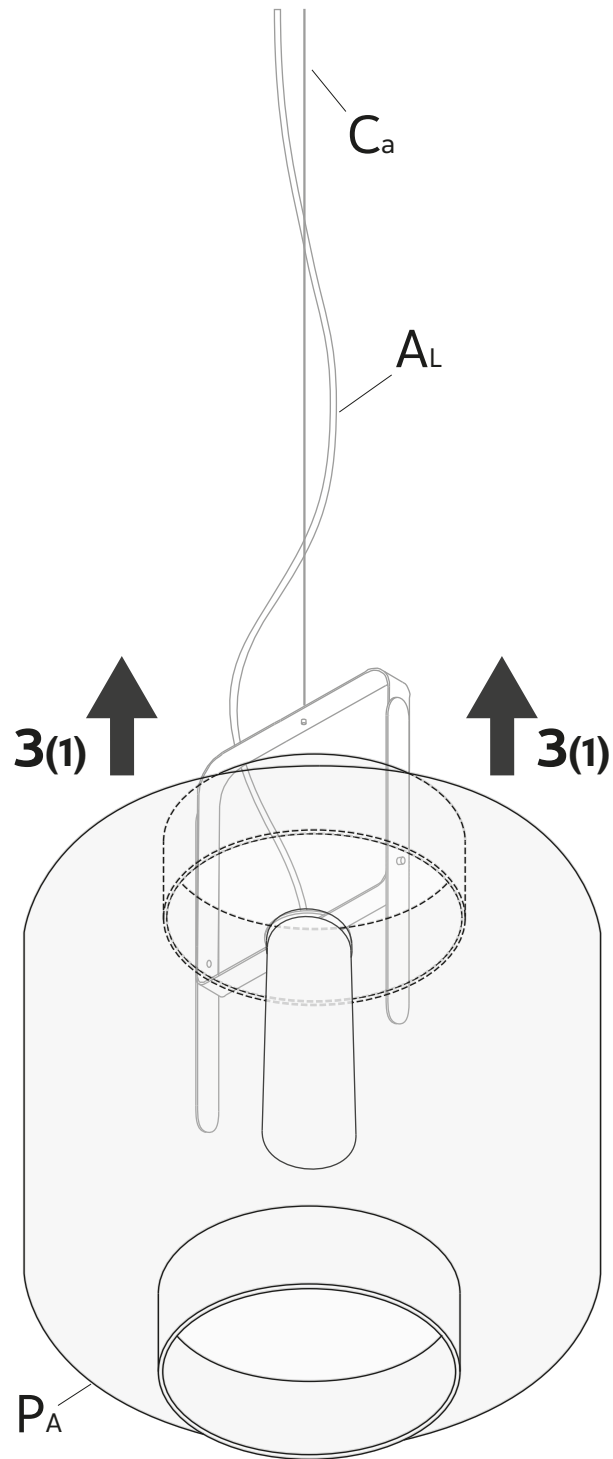


1x F









3

