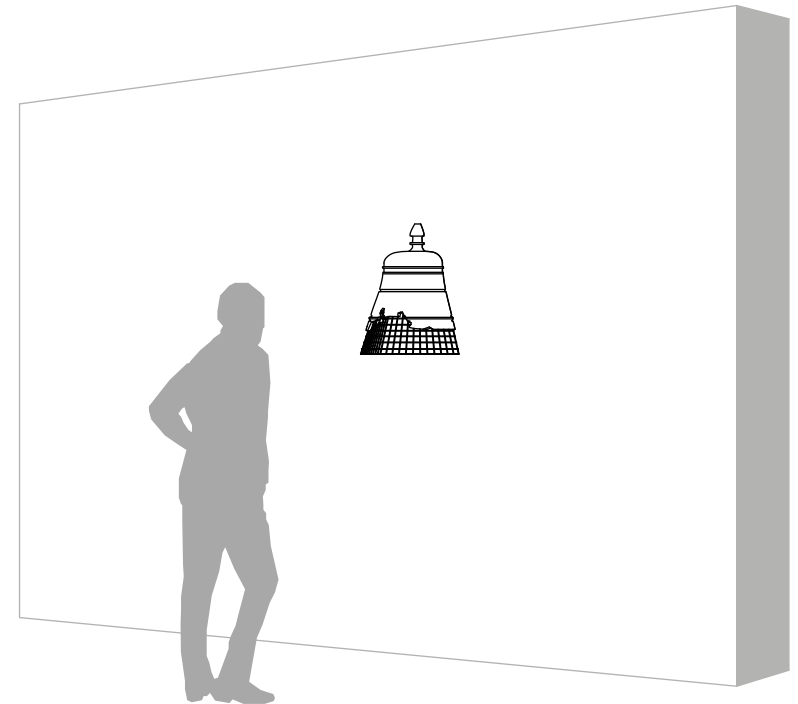


DOMENICA

AP102 1B V1U
AP102 1O V1U



110 V.
max 1x18W led - E26

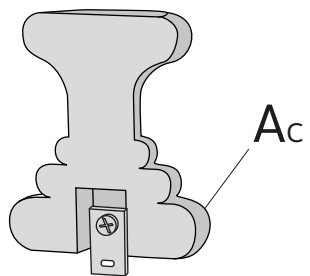


DRY LOCATION

Karman srl

Via A. Grandi, San Martino del piano, 61034 Fossombrone (PU), Italy - p.iva 02175640412 tel +39 0721 71 5042 r.a fax +39 0721 716640 - www.karmanitalia.it

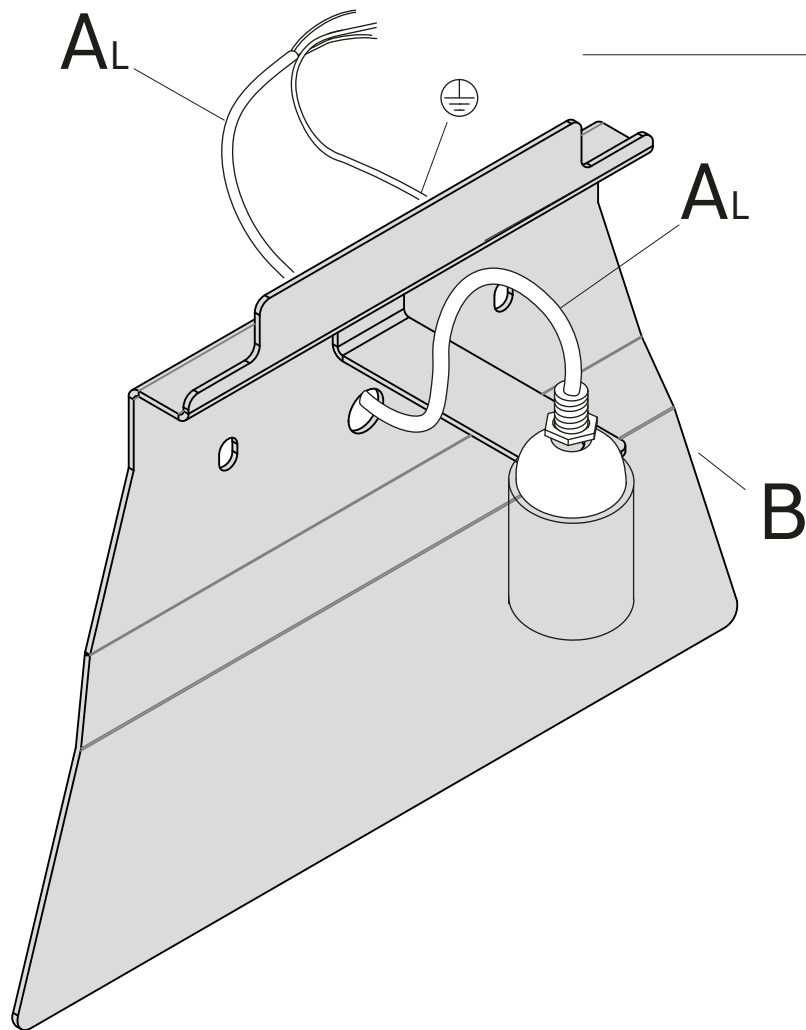
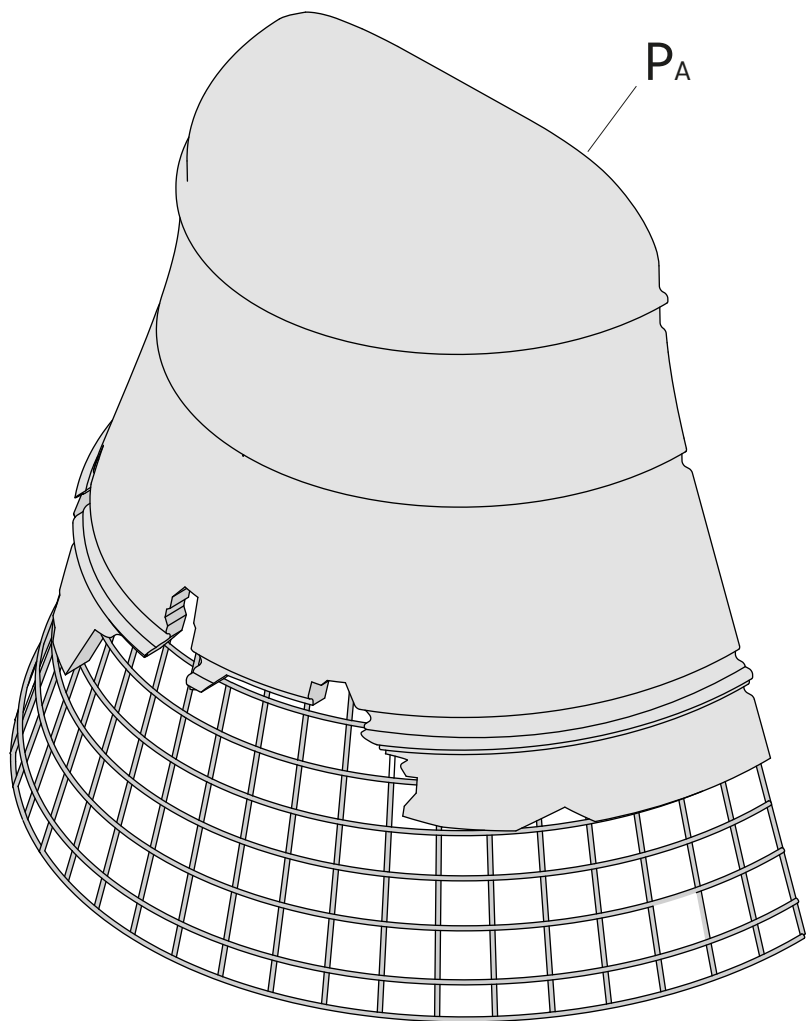
C - 01

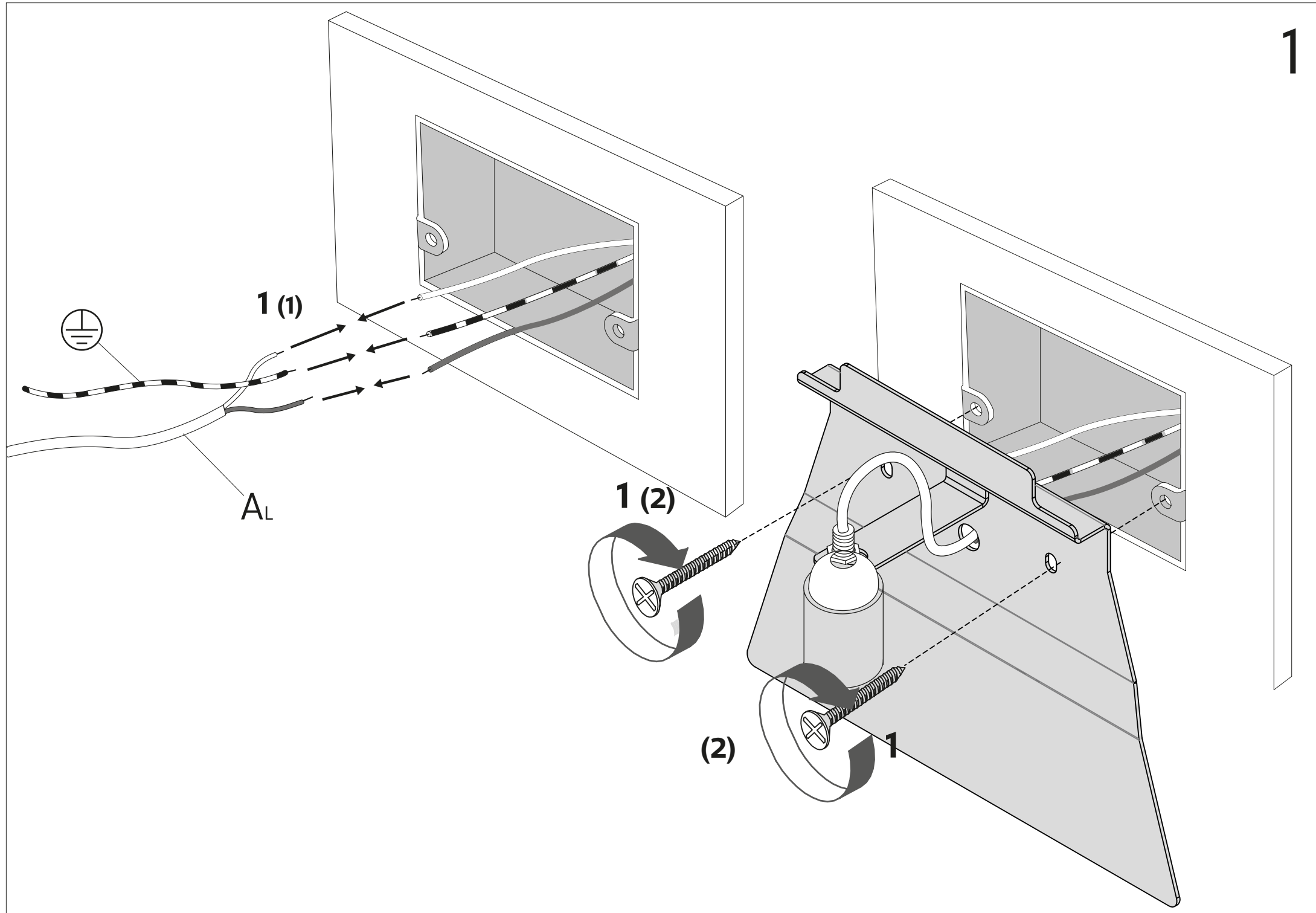


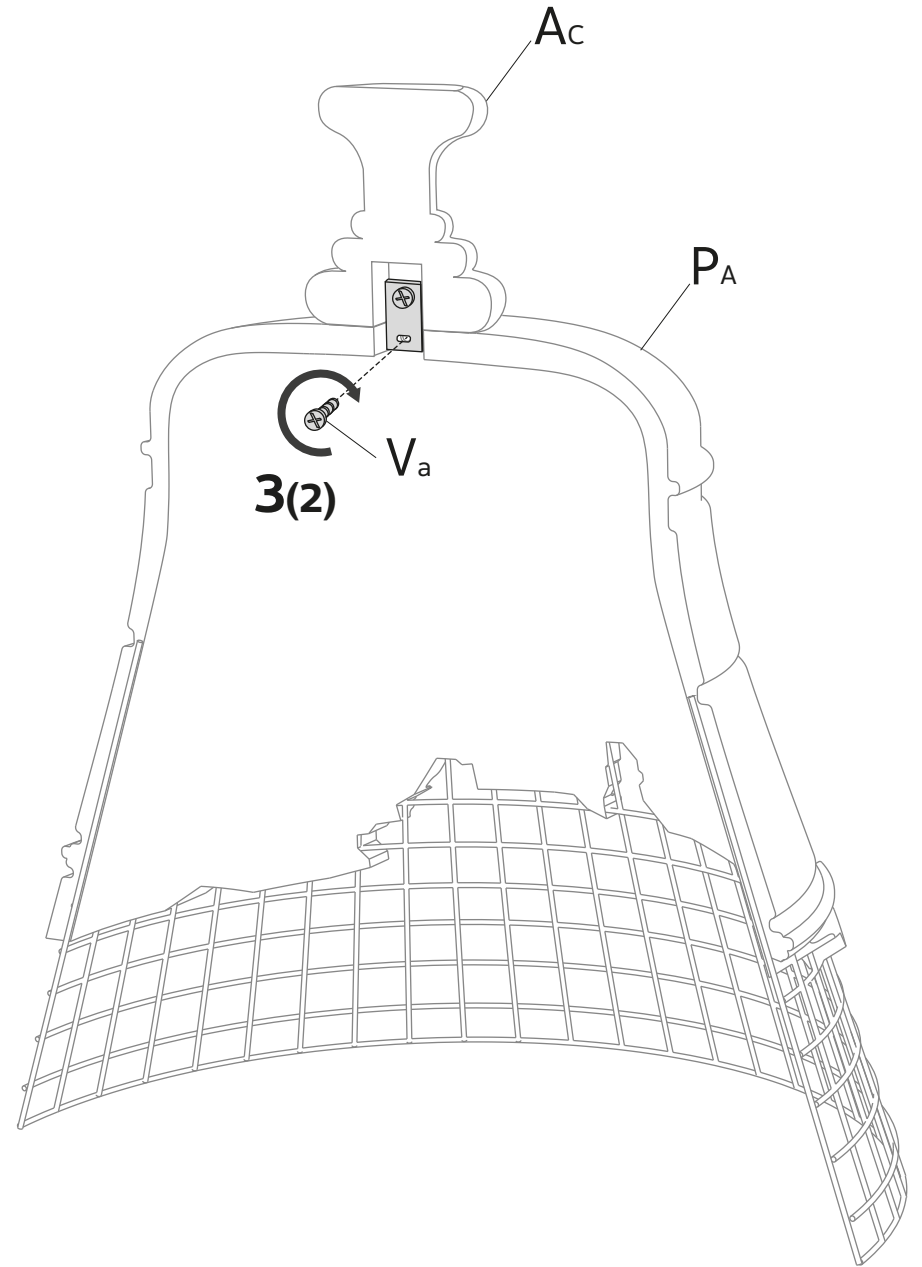
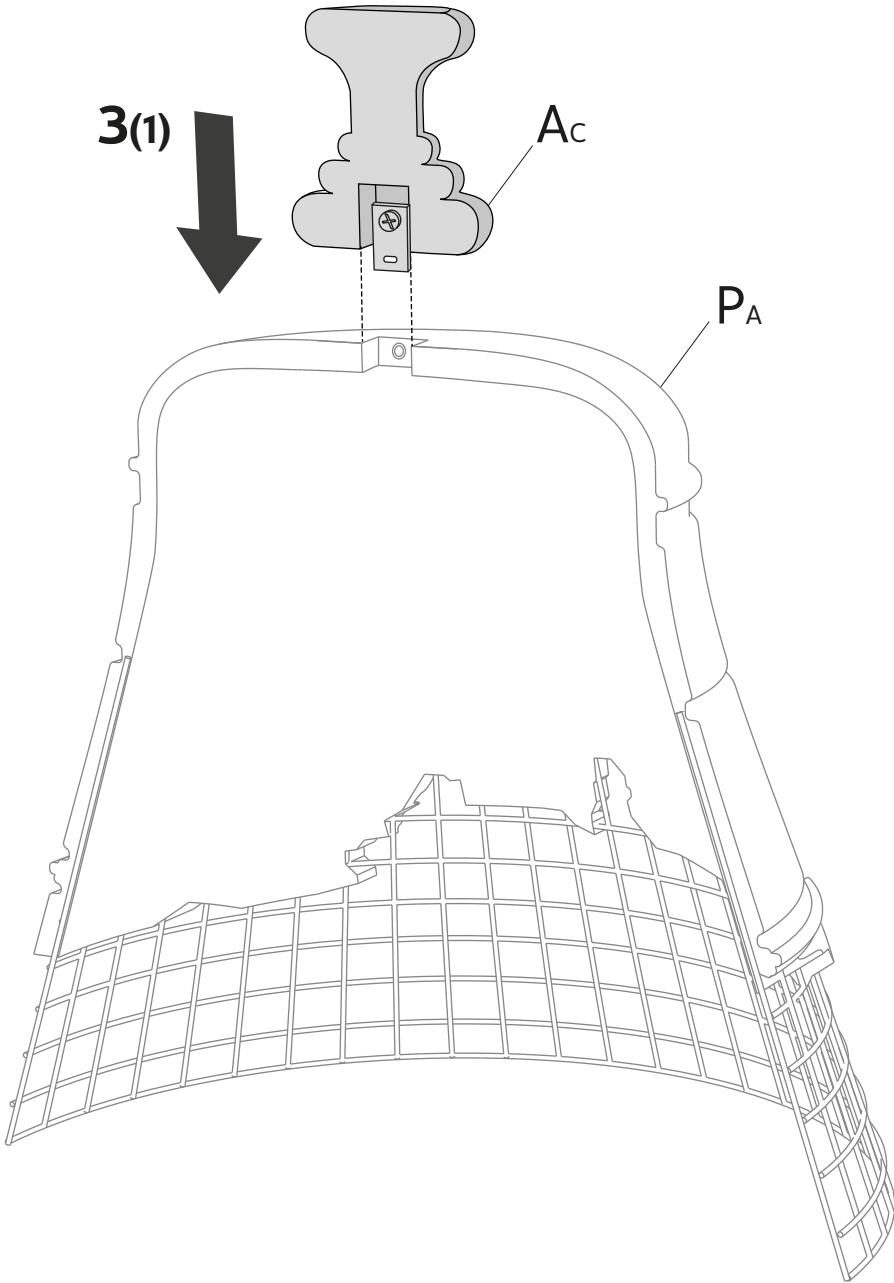
Va

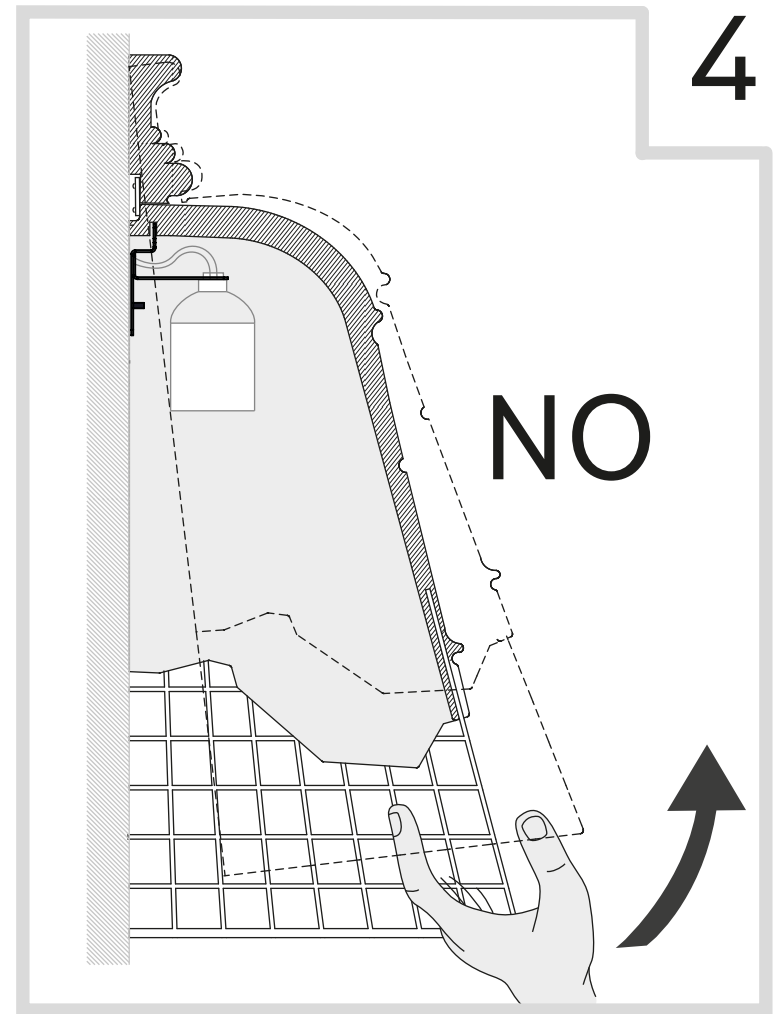
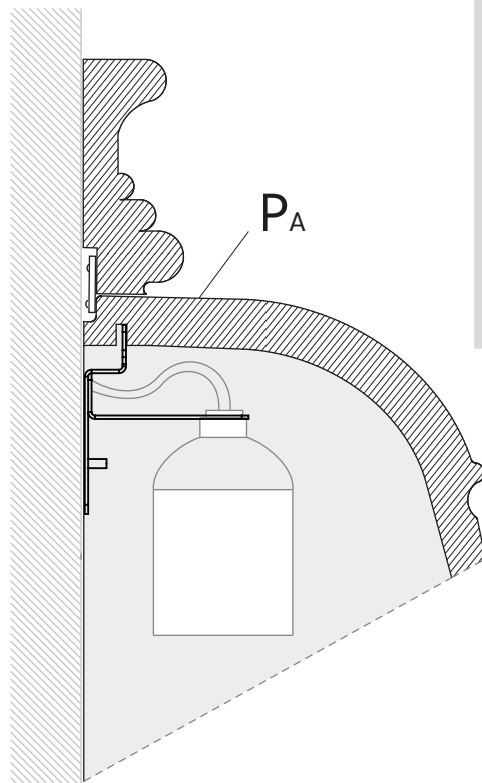
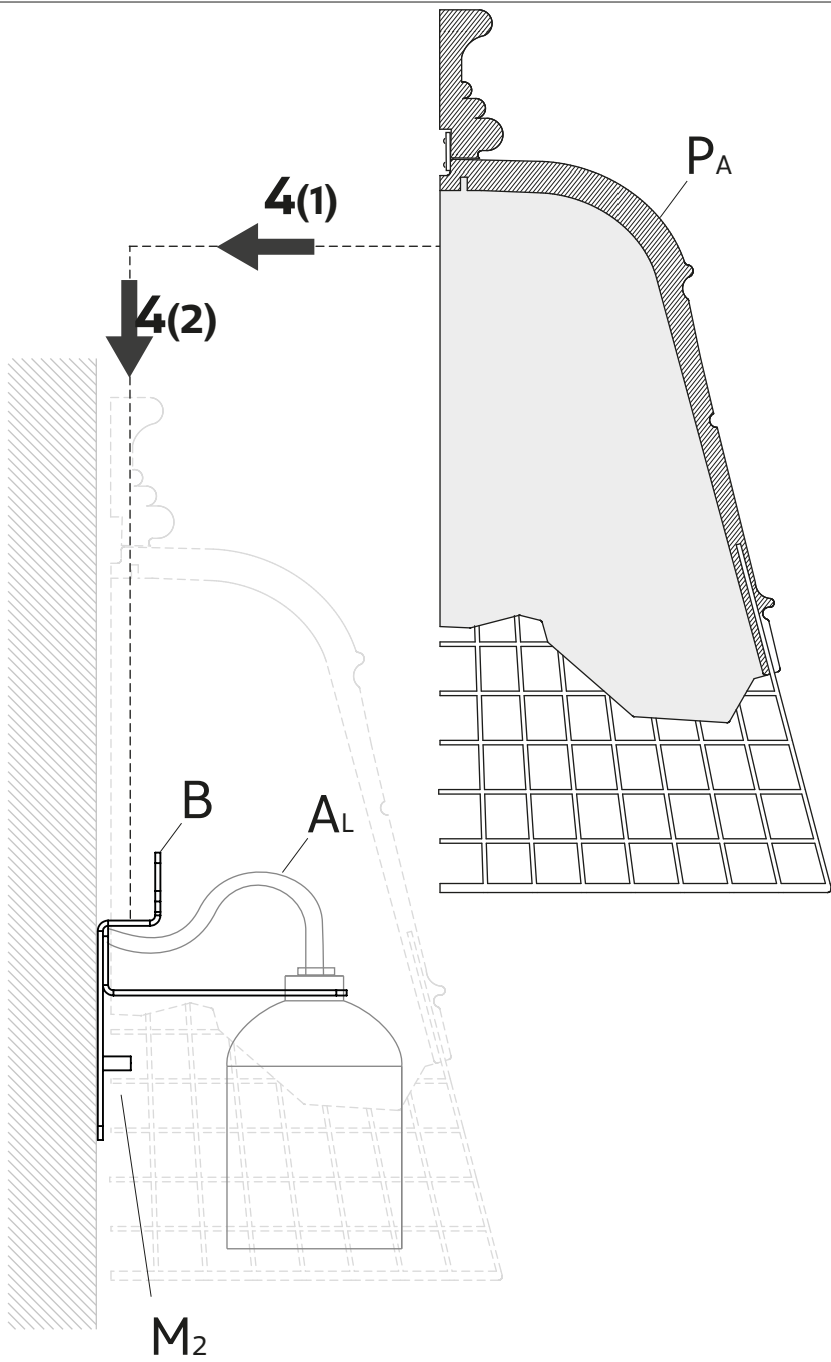


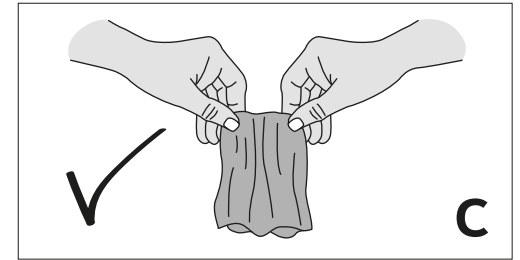
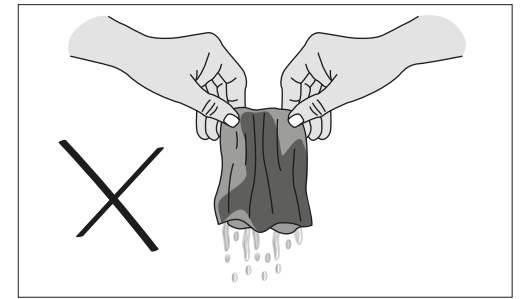
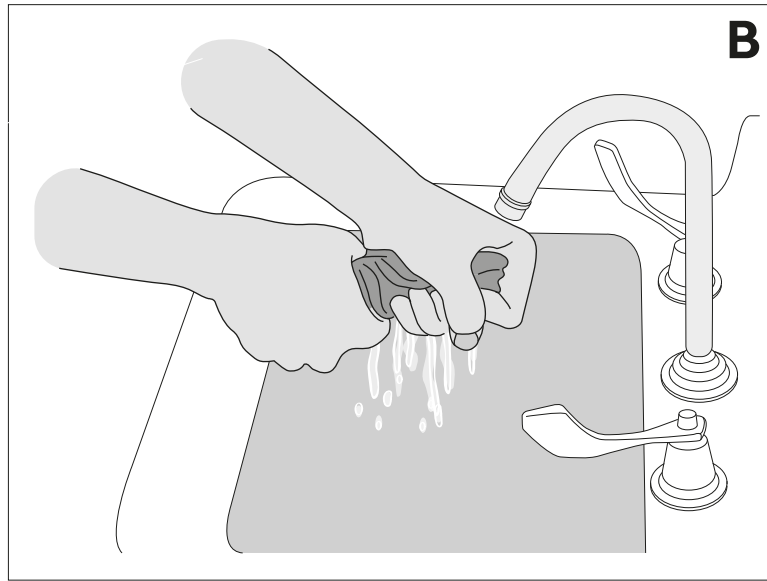
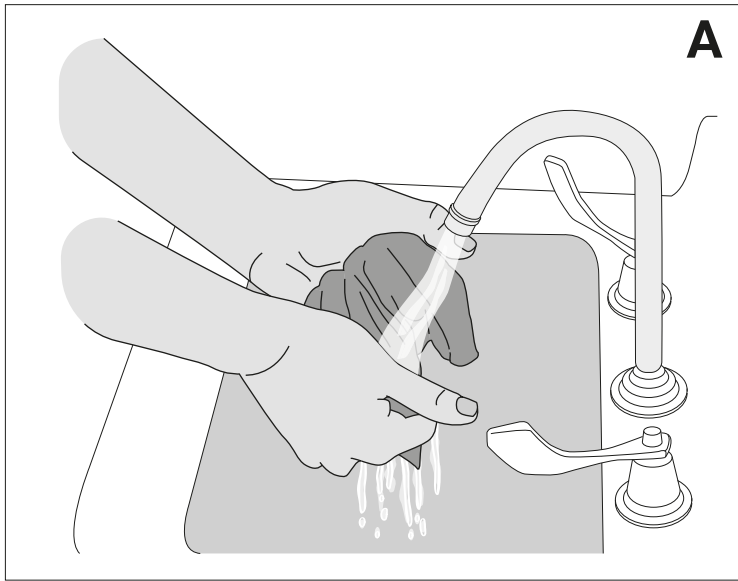
1x











chemical agents

chemical agents

alcohol

