

BRAILLE



SE144 2B V11



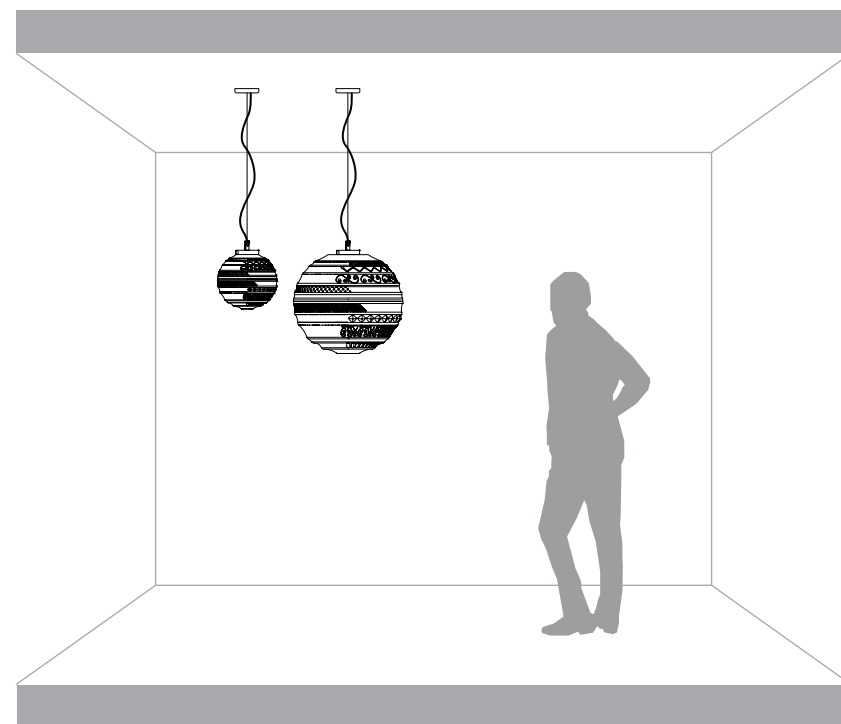
SE144 1B V11

**SE144 1B V11 (E12)
SE144 2B V11 (E26)**

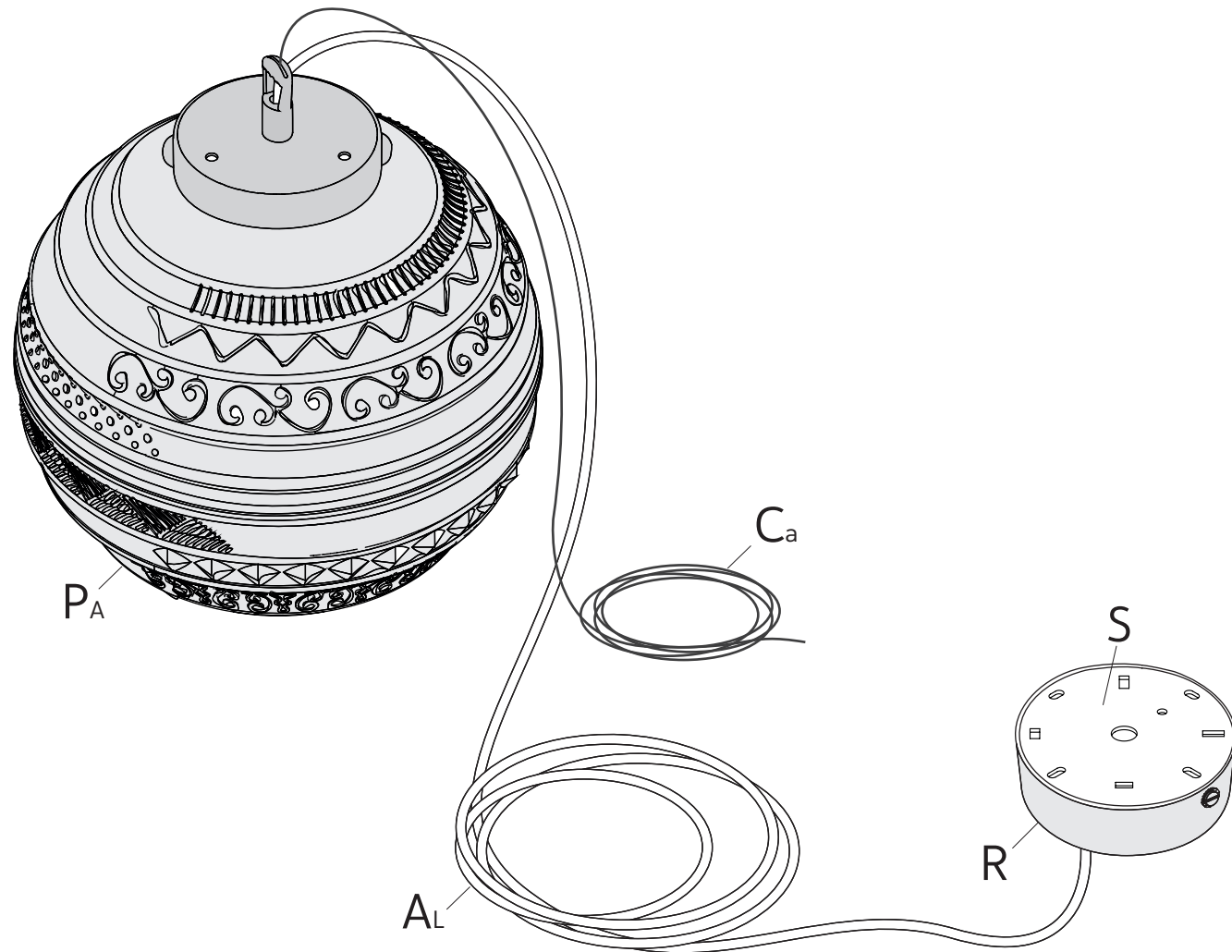
110V

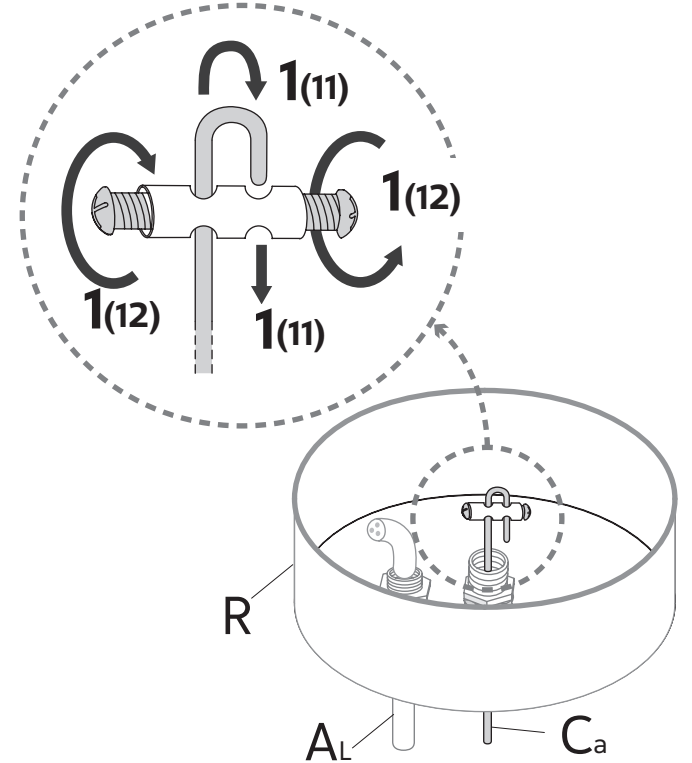
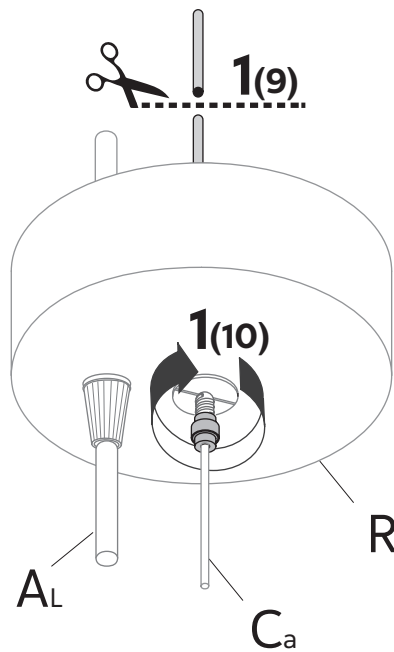
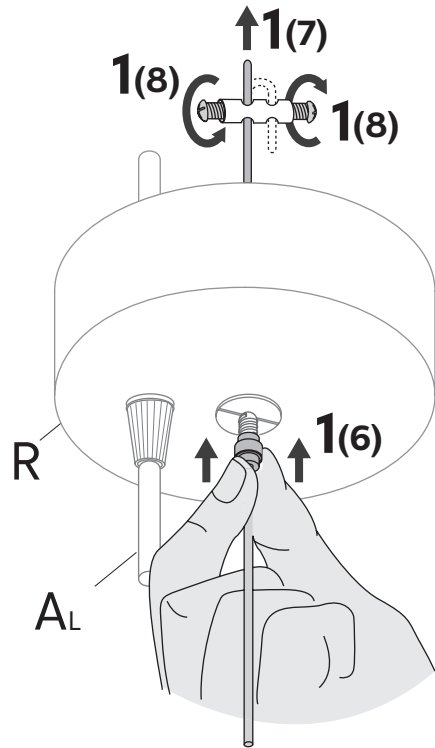
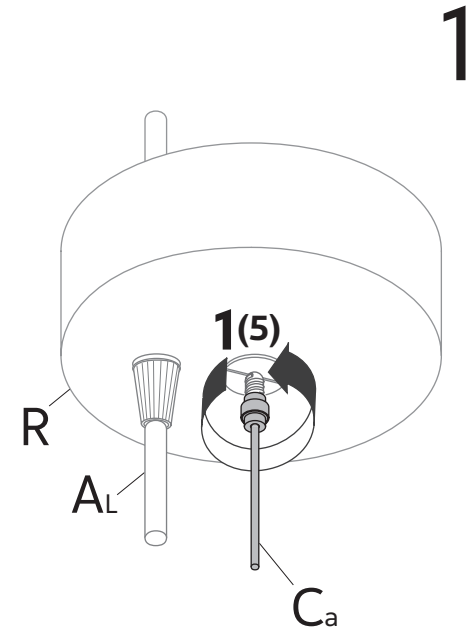
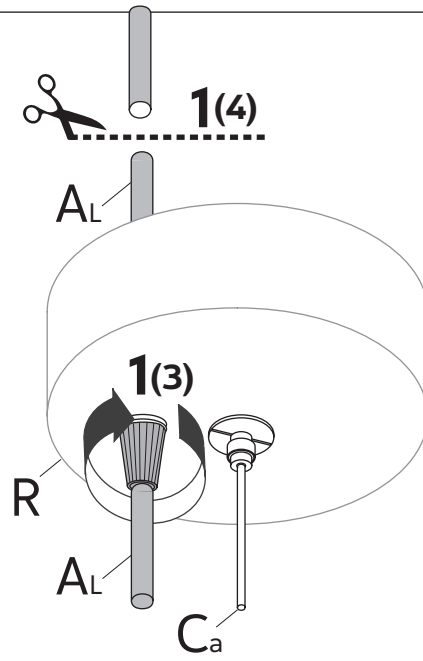
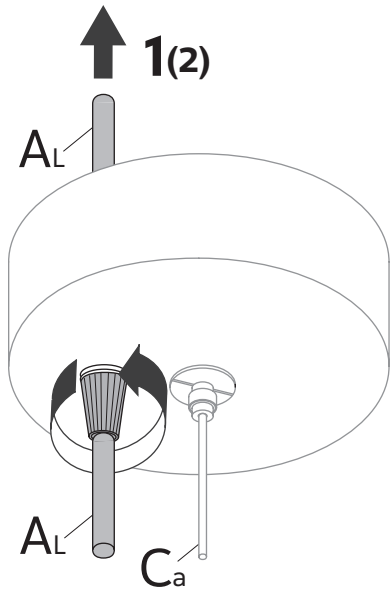
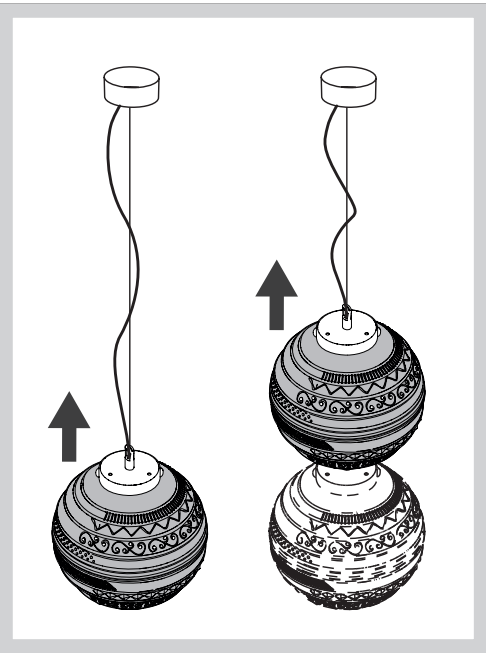
1 x max 6W - E12

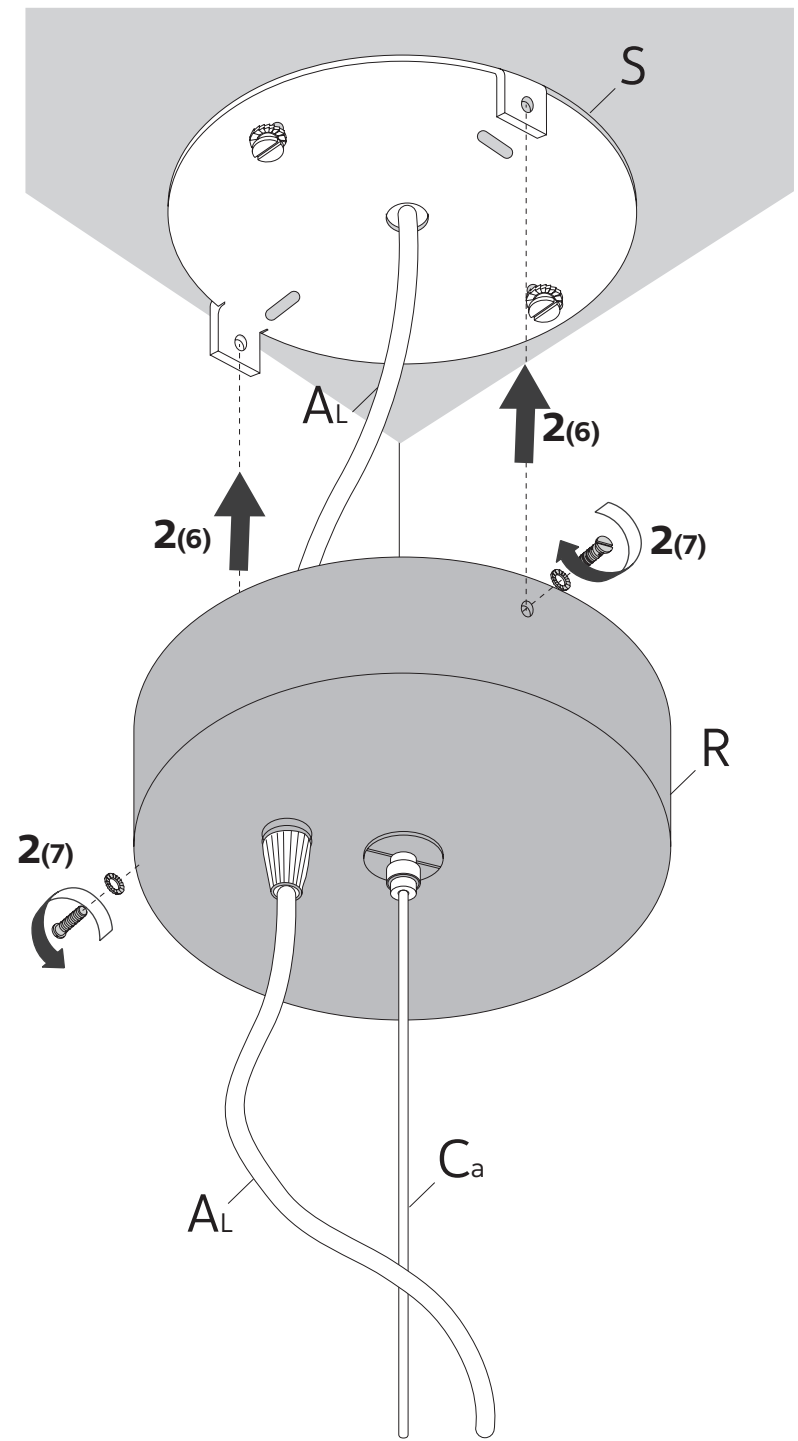
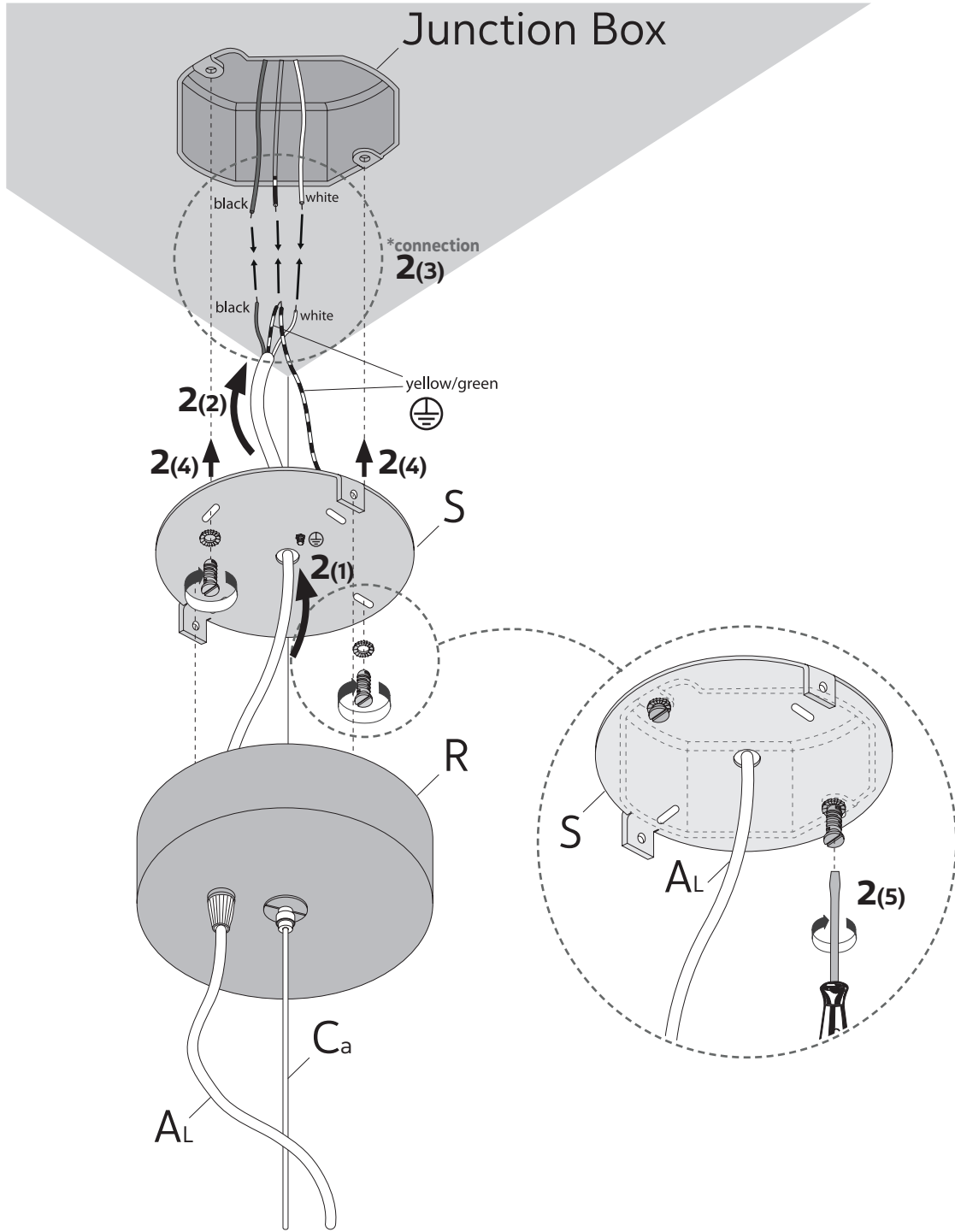
1 x max 18W LED - E26

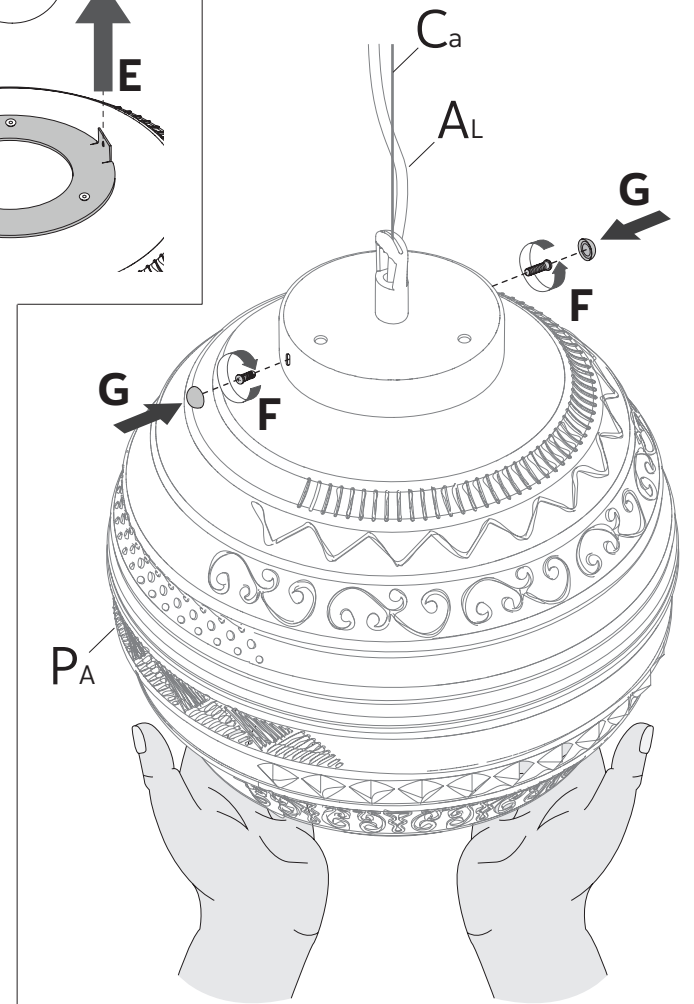
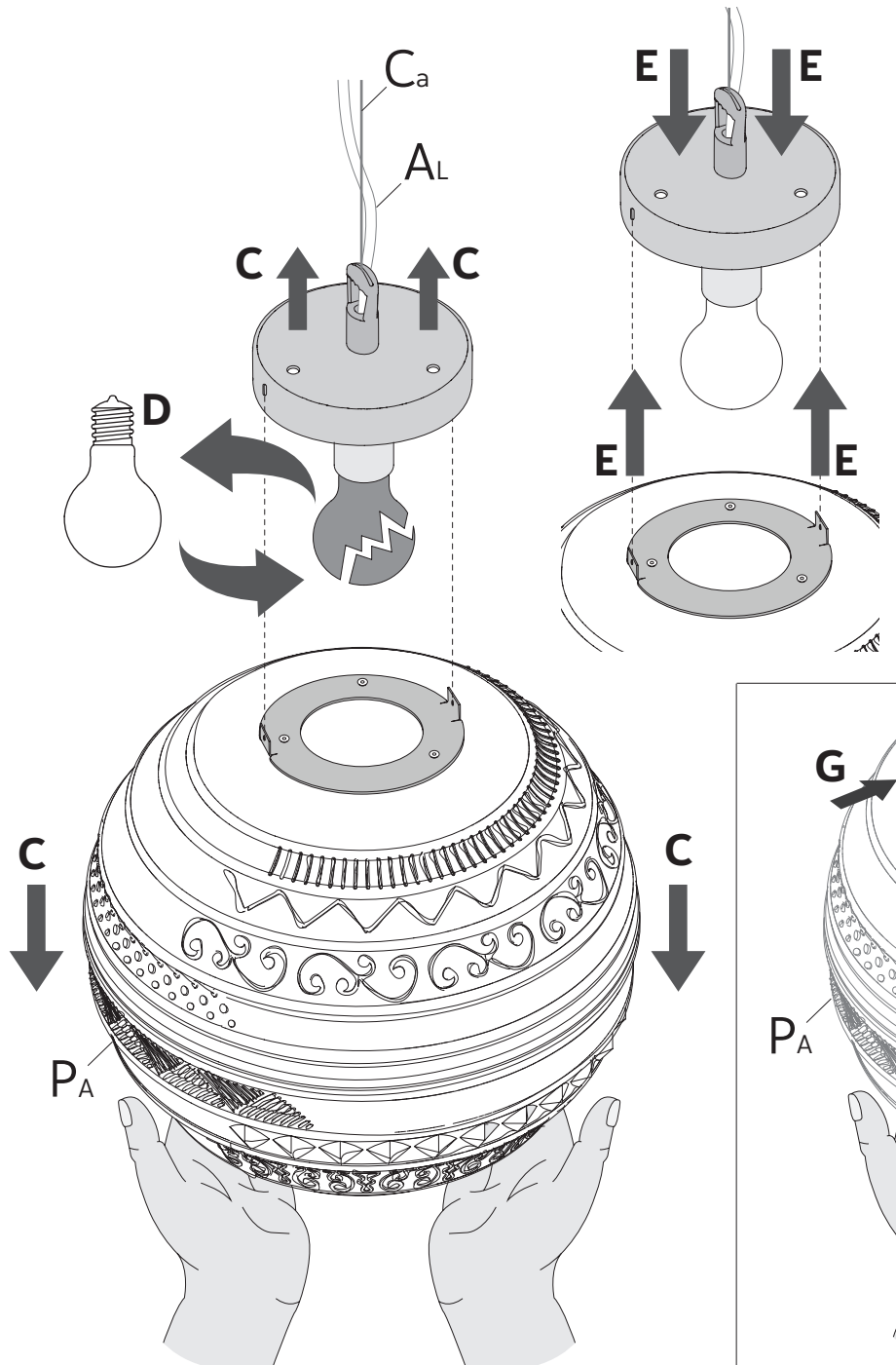
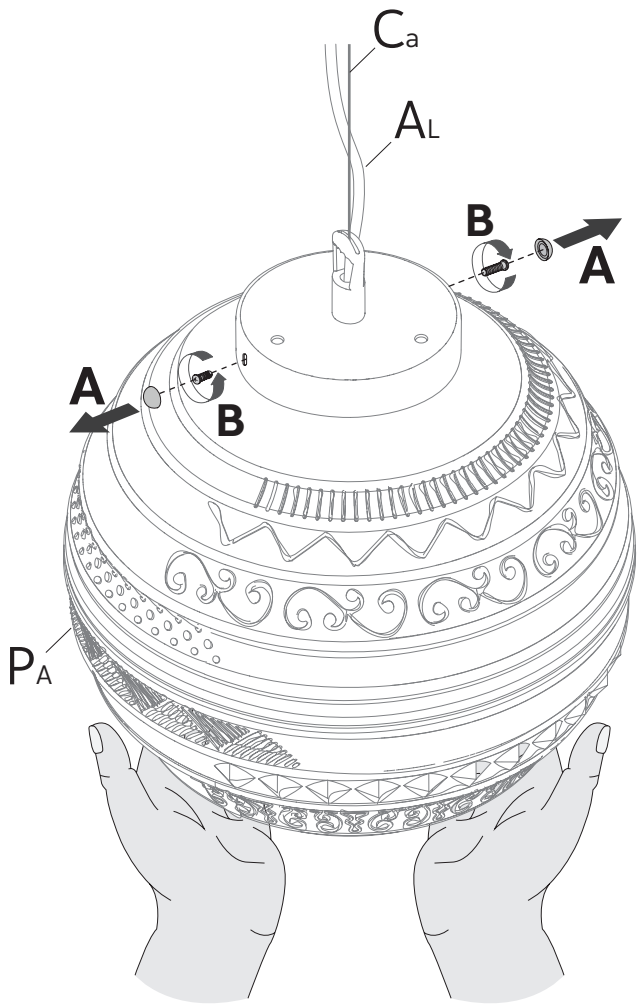
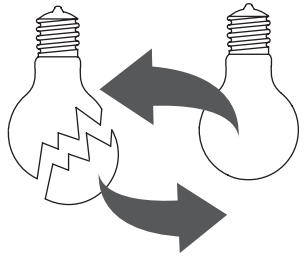


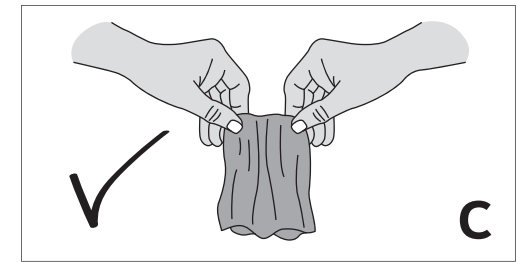
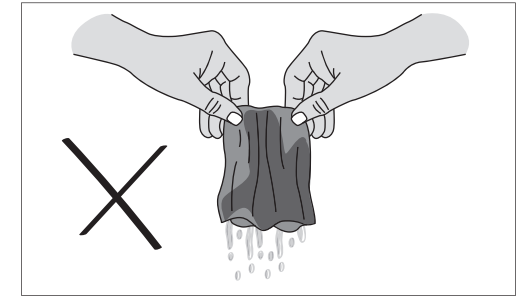
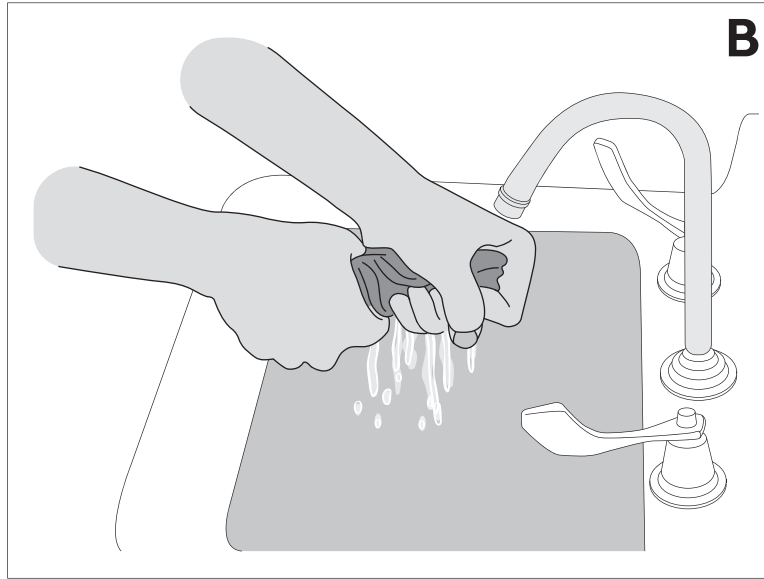
DRY LOCATION











chemical agents

chemical agents

alcohol

