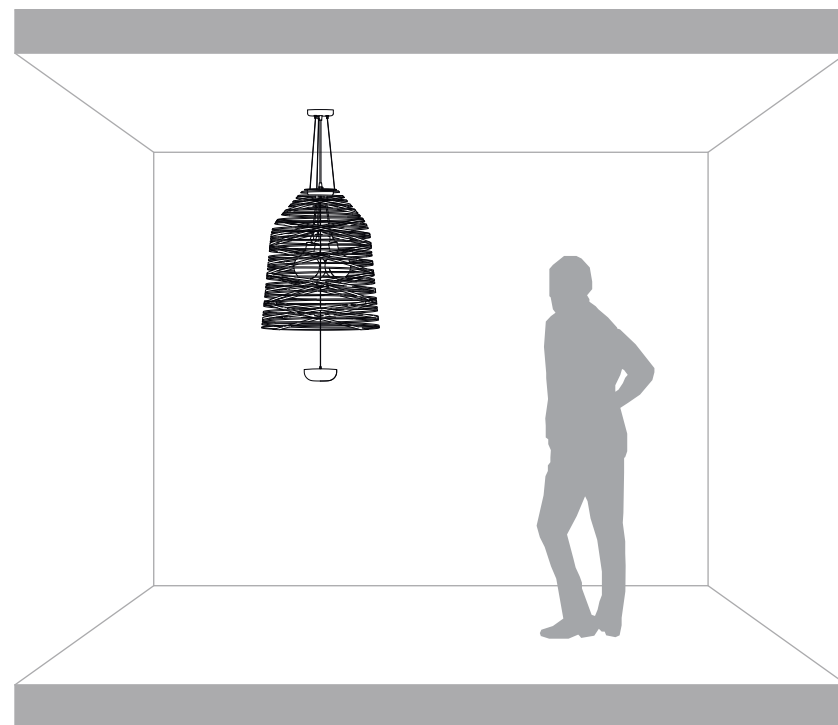


# BLACKOUT



SE101 2B INT  
SE101 2T INT  
+AC101 1B INT

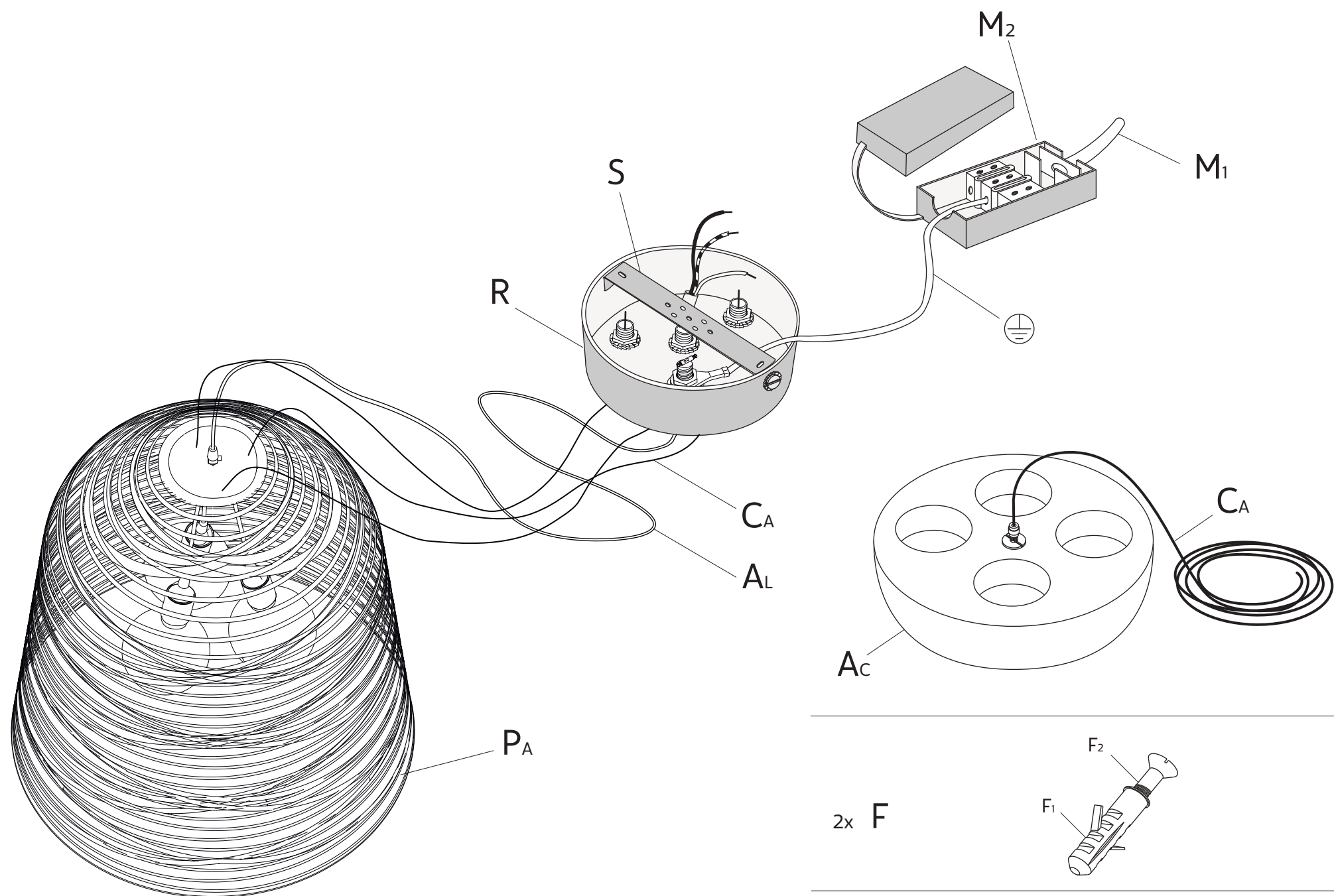
220-240 V.  
max 3x52W E27

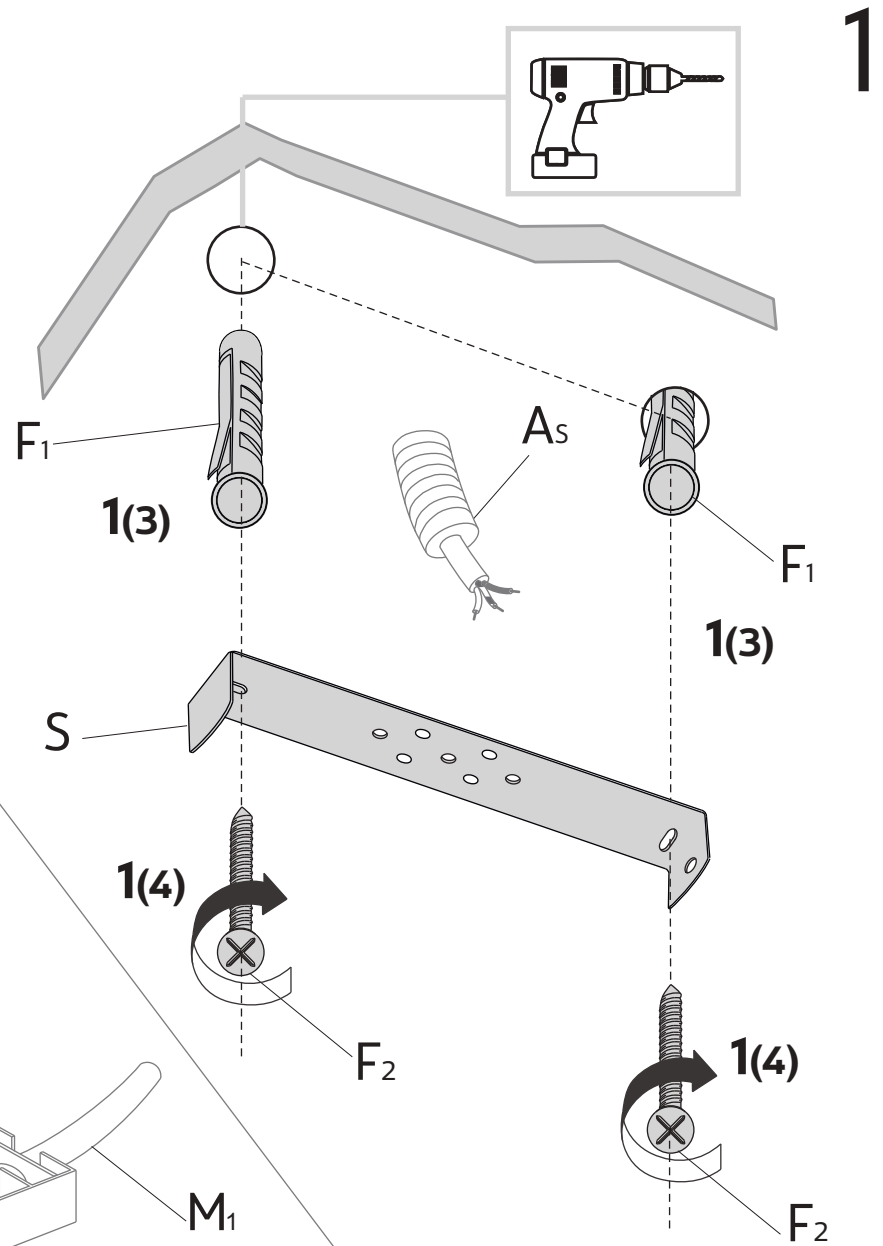
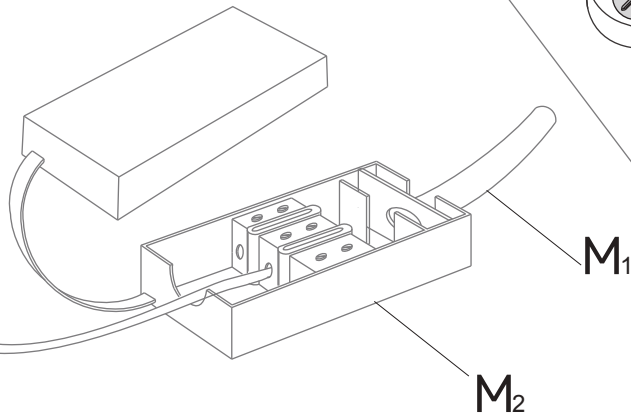
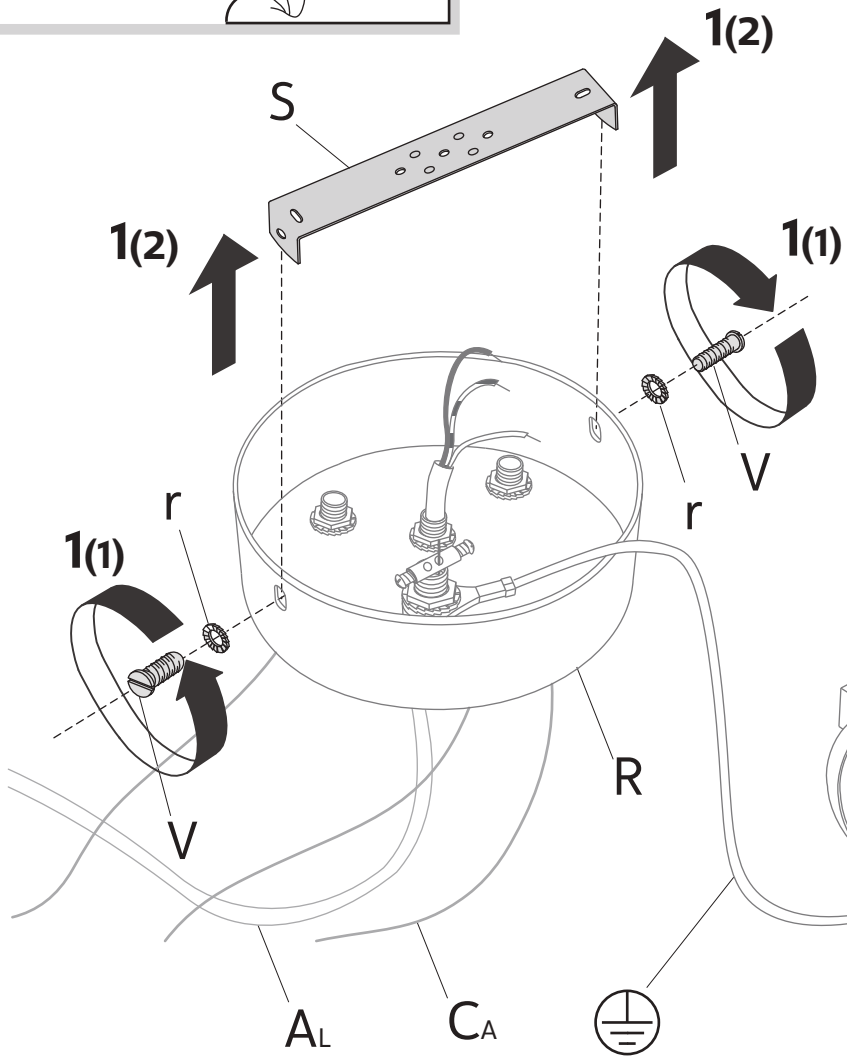
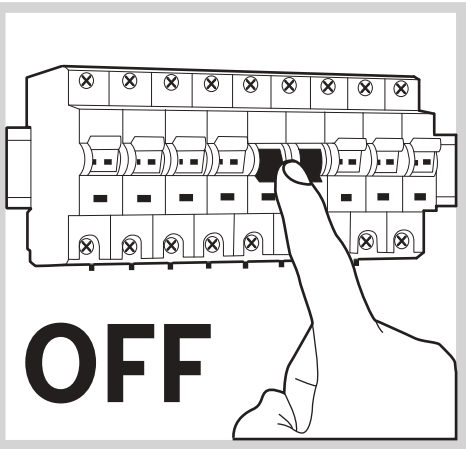


Karman srl

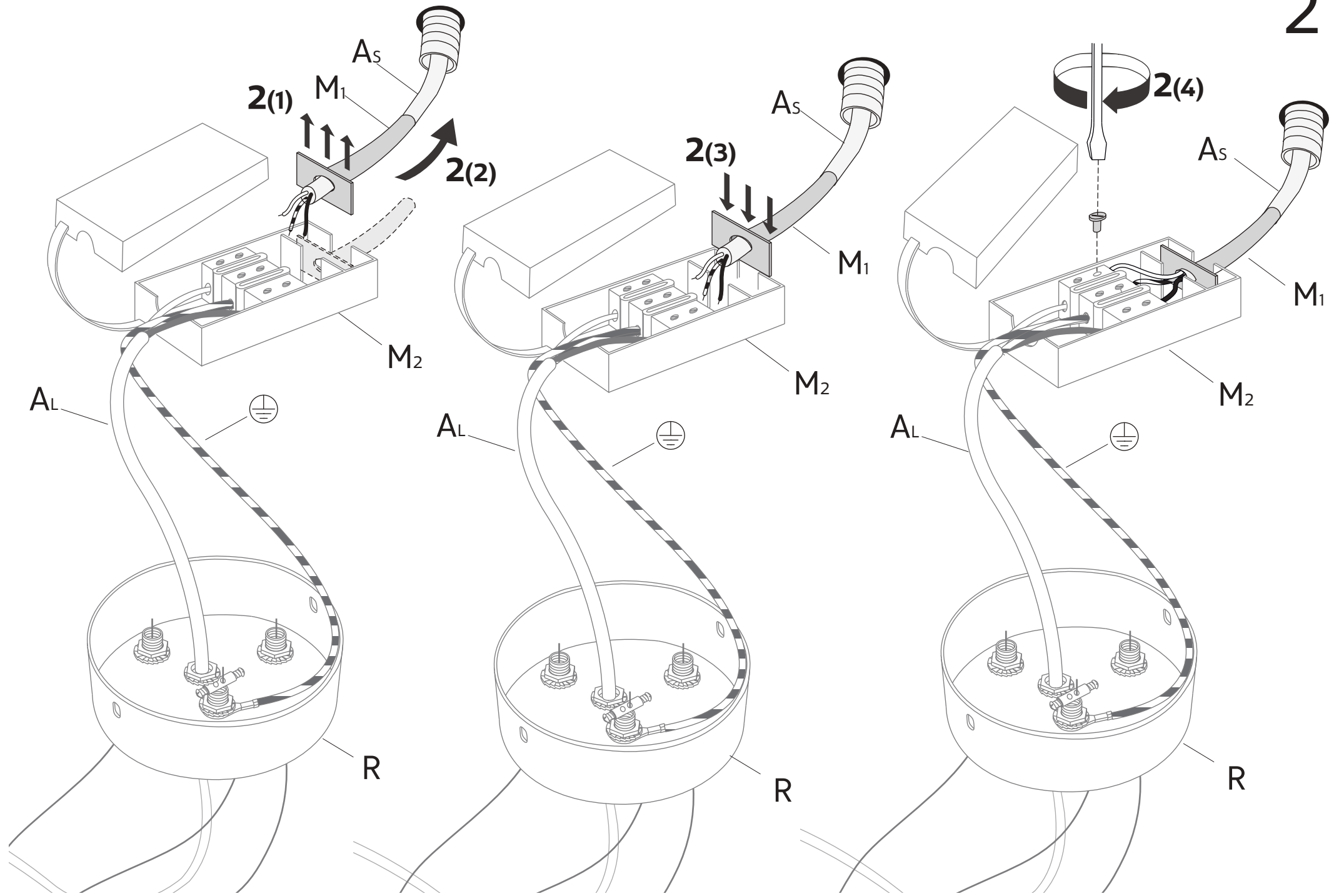
Via A. Grandi, San Martino del piano, 61034 Fossombrone (PU), Italy - p.iva 02175640412 tel +39 0721 71 5042 r.a fax +39 0721 716640 - [www.karmanitalia.it](http://www.karmanitalia.it)

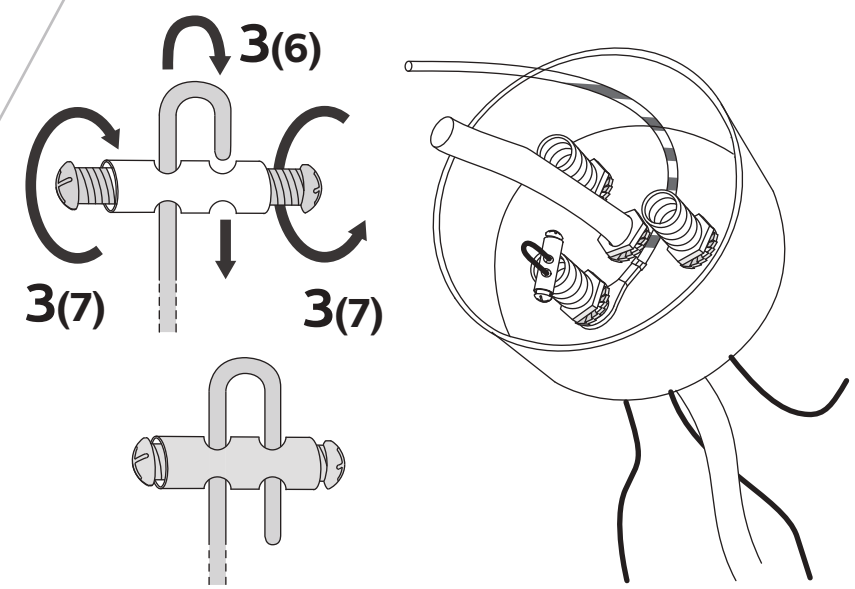
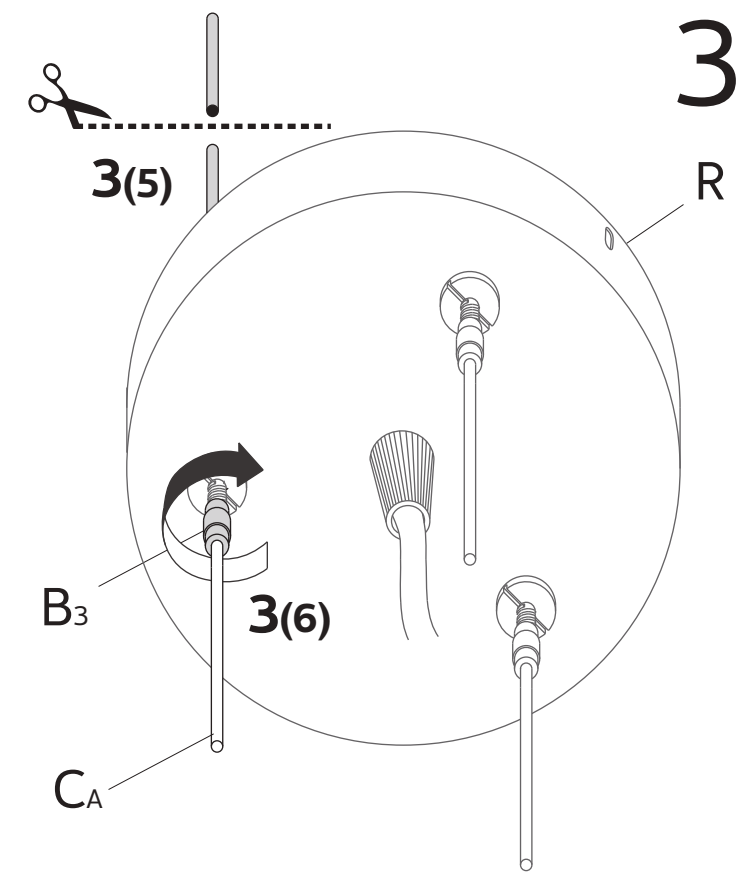
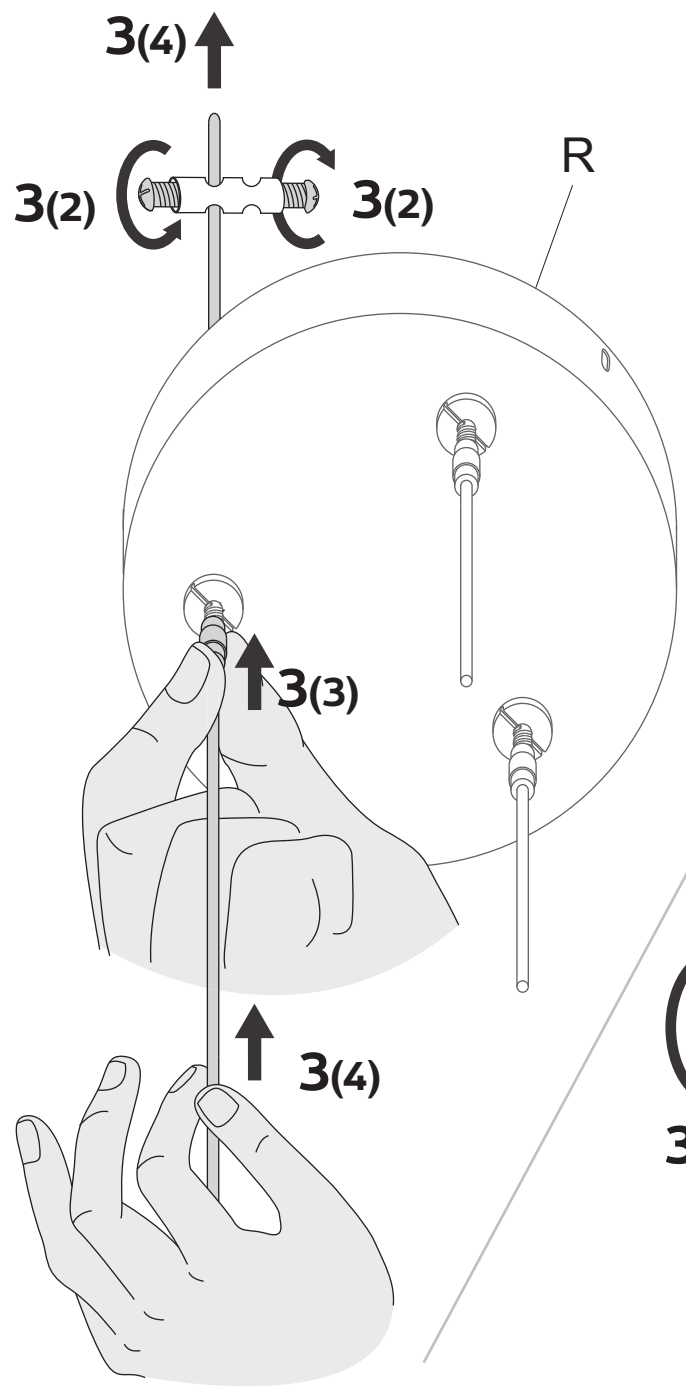
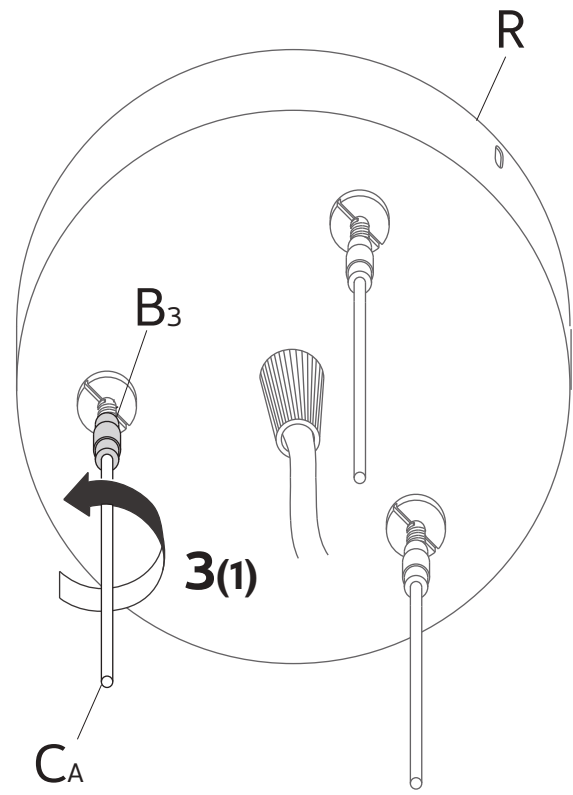
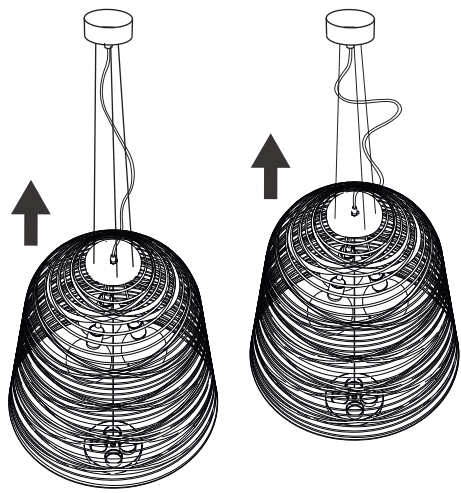


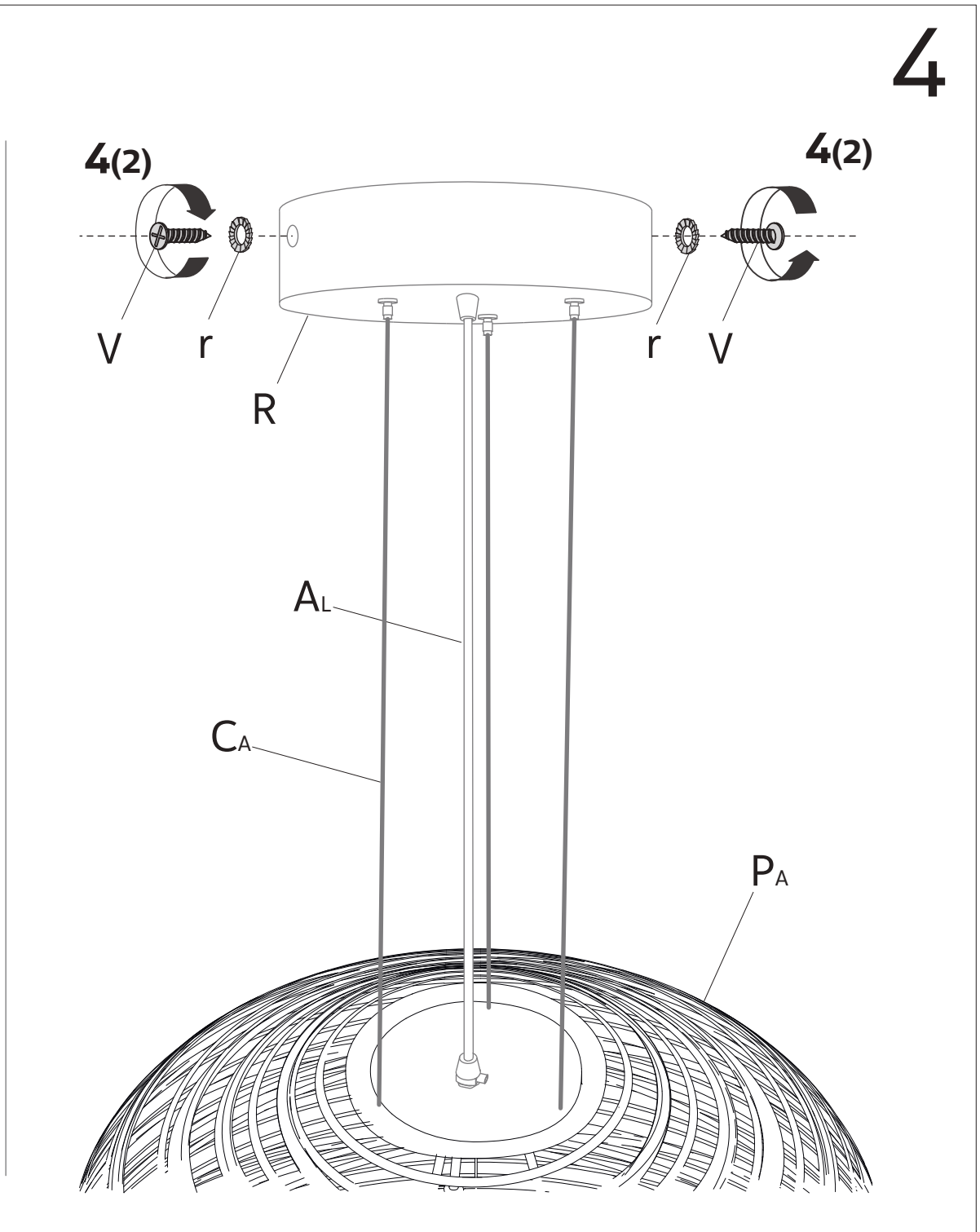
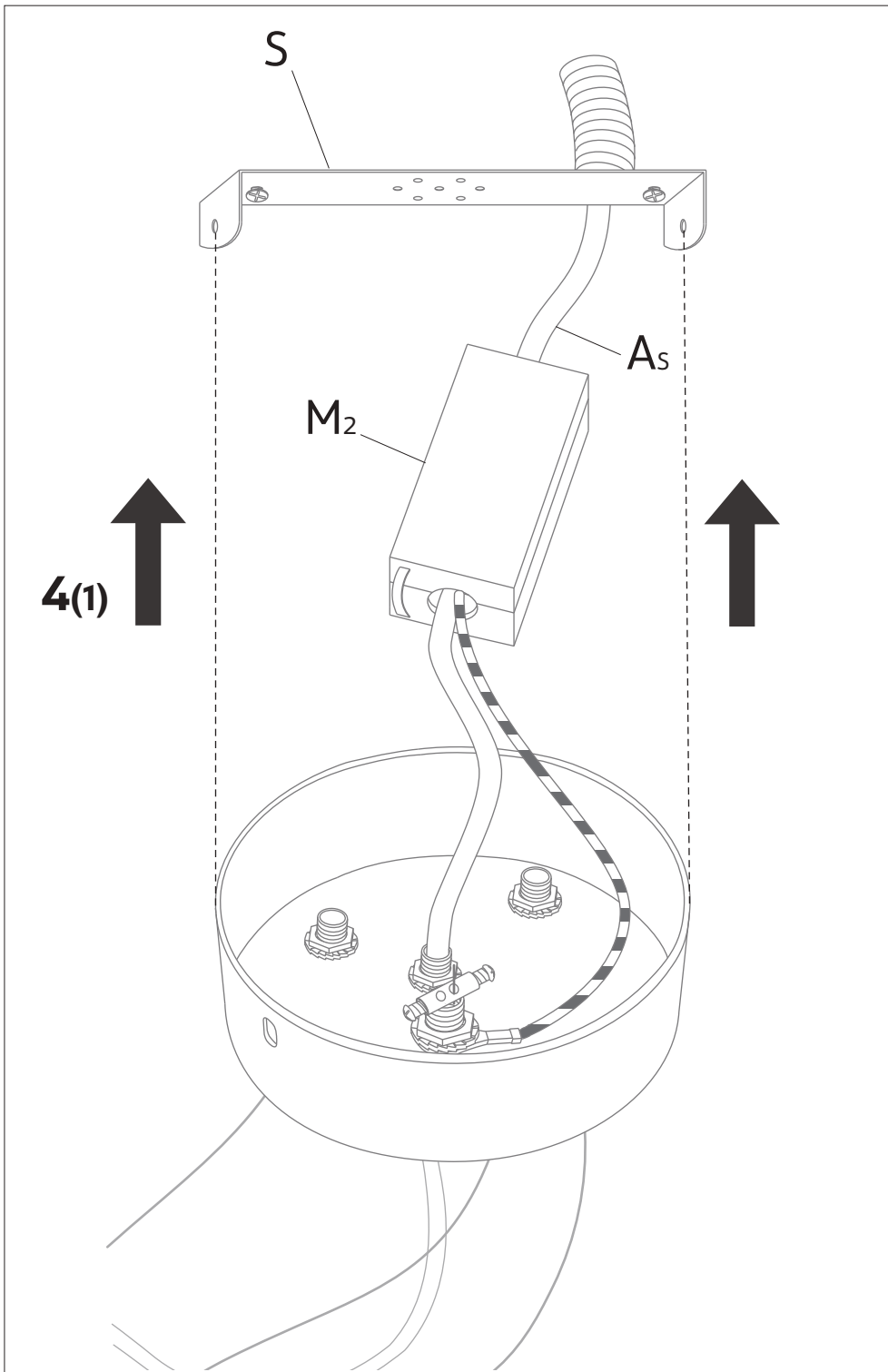


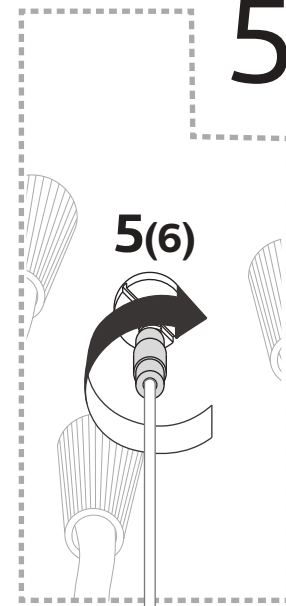
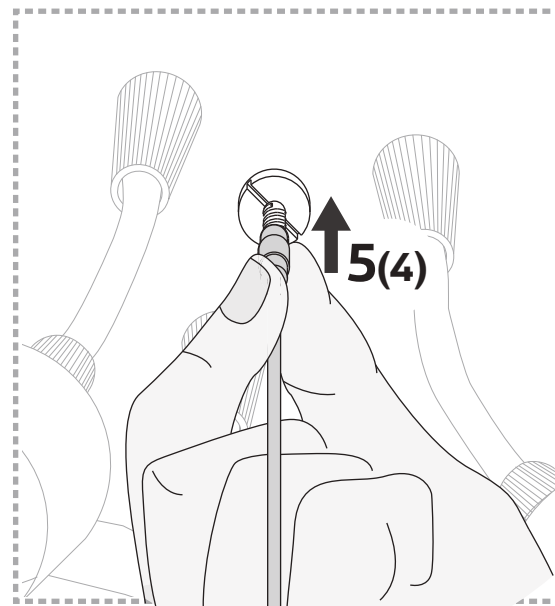
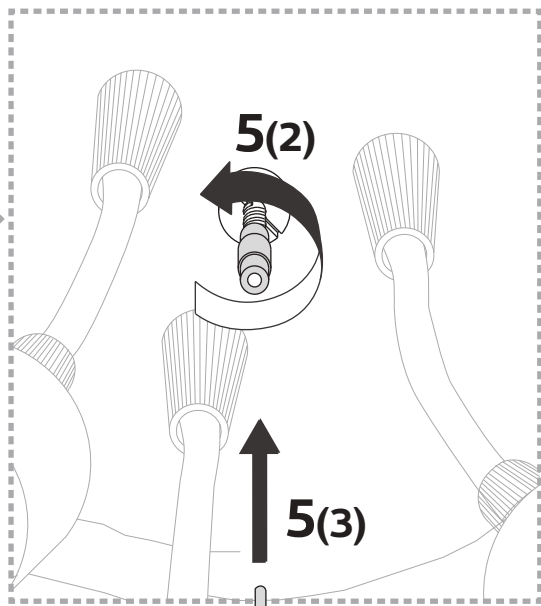
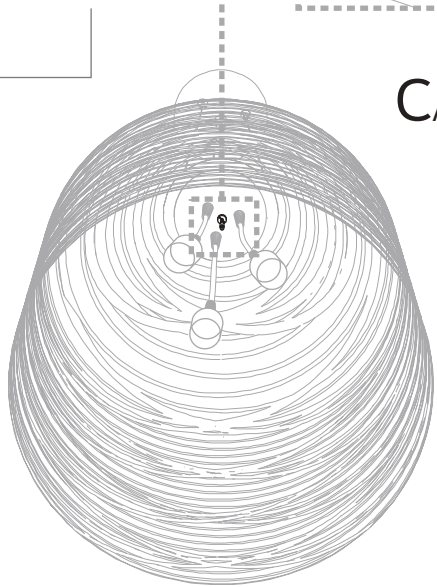
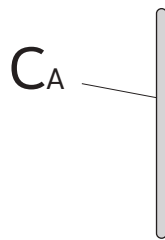
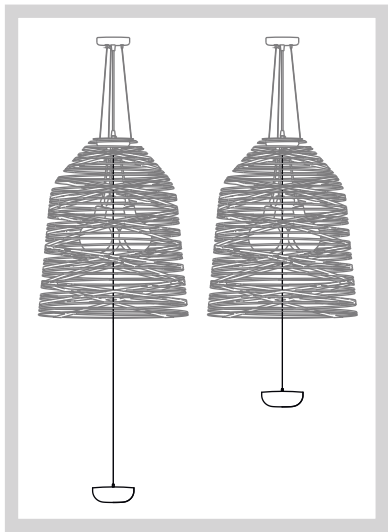


**1**

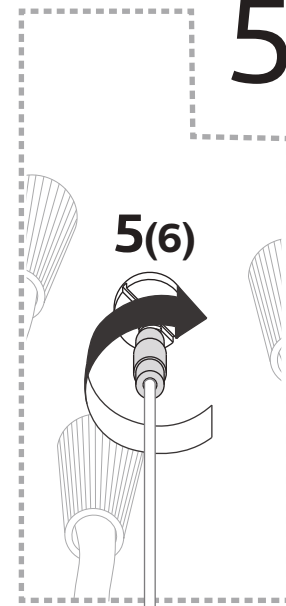
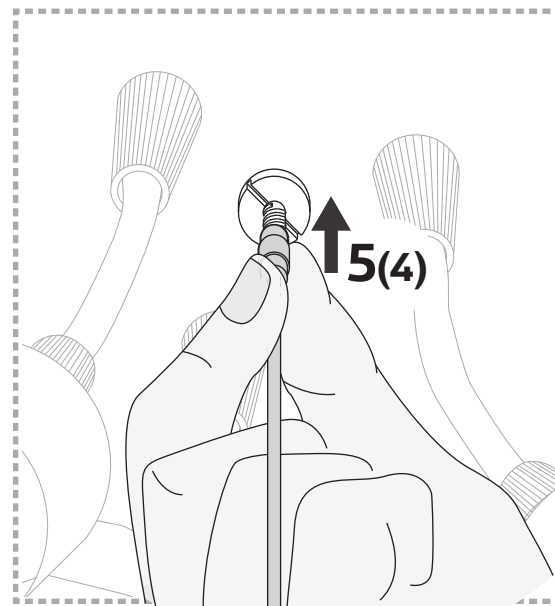
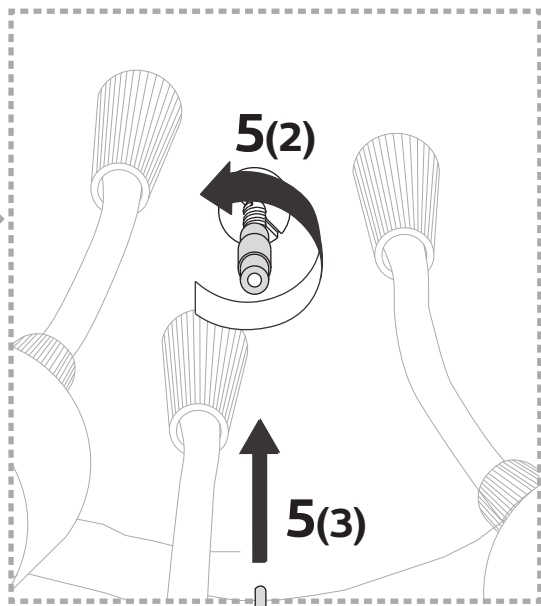
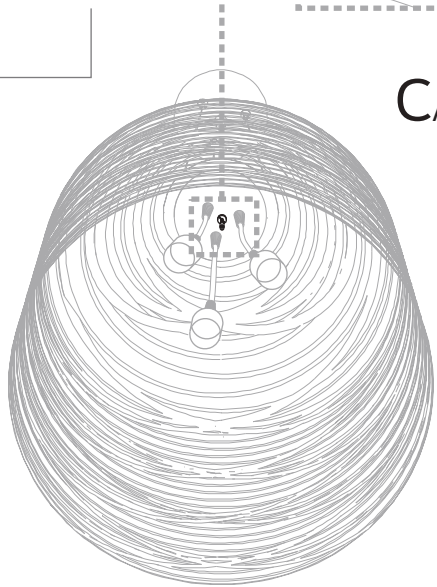
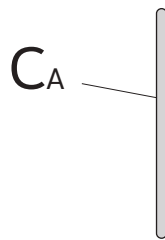
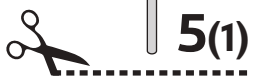








5



5



