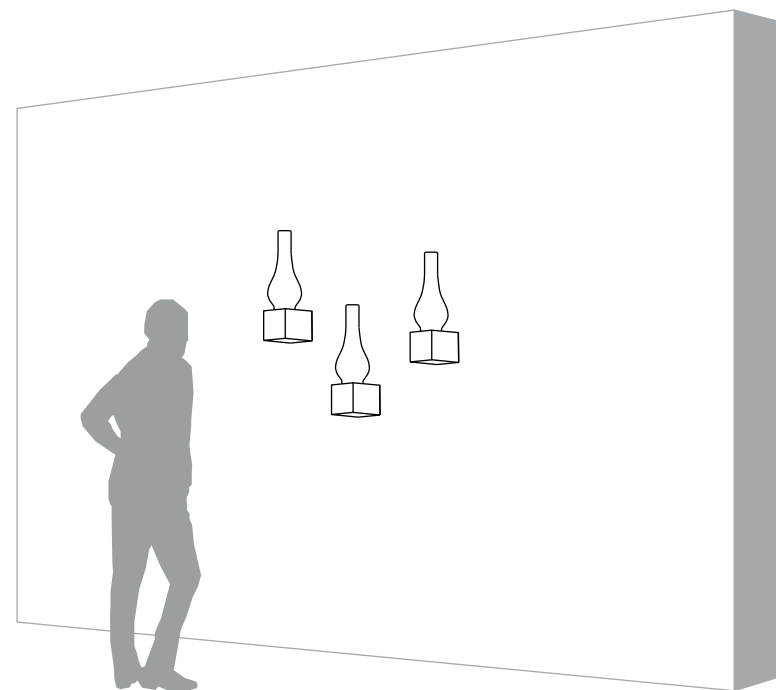


# AMARCORD

AP121 1B V11   AP121 BF V11   AP121 BS V11  
AP121 1G V11   AP121 GT V11   AP121 GS V11



**110 V.**  
**max 1x18W LED - E26**



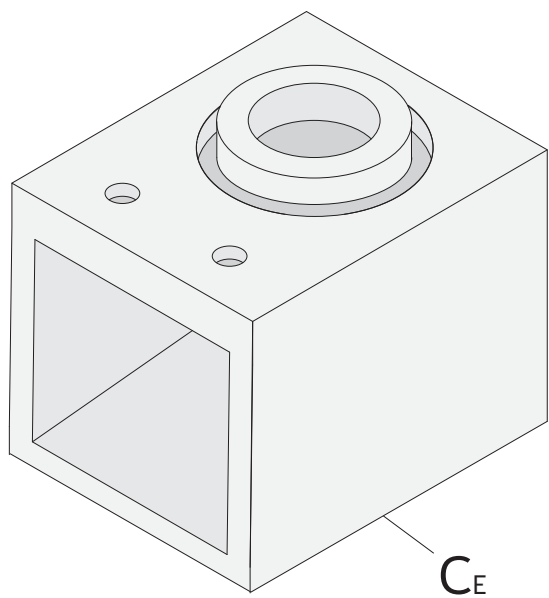
**DRY LOCATION**

Karman srl

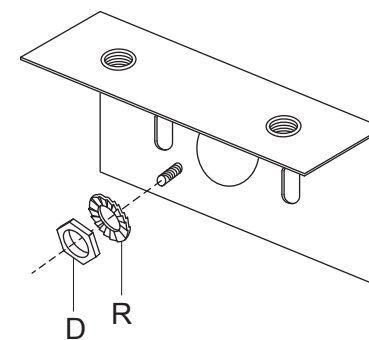
Via A. Grandi, San Martino del piano, 61034 Fossombrone (PU), Italy - p.iva 02175640412 tel +39 0721 71 5042 r.a fax +39 0721 716640 - [www.karmanitalia.it](http://www.karmanitalia.it)



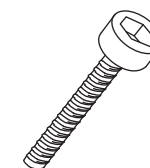
# C - 01

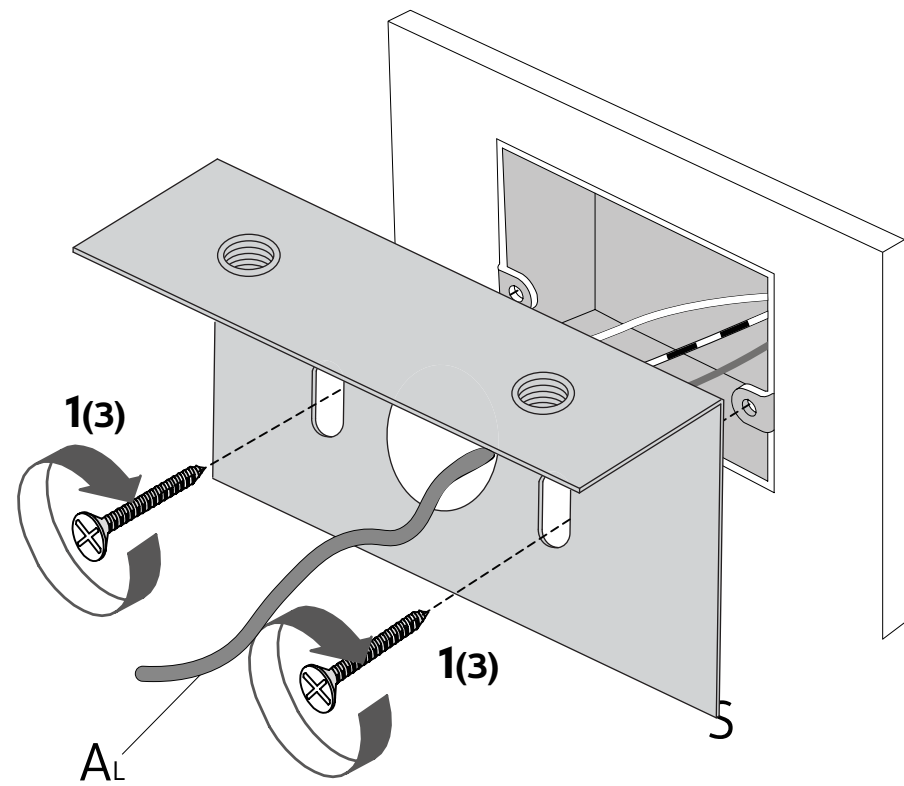
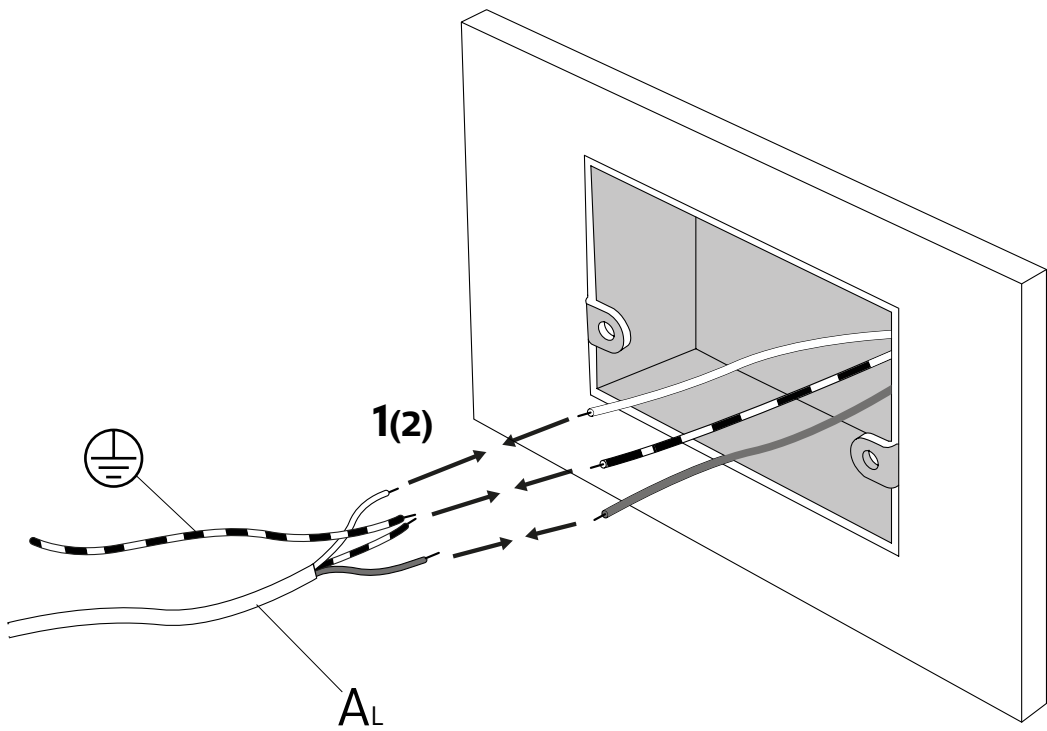
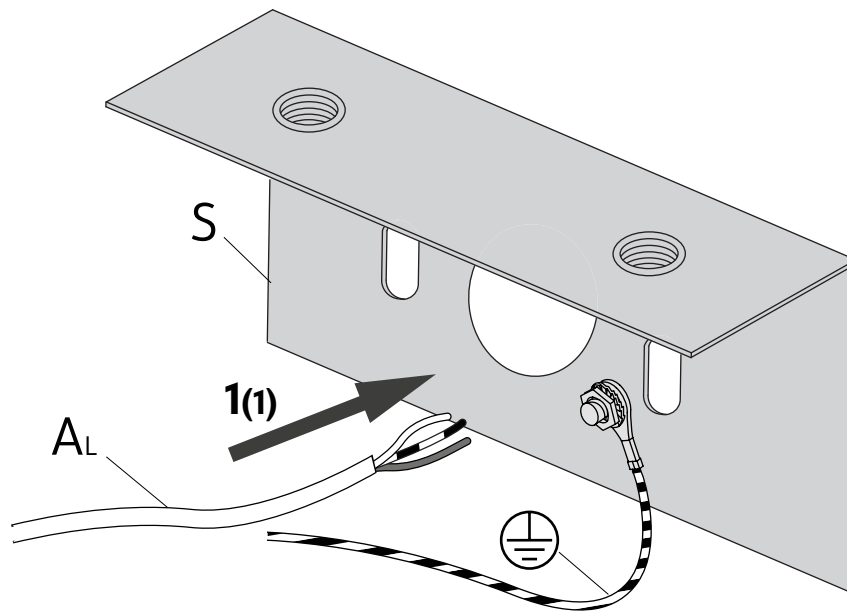
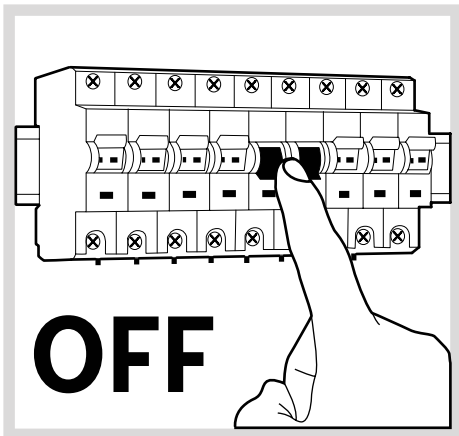


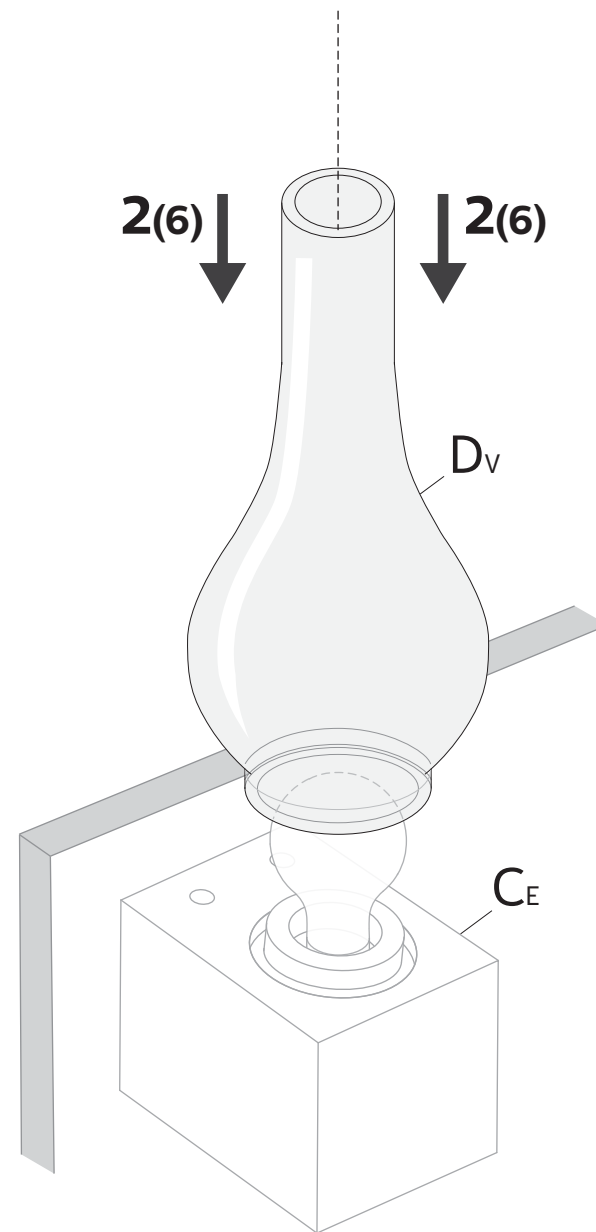
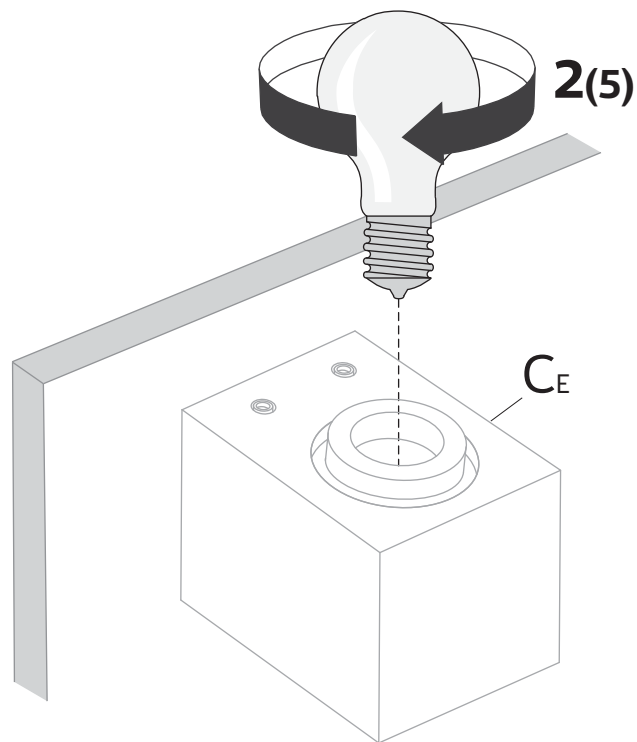
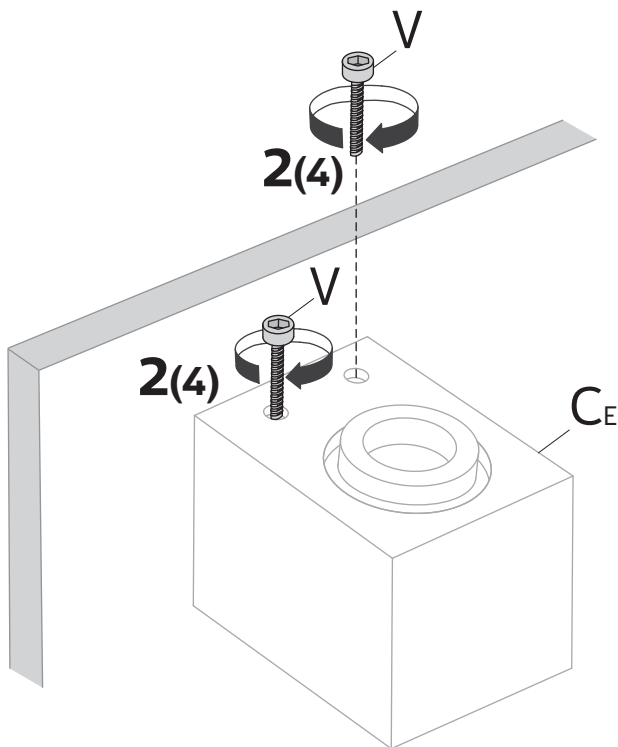
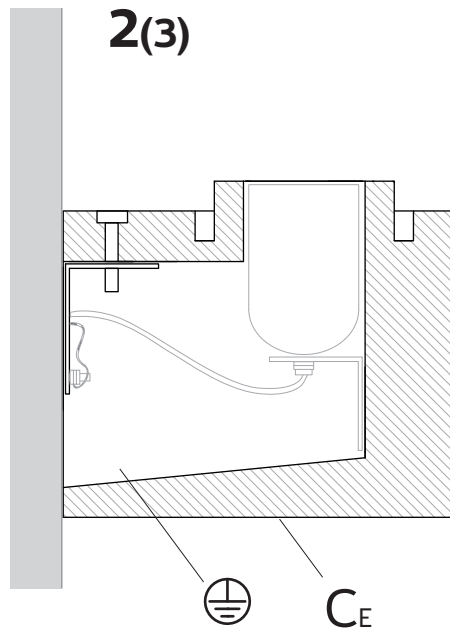
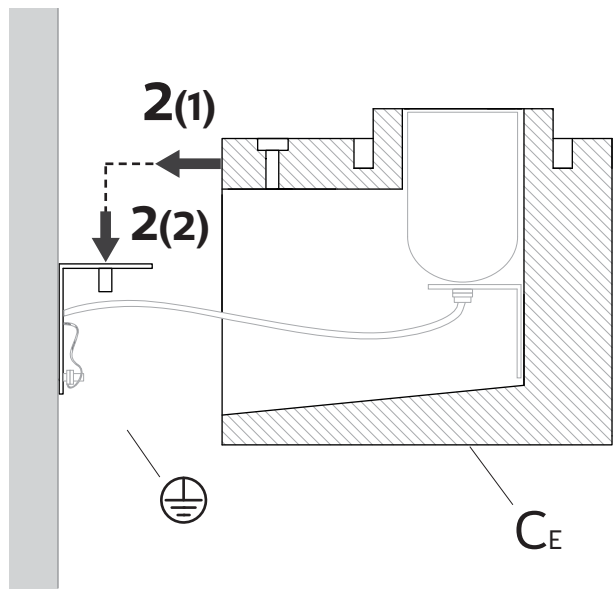
1x **B**



2x **V**







2

