

ALÌ E BABÀ

SE616BC
SE617BC

SE624BC
SE625BC

110 V.
max 1x18W LED E26 (a)
max 1x18W LED E26 (b)



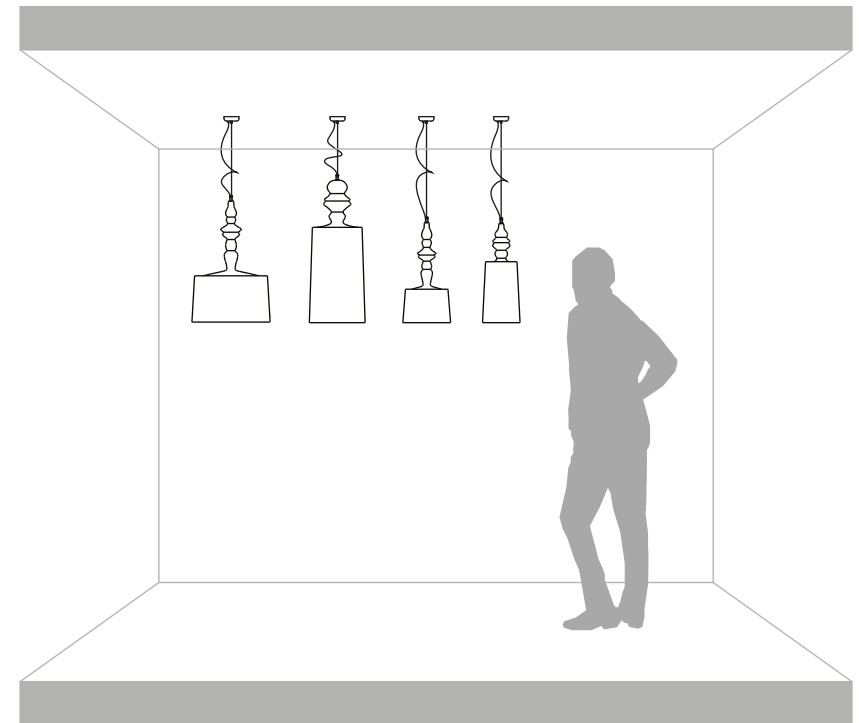
a. SE616BC

a. SE617BC



b. SE624BC

b. SE625BC

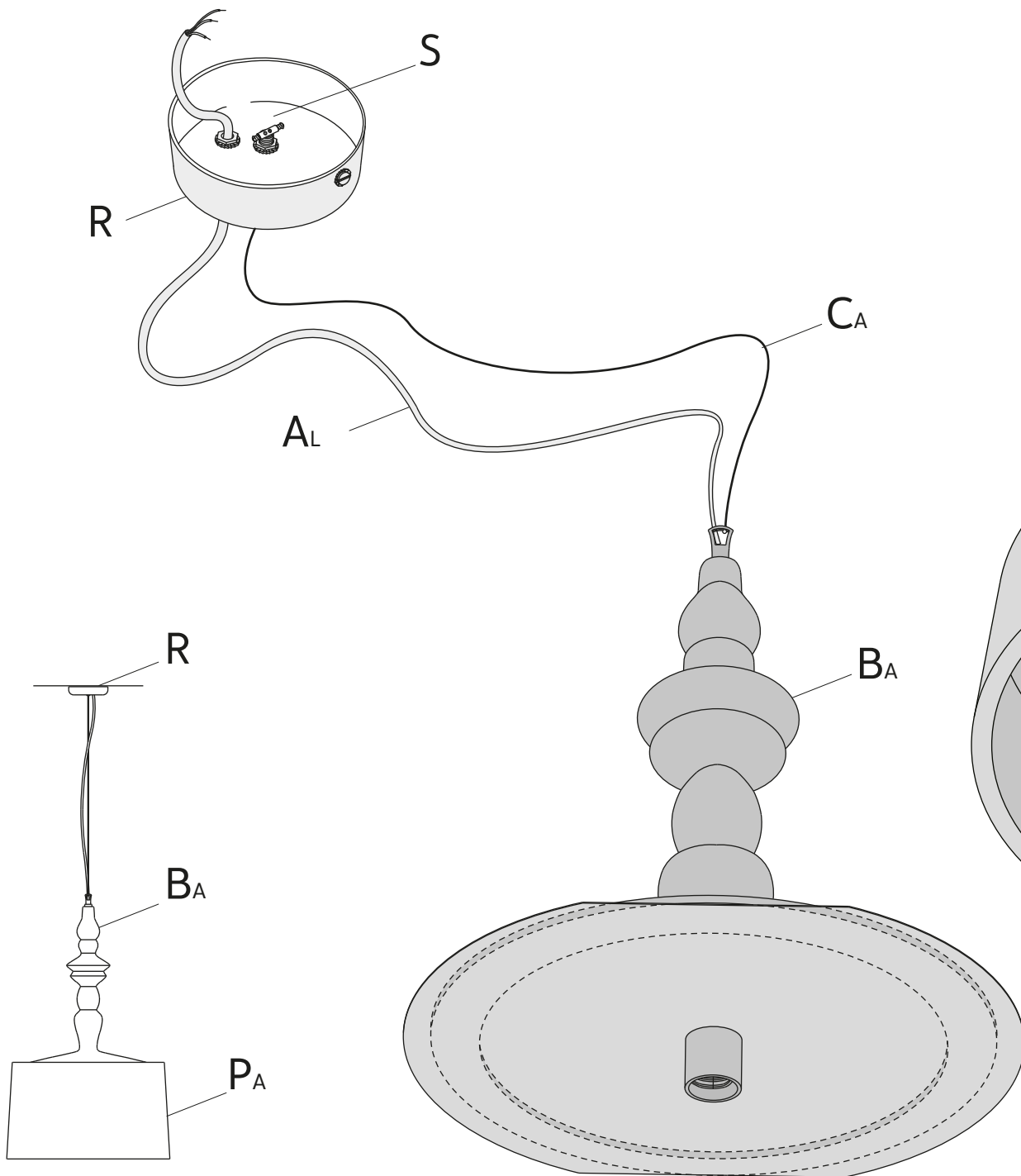


DRY LOCATION

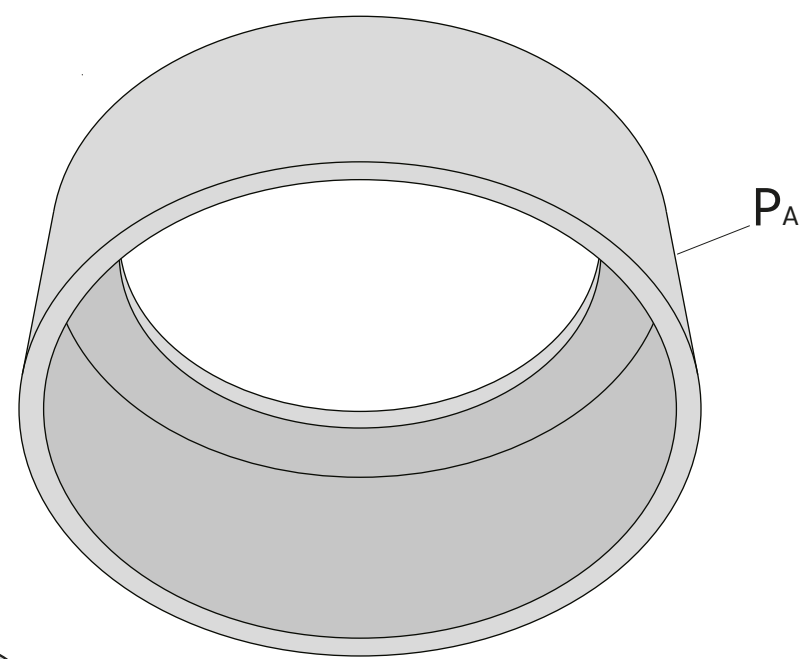
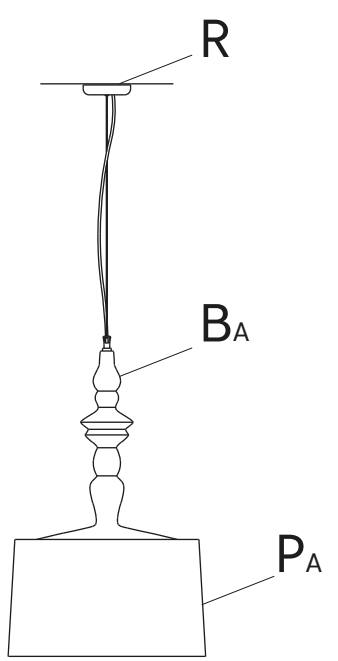
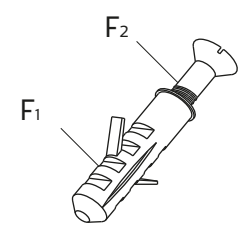
Karman srl

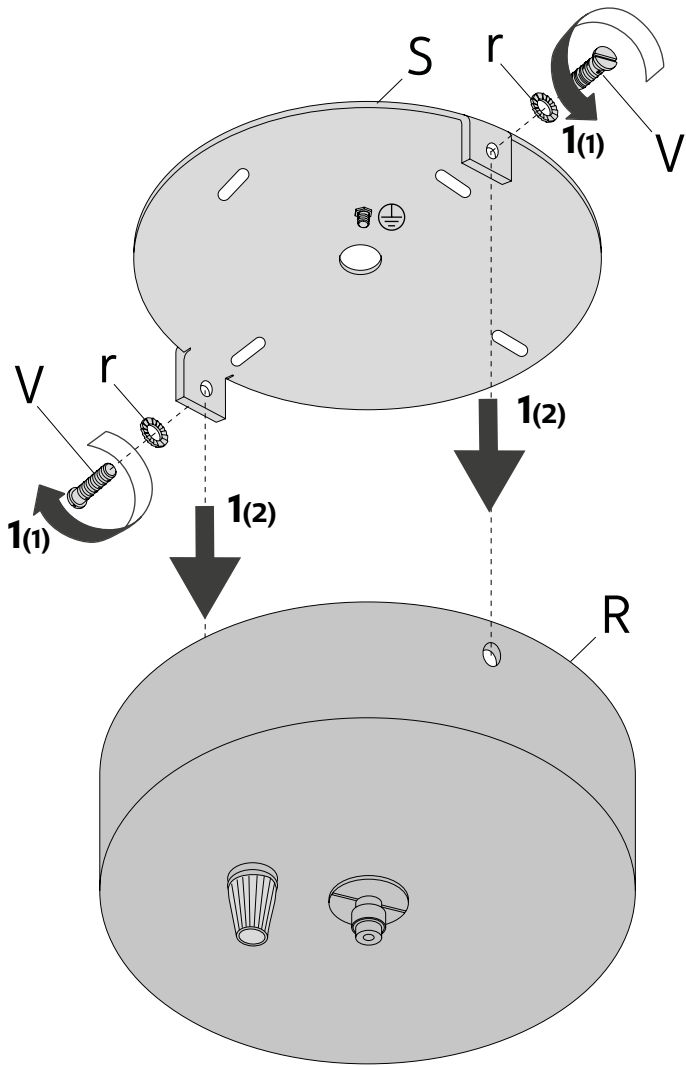
Via A. Grandi, San Martino del piano, 61034 Fossombrone (PU), Italy - p.iva 02175640412 tel +39 0721 71 5042 r.a fax +39 0721 716640 - www.karmanitalia.it

C - 01

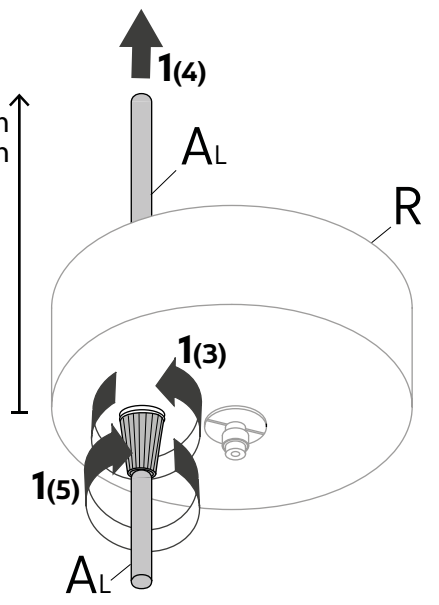


2x F

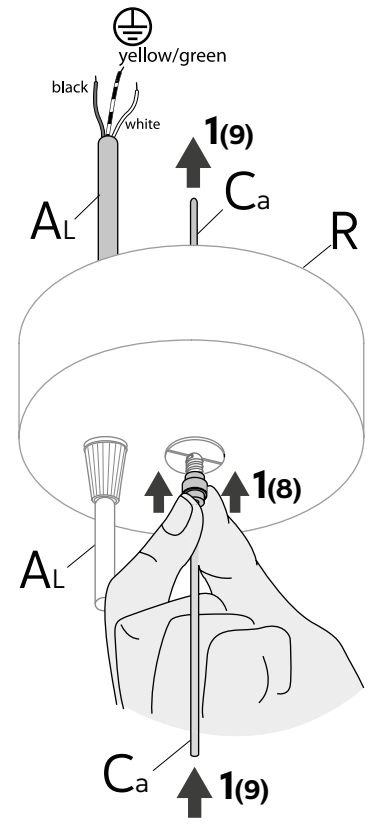
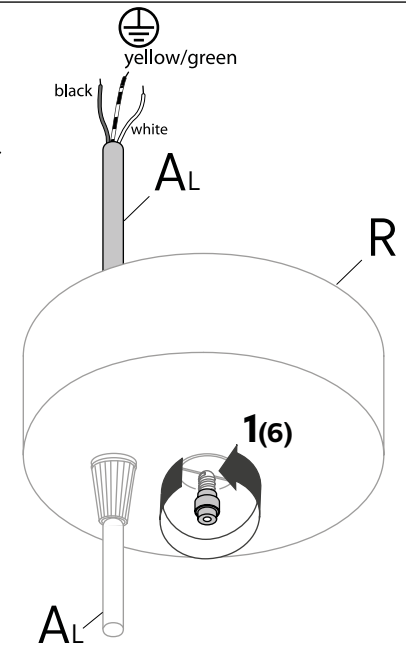




L 20 cm
L 7.87402 Inch



L 20 cm
L 7.87402 Inch



L 20 cm
L 7.87402 Inch

