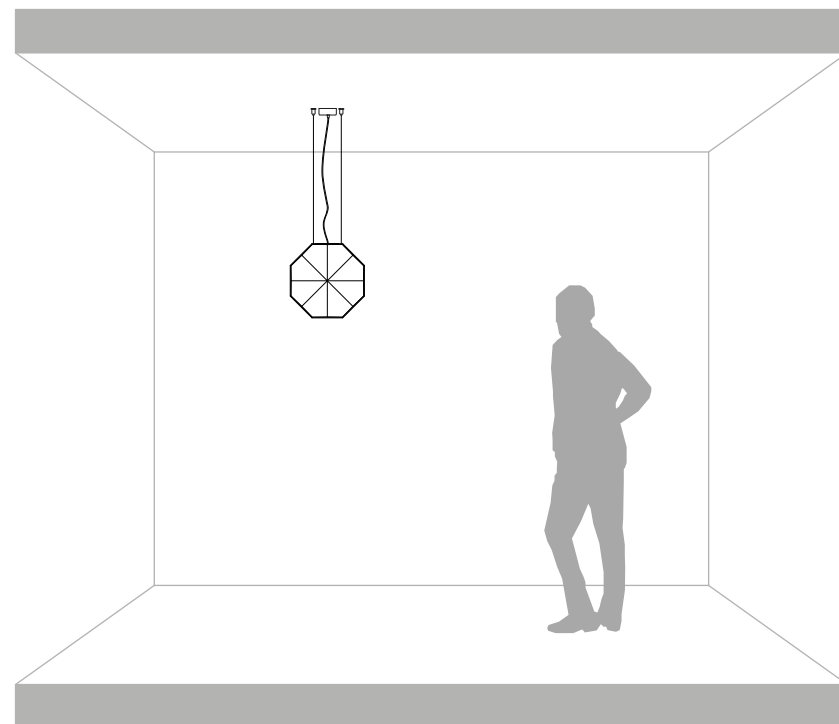


24KARATI



SE113 1G V11
SE113 1F V11
SE113 1B V11

110 V.
max 1 x max 18W - E26

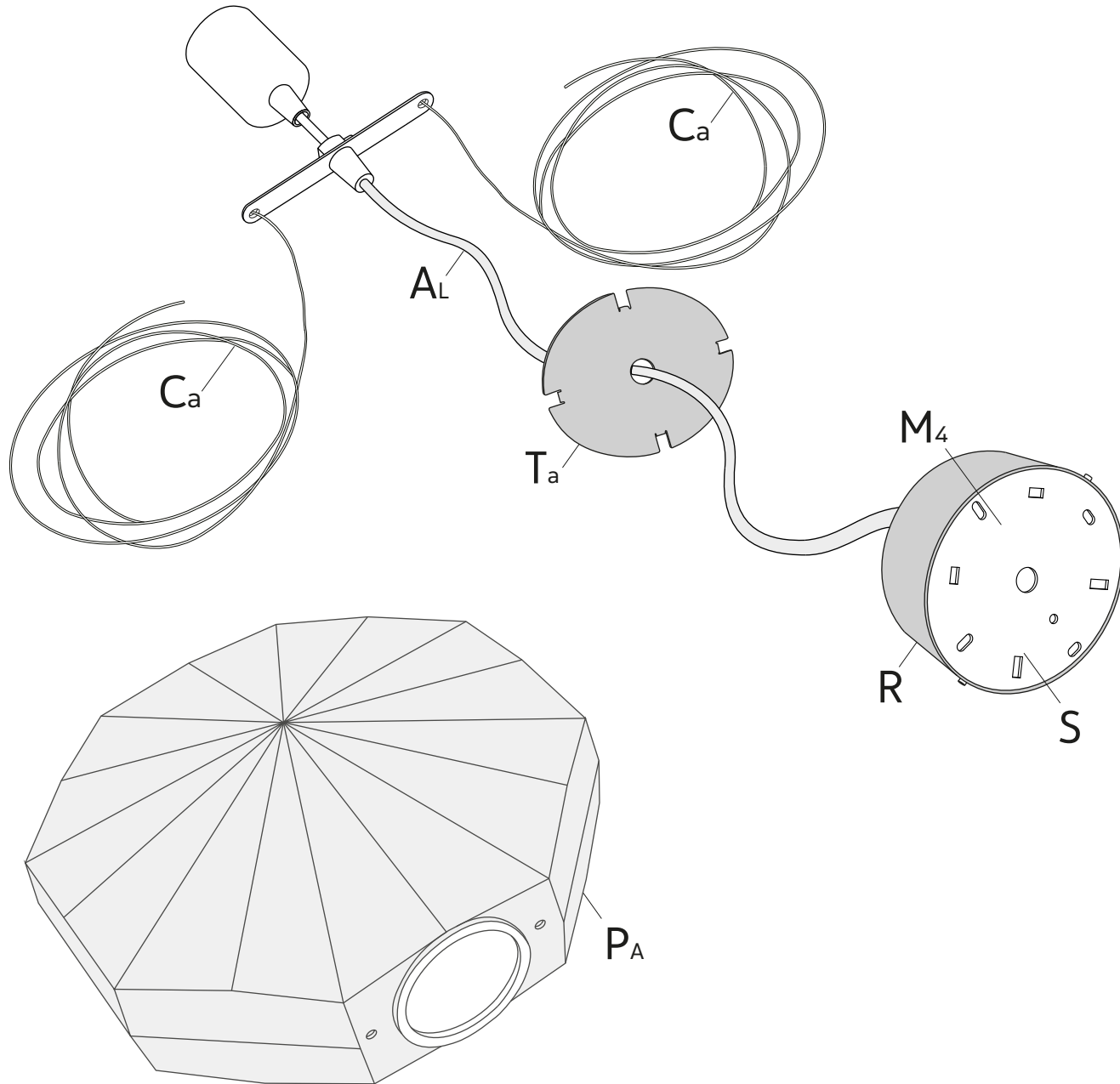


DRY LOCATION

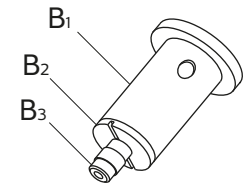
Karman srl

Via A. Grandi, San Martino del piano, 61034 Fossombrone (PU), Italy - p.iva 02175640412 tel +39 0721 71 5042 r.a fax +39 0721 716640 - www.karmanitalia.it

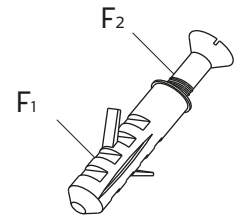
C - 01

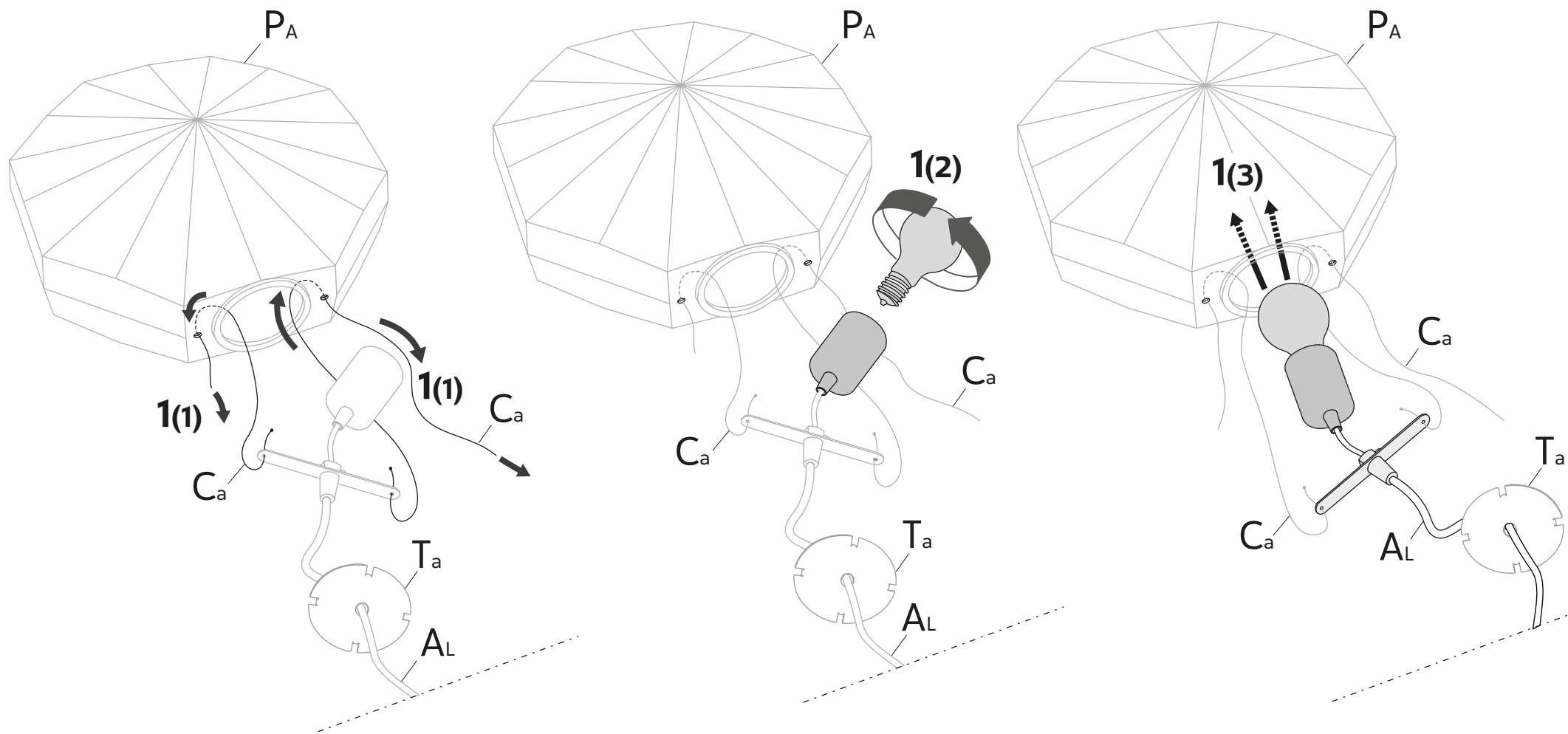


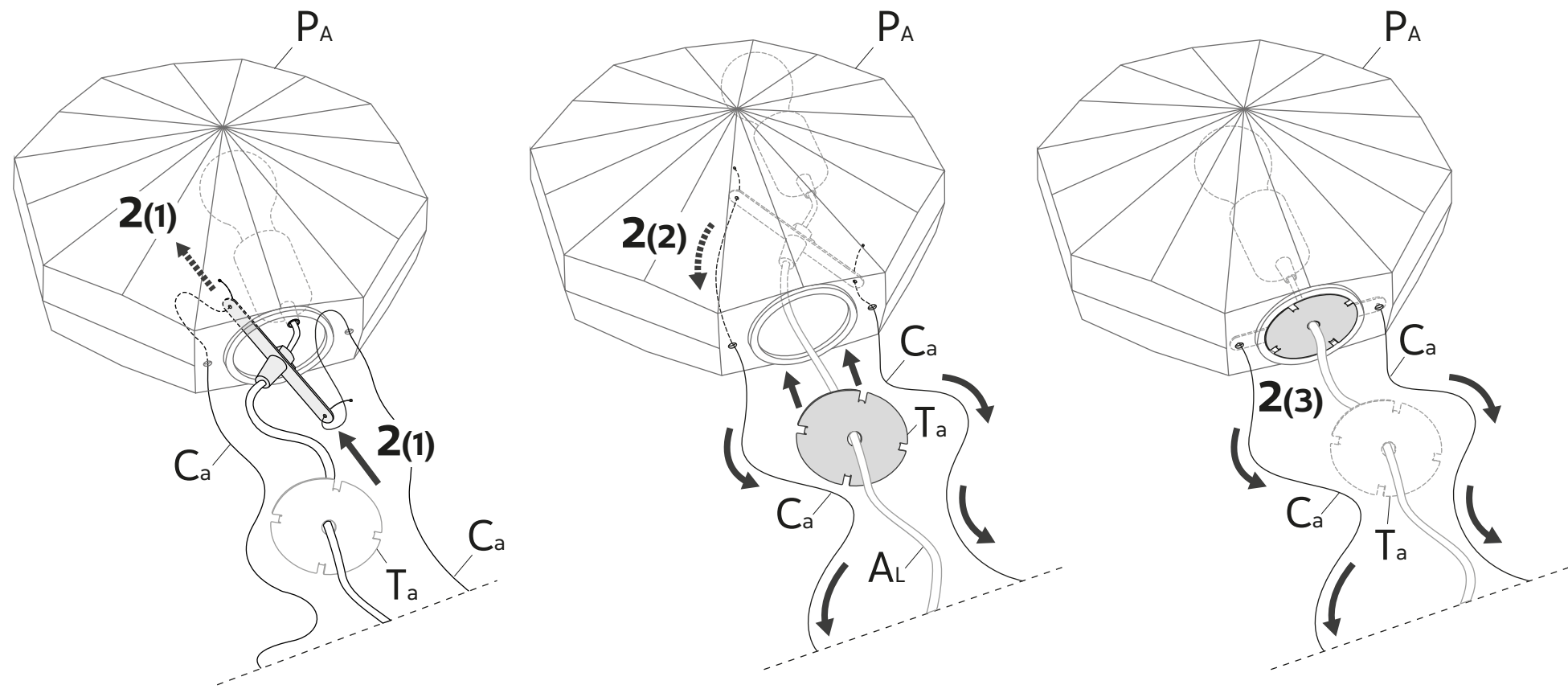
2x **B**

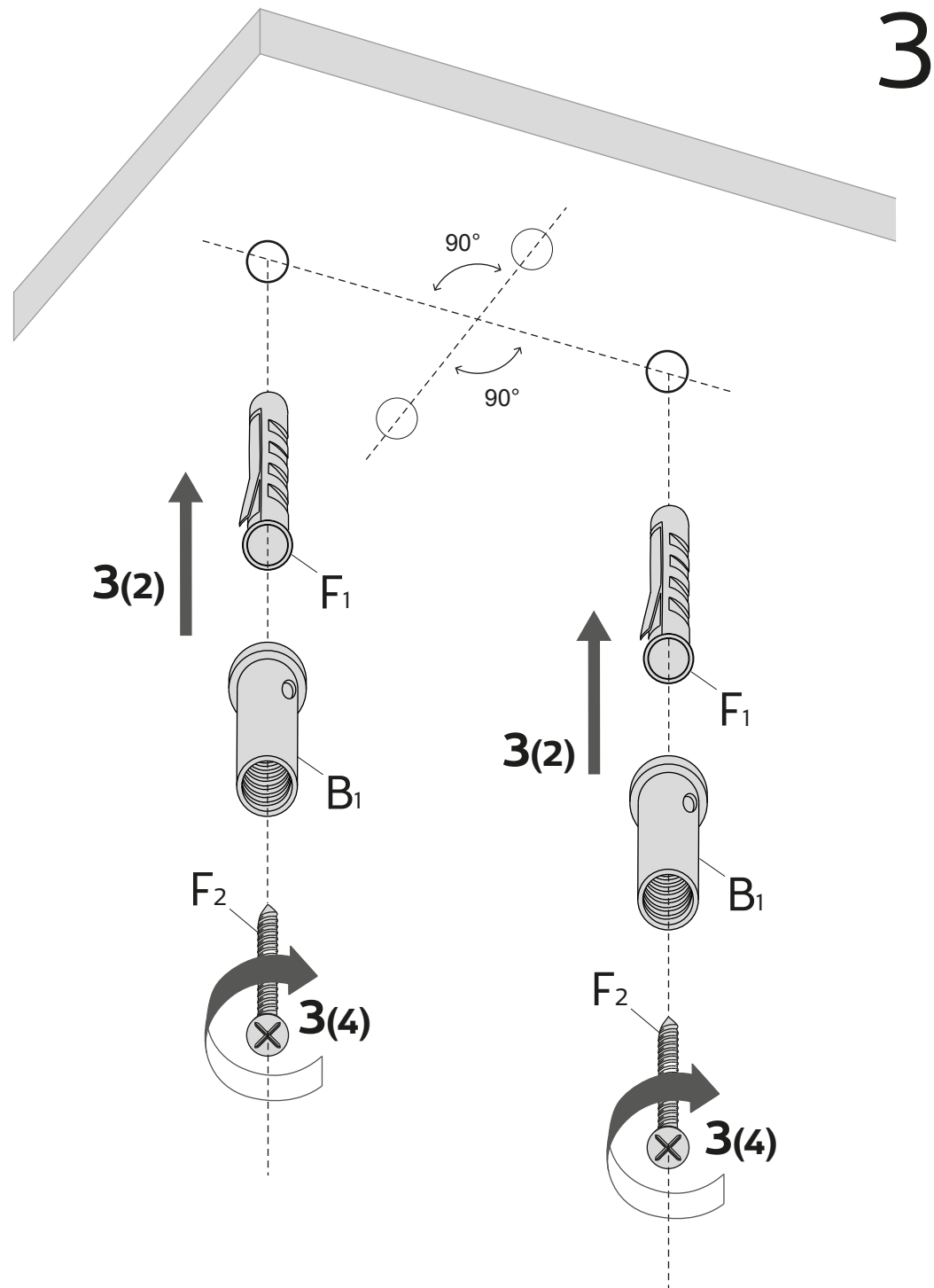
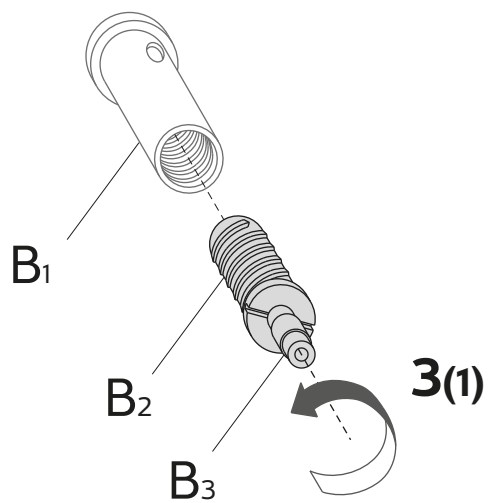
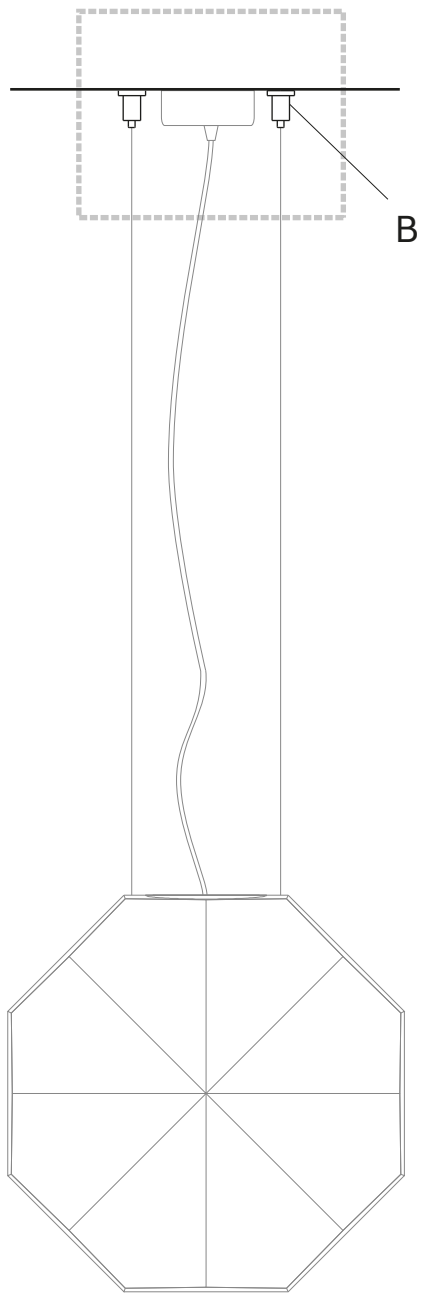


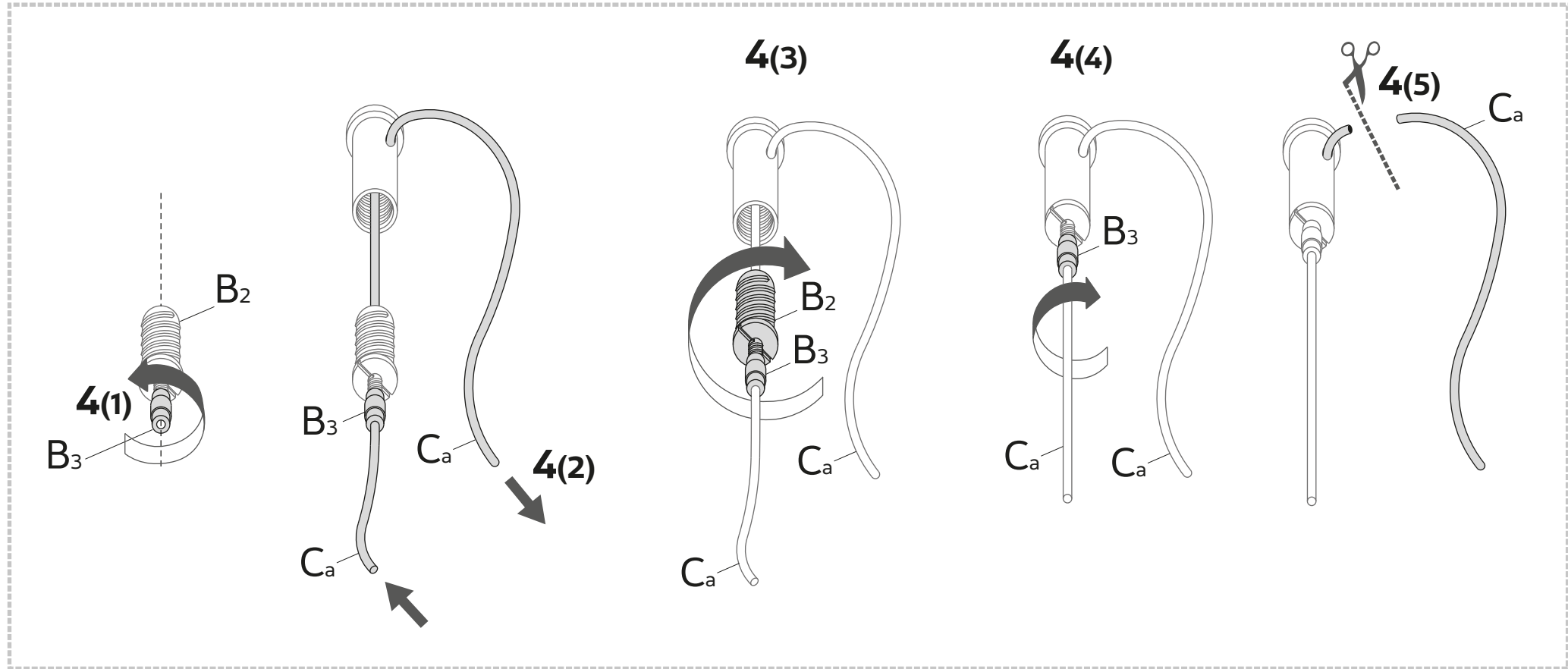
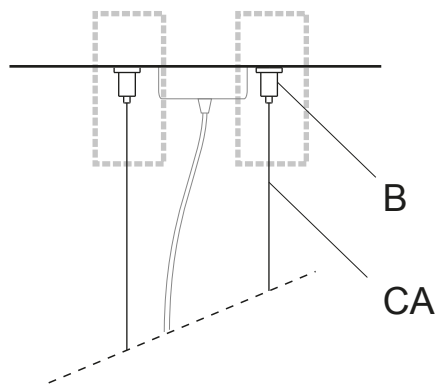
2x **F**











Junction Box

5

