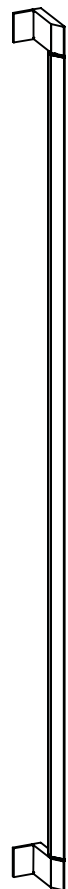
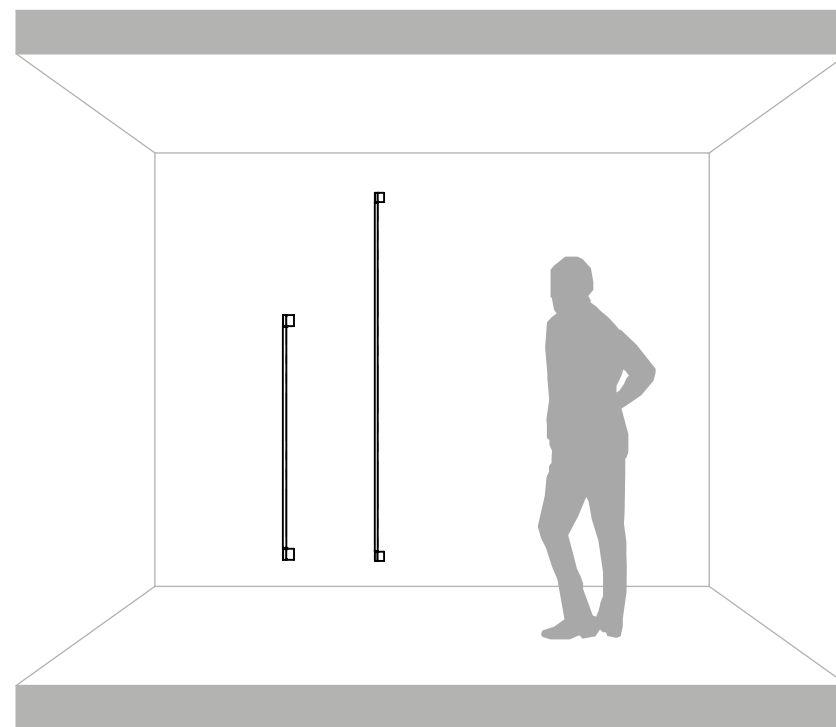


# Turn it



AP305 B1 INT  
AP305 B2 INT  
AP305 N1 INT  
AP305 N2 INT




a) LED 21W 24V  
b) LED 28W 24V



Karman srl

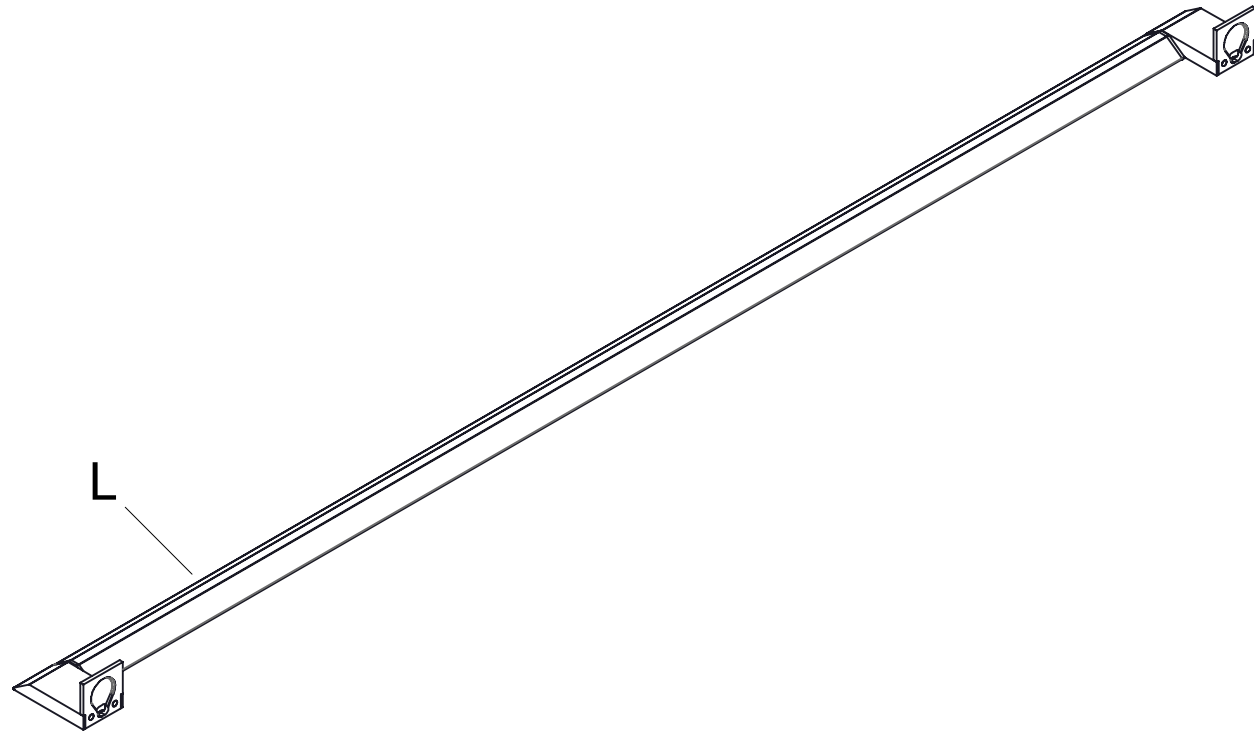
Via A. Grandi, San Martino del piano, 61034 Fossombrone (PU), Italy  
p.iva 02175640412 tel +39 0721 71 5042 r.a fax +39 0721 716640 - [www.karmanitalia.it](http://www.karmanitalia.it)

# KARMAN

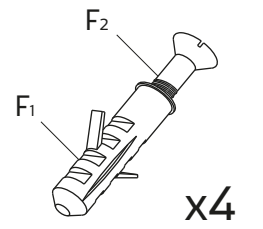
IP20   



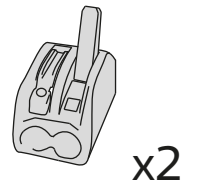
# C - 01

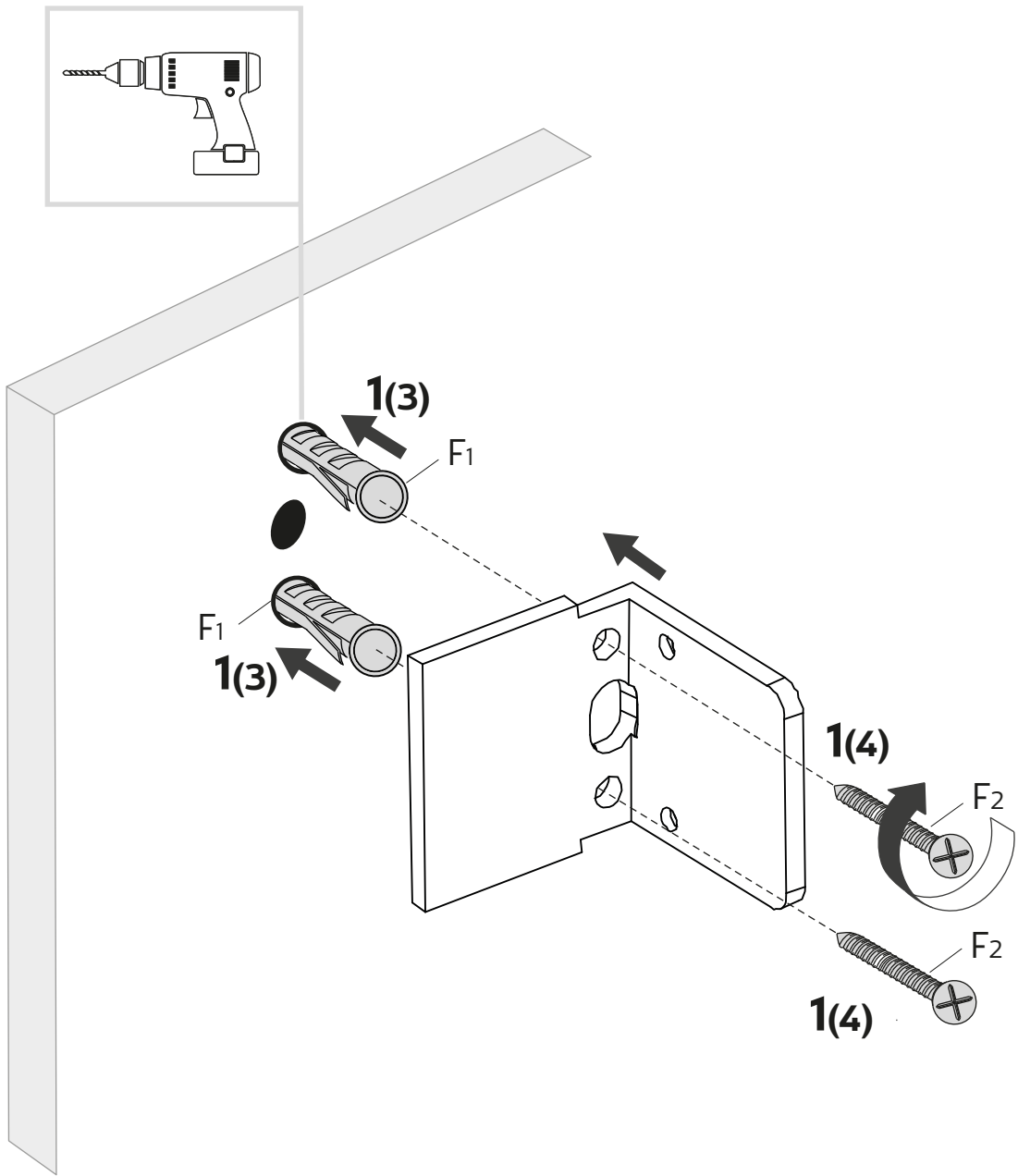
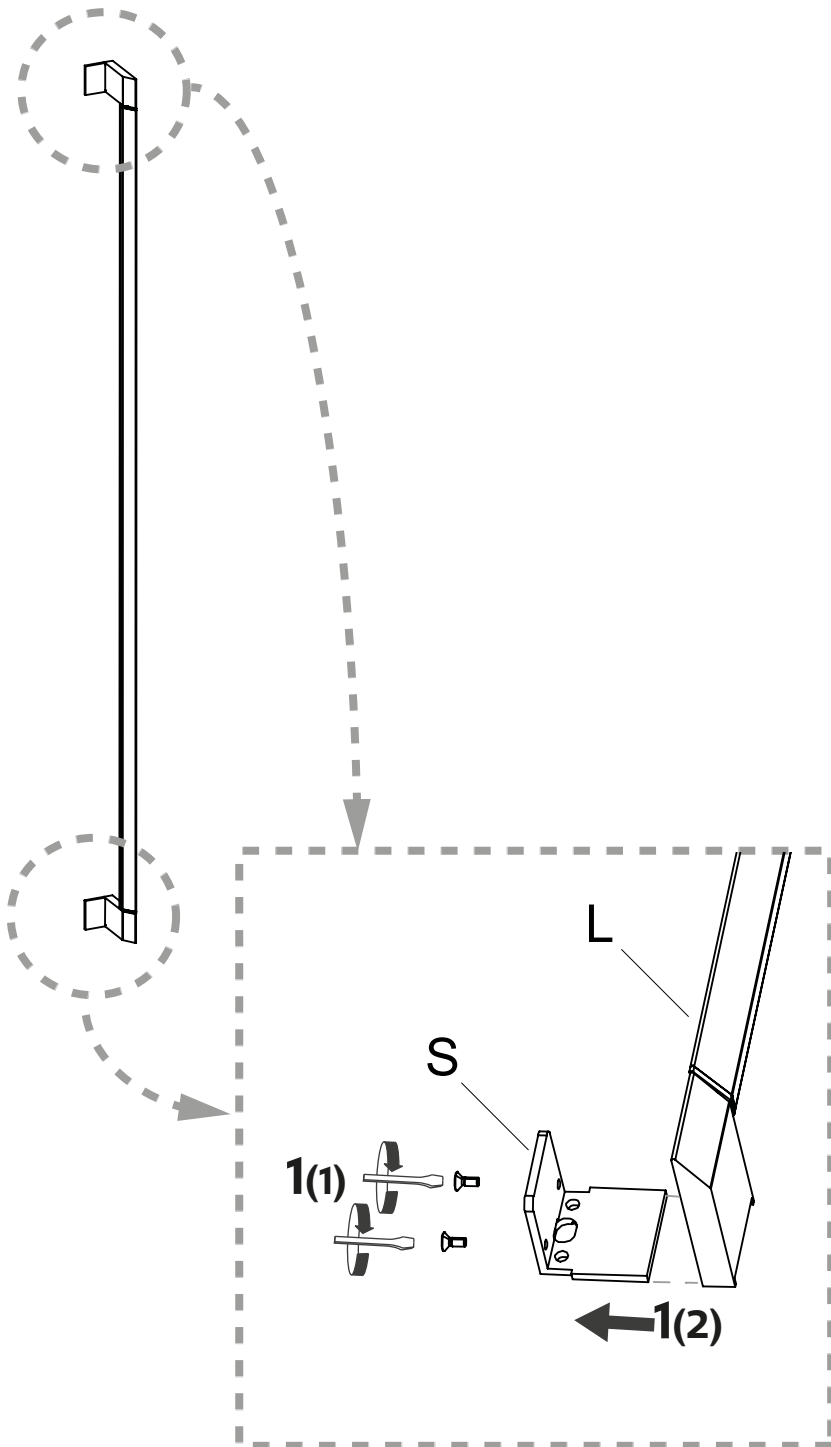


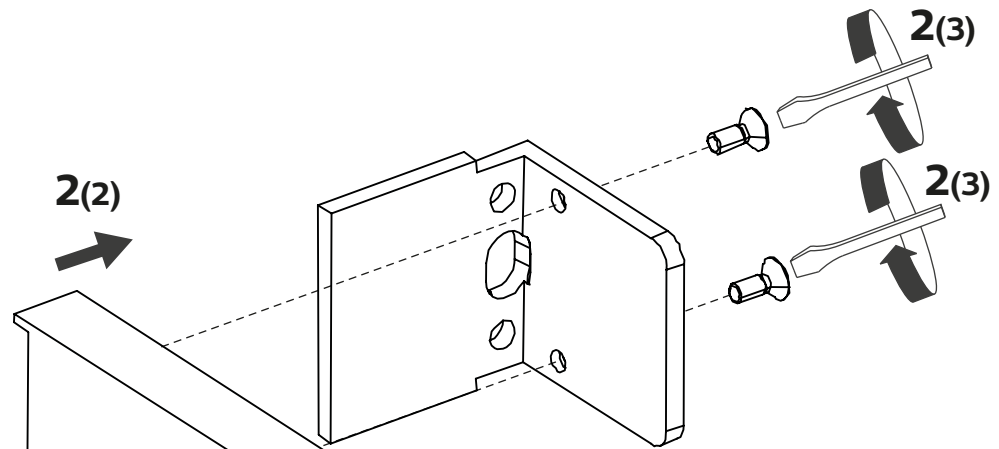
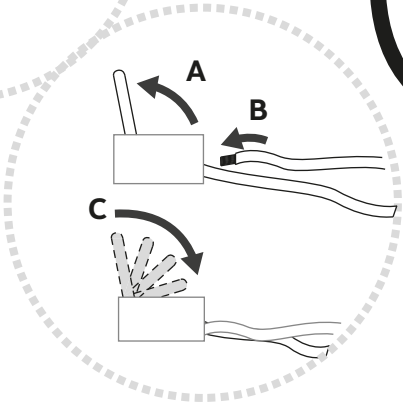
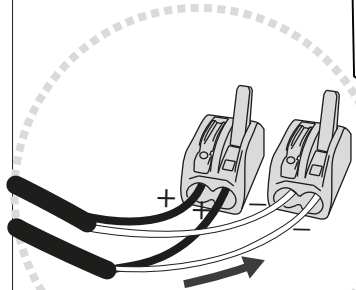
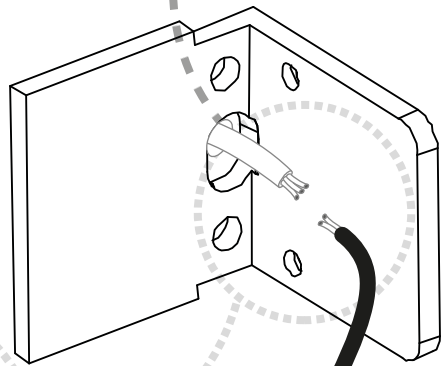
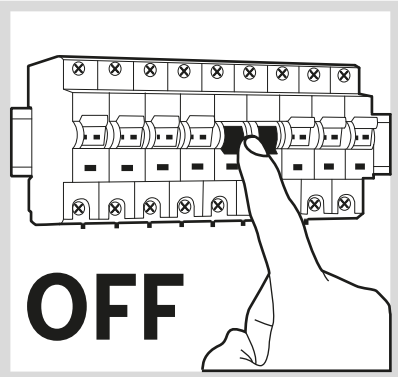
F



W







**2**

