



AC303N1 F06



AC303N1 F25



AC303N1 F40

A - LAMP *corpo lampada* matt black aluminum - *alluminio nero opaco*

ELECTRICAL SYSTEM *disp. elettrico* LED 24V, 3W 373Lm, 3000K

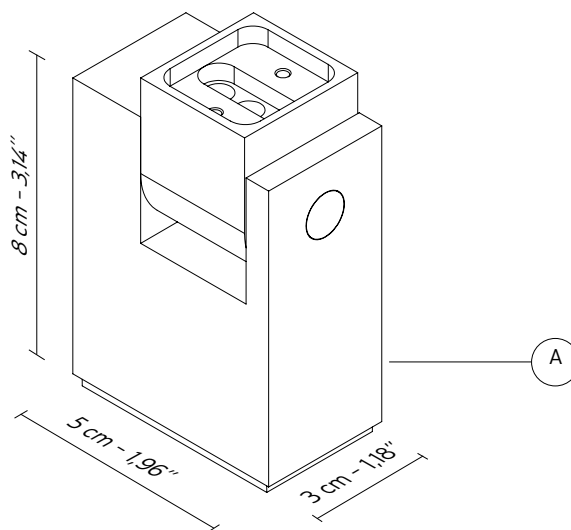
OPTIONAL *accessorio* optional only for AIRTEK ONE collection

PACKAGING *imballo* 15x15x12 cm





NET WEIGHT *peso netto* 0,25 KG

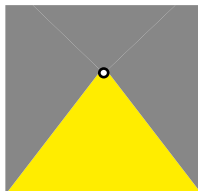
GROSS WEIGHT *peso lordo* 1,2 KG

CERTIFICATION *conformità* IEC 60598-1:2020



EMISSION *emissione* unidirectional - *unidirezionale*

-  direct - *diretta*
-  filtered - *filtrata*
-  indirect - *indiretta*
-  none - *assente*



DRY LOCATION

