

# NANDO wall lamp

Dario De Meo and Luca De Bona design

year 2020

## TECHNICAL SHEET - AP109 60 V11

### STRUCTURE "A"

material metal  
colour gold

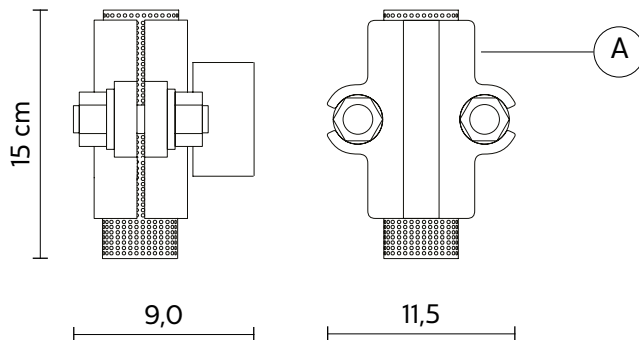


### ELECTRICAL CABLE

source LED 170mA  
5,5W, 600 lumen  
**2700K**  
CRI ≥ 85 classe A+

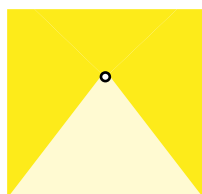
### PACKAGING

nr.of collis 1  
net weight/kg 1,2  
gross weight/kg 1,5  
packaging/cm 21x21x20



### EMISSION OF LIGHT

one directional



### COMPLIANT WITH

IEC 60598-1:2014

### COLLECTION

available also as: suspension

### DRY LOCATION

LED power supply equipped  
equipped



AP1093G V11



AP1093B V11